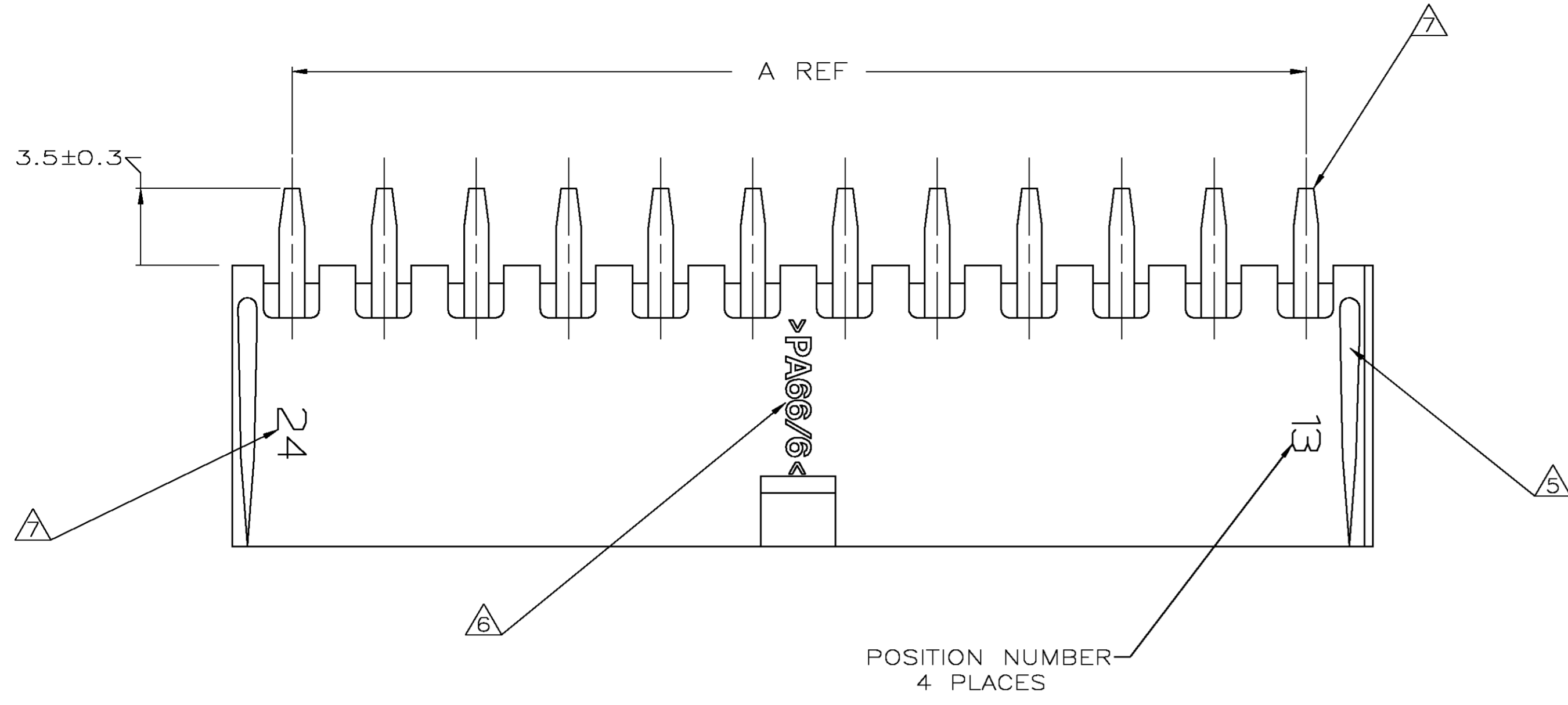
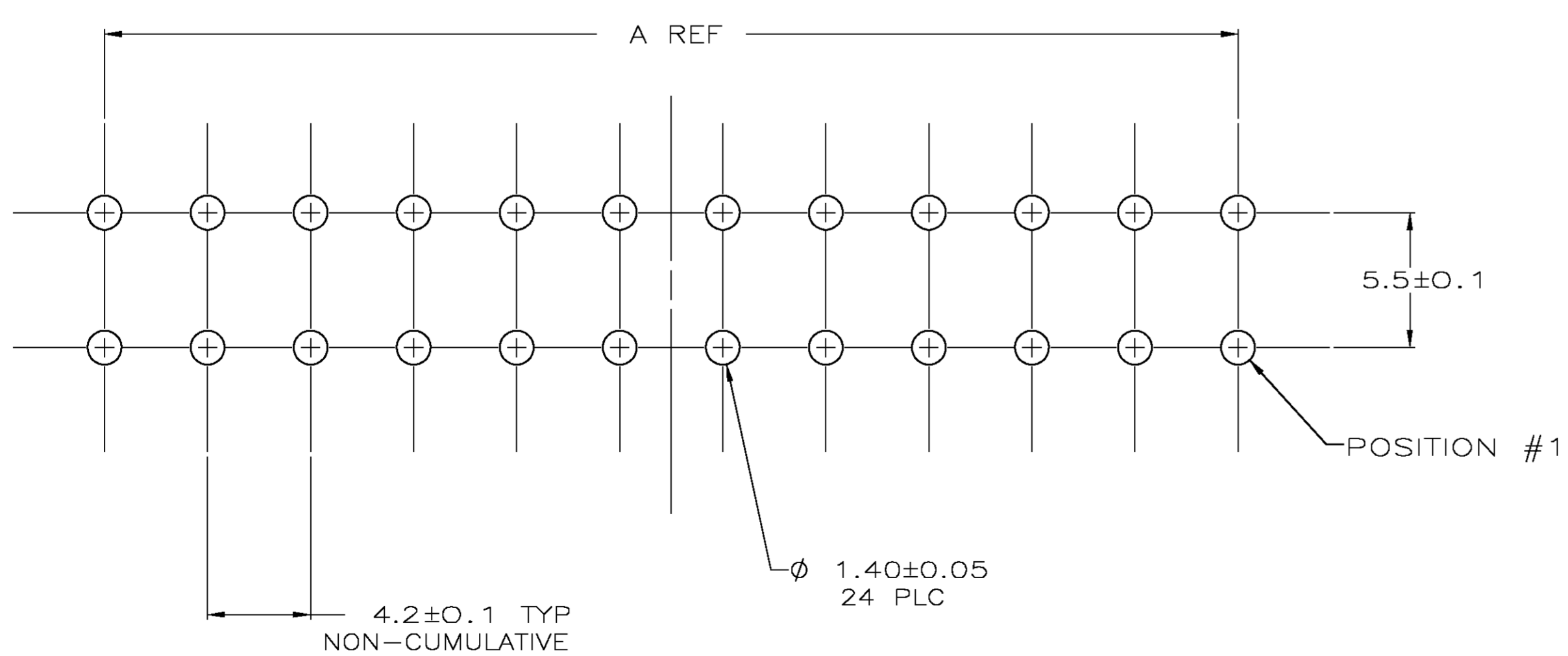
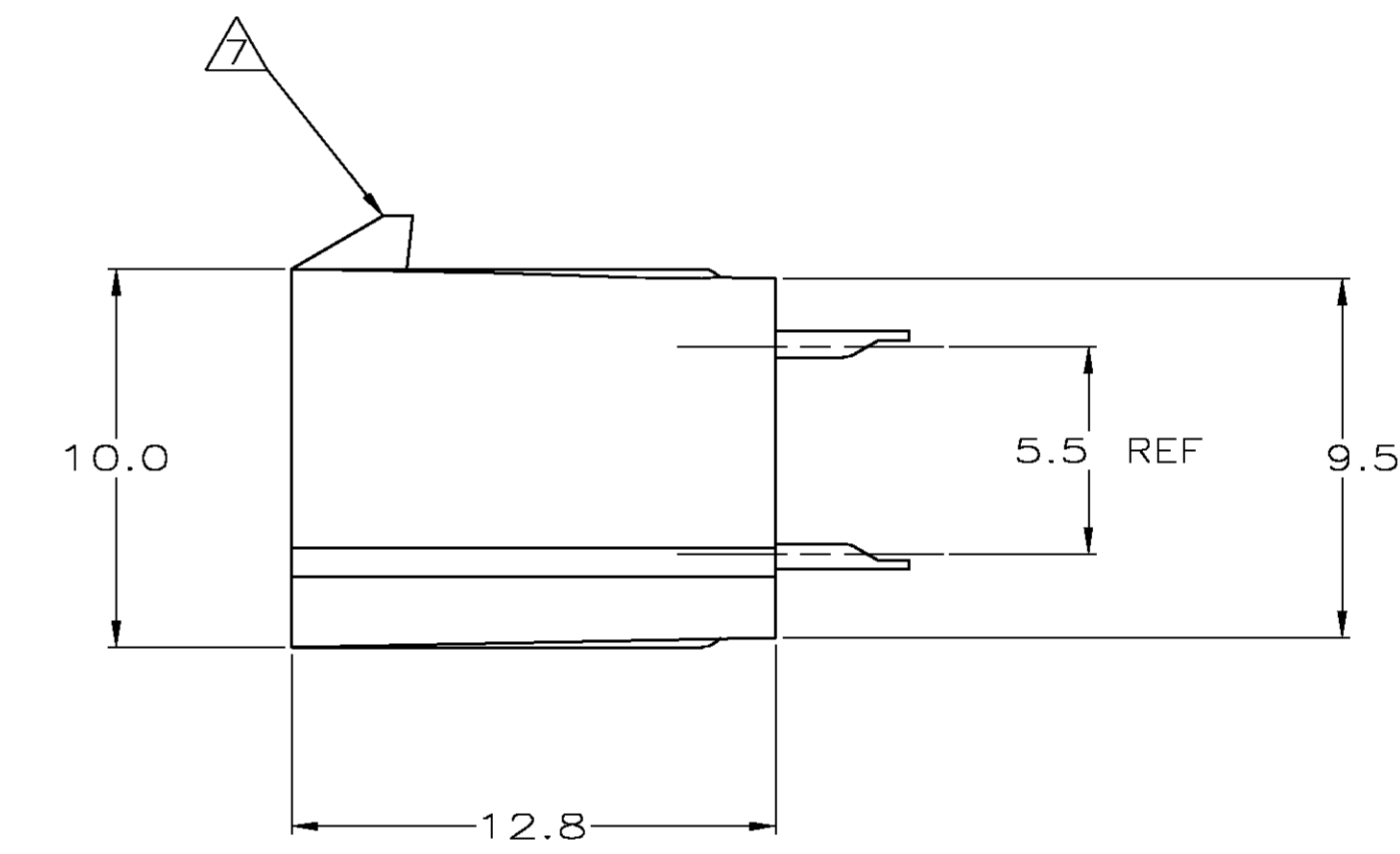
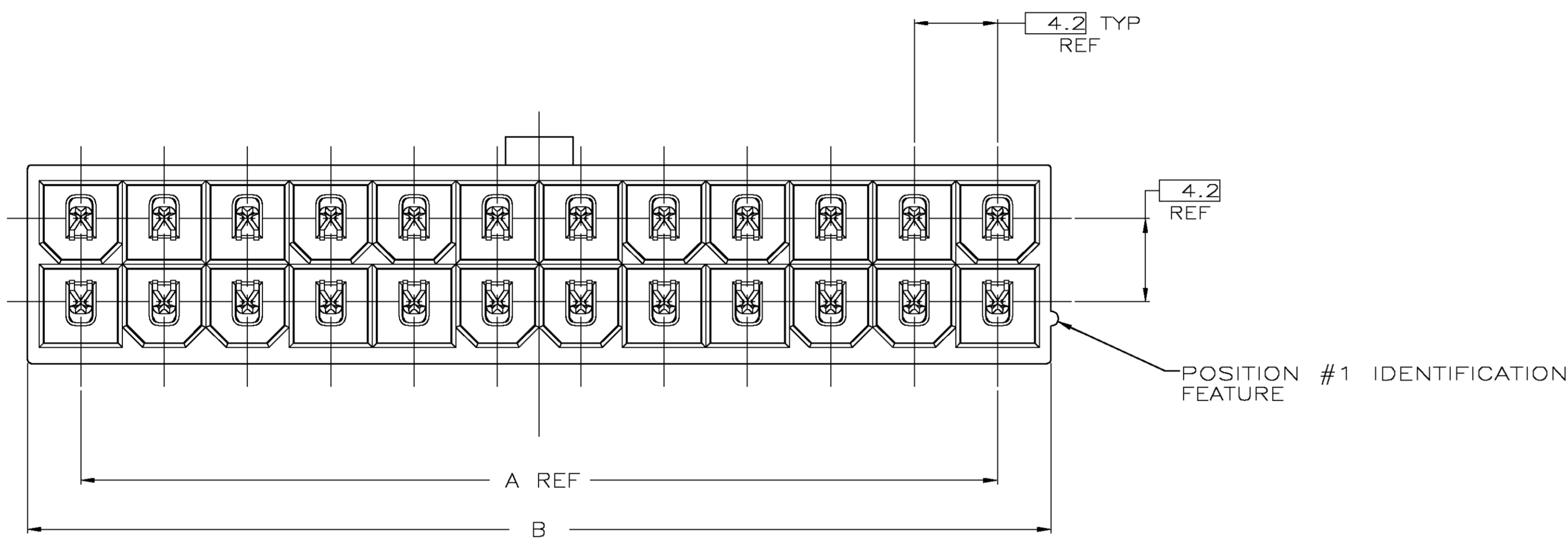


LOC		DIST		REVISIONS			
P	LTR	DESCRIPTION	DATE	DNW	APVD		
0		REVISED PER 0638-1111-04	15JUNE05	KW	SR		



- 1 MATERIAL: HOUSING - NYLON, UL94V-0 (COLOR - WHITE, COLOR OF PARTS MAY VARY). CONTACTS - 0.25 THK COPPER ALLOY.
- 2 CONTACT FINISH: 0.003 MIN THK TIN OVER 0.00127 MIN THK NICKEL OVER ENTIRE CONTACT.
- 3. SOLDER TAIL MEETS AMP SOLDERABILITY SPECIFICATION 109-11-2.
- 4. MATES WITH SIMILARLY PLATED AMP-DUAC™ POWER CONNECTOR RECEPTACLE HOUSINGS/SOCKET CONTACTS.
- 5 RIBS ON FOUR CORNERS OPTIONAL.
- 6 AMP LOGO AND MATERIAL ID MAY BE LOCATED ON EITHER LONG SIDE OF PART.
- 7 SIZE, SHAPE OR STYLE OF THIS FEATURE MAY VARY.



RECOMMENDED MOUNTING HOLE PATTERN FOR 1.78 MAX THICK P.C. BOARD COMPONENT SIDE SHOWN

51.6	46.2	24	2-1586495-4
47.4	42.0	22	2-1586495-2
43.2	37.8	20	2-1586495-0
39.0	33.6	18	1-1586495-8
34.8	29.4	16	1-1586495-6
30.6	25.2	14	1-1586495-4
26.4	21.0	12	1-1586495-2
22.2	16.8	10	1-1586495-0
18.0	12.6	8	1586495-8
13.8	8.4	6	1586495-6
9.6	4.2	4	1586495-4
5.4	0.0	2	1586495-2
B	A	NO. OF POSITIONS	PART NO



THIS DRAWING IS A CONTROLLED DOCUMENT.

DIMENSIONS: mm	TOLERANCES UNLESS OTHERWISE SPECIFIED:	DW: K. WHITAKER 15JUNE2005	APVD: S. RIDGILL 15JUNE2005	NAME: Tyco Electronics Corporation
0 PLC ± -	1 PLC ± 0.2	CHK: S. RIDGILL 15JUNE2005	PRODUCT SPEC: 108-1699	ASSEMBLY, HEADER, VERTICAL, TIN PLATED, W/O PEGS, W/O DRAIN HOLES, 94V-0, AMP-DUAC
1 PLC ± 0.13	2 PLC ± 0.13	APVD: S. RIDGILL 15JUNE2005	APPLICATION SPEC: -	RESTRICTED TO: -
3 PLC ± -	4 PLC ± -	SIZE: A1	DATE CODE: 00779	DRAWING NO: 1586495
ANGLES ± -	FINISH: 2	WEIGHT: -	SCALE: 5:1	SHEET: 1 of 1
MATERIAL: 1		CUSTOMER DRAWING	SCALE: 5:1	SHEET: 1 of 1

Mouser Electronics

Authorized Distributor

Click to View Pricing, Inventory, Delivery & Lifecycle Information:

[TE Connectivity:](#)

[1586495-4](#)