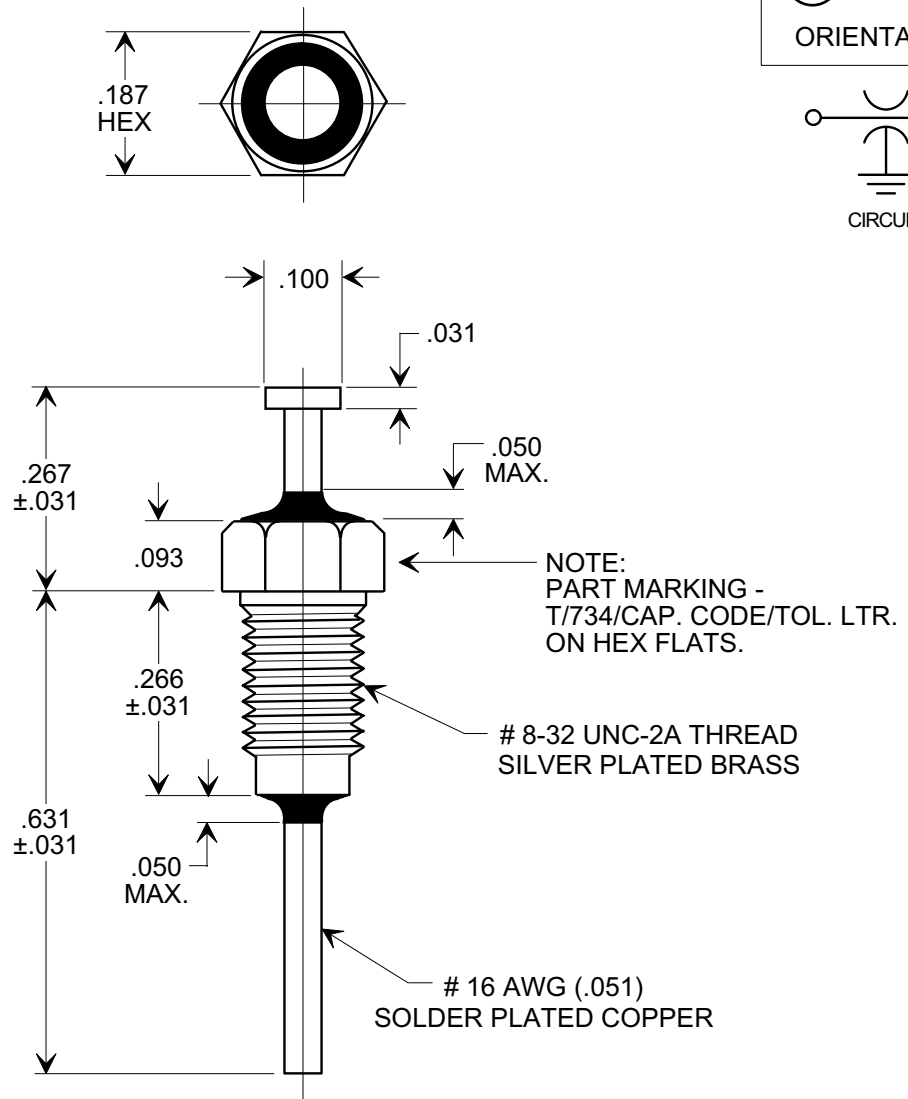
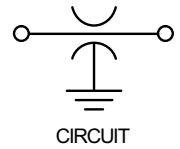
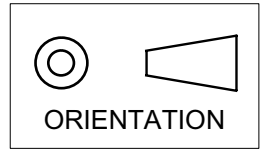


# MARKETING SALES DRAWING

DIMENSIONS IN INCHES - DO NOT SCALE THIS DRAWING

Electrical Testing  
per Tusonix standard  
test plans and Mil-Std-202  
Test Methods.



TUSONIX PART NUMBER	2425-734-X7U0-152Z
CAP. VALUE	1500 pF
CAP. TOL.	+80, -20 %
TEMP. COEF.	X7U
VOLT. RATING	100 VDC +125°C
OPERATING TEMP. RANGE	-55 TO +125°C
TESTED TO TUSONIX EQUIVALENT TO MIL-C39014 FOR GROUP A INSPECTION INCLUDING SUMMARY TEST DATA	

NOTE:  
1. SUPPLIED WITH SILVER PLATED  
HEX NUT AND INTERNAL TOOTH  
LOCK WASHER.

X-2015 Rev-0

REVISION RECORD

0  
Original Release  
C.O. 20000216-2-01

--TOLERANCES--  
Unless Otherwise  
Specified

DECIMAL ± .015

ANGLES ±

**TUSONIX**  
TUCSON, ARIZONA

Title **HI-RELIABILITY  
COMMERCIAL REPLACEMENT  
FOR M39014/18 (CKR76)  
FEED-THRU CAPACITOR**

Drawn S.M. 02-17-00

Scale 4 X

Approved T.C. 02-17-00

**A 2425-734-X7UO-152Z**

# Mouser Electronics

Authorized Distributor

Click to View Pricing, Inventory, Delivery & Lifecycle Information:

[Tusonix / CTS:](#)

[2425-734-X7U0-152Z](#)