

PRODUCT NUMBER
75168-YXX-XXLF

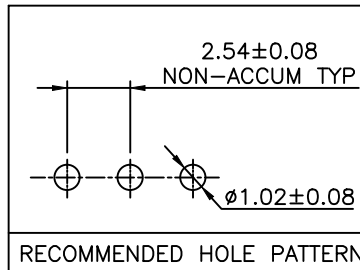
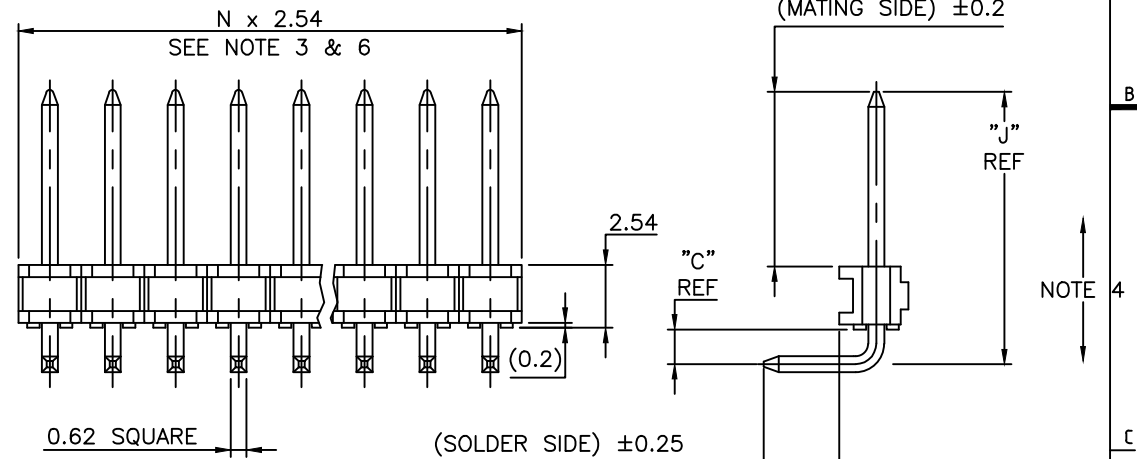
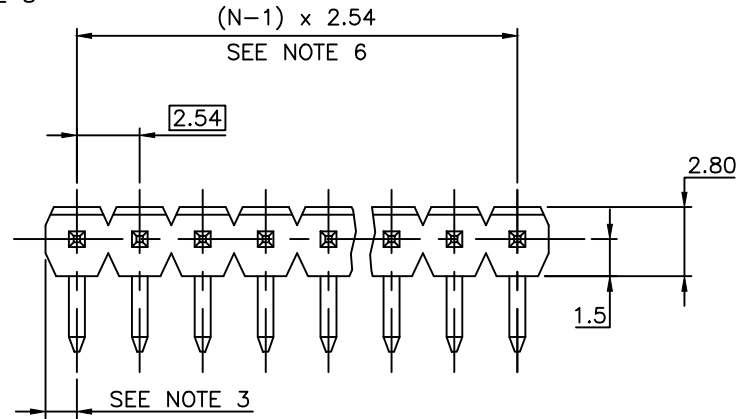
RoHS COMPLIANT & COMPATIBLE, SEE NOTE 8
TOTAL NB OF POSITIONS 02 TO 36
PIN STYLE SEE SHEET 2

PLATING:

- 1 = 0.76µm FULL GOLD/GXT
- 3 = 2µm MIN MATTE TIN FULL PLATED
- 8 = 0.38µm FULL GOLD/GXT
- 1.27µm Ni MIN UNDERPLATING

NOTES:

1. HOUSING MAT'L : HIGH TEMPERATURE THERMOPLASTIC FLAME RETARDANT PER UL94-V0, COLOR BLACK.
2. PIN MATERIAL : PHOSPHOR BRONZE.
3. DIM 1.27^{+0.03}/_{-0.03} FOR MOULDED SIDE(S) ONLY. IF SIDE(S) ARE BROKEN, DIM 1.02 TO 1.7 MAX APPLIES.
4. PIN PUSH OUT FORCE : 12N MIN.
5. PRODUCT PACKAGED IN POLY BAGS.
6. TO DETERMINE DIMENSIONS :
N = NUMBER OF POSITIONS
EXAMPLE : 8 POS N x 2.54 = 20.32mm
7. FOR STANDARD SELECTIVE GOLD PLATED PRODUCTS, SEE DRAWING 77315.
8. RoHS COMPATIBLE PRODUCT SPECIFICATIONS
 - a - "LF" MEANS THE PRODUCT IS LEAD-FREE
 - b - MANUFACTURING PROCESS COMPATIBILITY
 - THE HOUSING WILL WITHSTAND EXPOSURE TO 260°C ±5°C SOLDER BATH TEMPERATURE FOR 5 SECONDS IN A WAVE SOLDER APPLICATION WITH A 1.6mm MIN THICK CIRCUIT BOARD.
 - c - LABELING:
 - MEETS PACKAGING SPECS AS PER GS-14-920
 - d - LEGAL STATEMENT: SEE GS-47-0004



mat'l. code		surface		tolerance		projection		product family	
SEE NOTE 1		ISO 1302 ✓		ISO 406 ISO 1101		mm		BSTIK	
lfr ecn no dr date		tolerances unless otherwise specified		angles		Linear		title	
AG F06-0196 LMU 06.06.20				.x ±0.3		mm		HEADER, SR, RA,	
AH F08-0148 JCO 08.05.27				.xx ±0.15		scale 5:1		POL, 2.54mm	
AJ F12-0042 LMU 12.04.04				.xxx ±0.05		FCJ		dwg no	
AK F12-0802 LMU 12.10.25		dr MULIN L		99.03.29				sheet 1 of 2 size	
AL B-19261 LMU 14.10.31		enrg JMC		99.03.29				75168 A3	
AF F05-0186 LMU 05.05.02		appd JMC		99.03.29				type CUSTOMER Drawing	
sheet index	revision sheet	AL	AG						
	1 2								

APPLICATION SPECIFIC				
PIN STYLE	MATING	SOLDER	"C"	"J"
01	5.72	2.57	1.4	9.65
02	5.72	5.11	1.4	9.65
03	5.72	7.65	1.4	9.65
04	5.72	10.19	1.4	9.65
05	5.72	12.73	1.4	9.65
06	5.72	15.27	1.4	9.65
07	5.72	5.11	3.94	12.19
08	5.72	7.65	3.94	12.19
09	5.72	10.19	3.94	12.19
10	5.72	12.73	3.94	12.19
11	5.72	15.27	3.94	12.19
13	5.72	3.45	1.4	9.65
14	5.72	5.99	3.94	12.19
15	5.72	8.53	6.48	14.73
16	8.51	3	1.4	12.45
17	8.51	5.54	3.94	14.99
19	5.72	3.05	1.4	9.66
20	5.84	2.29	1.4	9.78
21	5.72	11.07	9.02	17.27
22	11.71	3.2	1.4	15.65
23	3	2.94	1.94	7.44
24	4.8	6.16	1.94	9.28
27	3.55	3.3	1.4	7.49
28	10	3.2	1.4	13.94
29	7.30	7.30	1.4	11.24
30	8.10	12.50	1.4	12.04
31	6.70	3.00	1.4	10.64



FCIconnect.com

Copyright FCI

mat'l. code		SEE SHEET 1		surface		ISO 1302 <input checked="" type="checkbox"/> ISO 406 ISO 1101		tolerance		projection		product family	
ltr		ecn no		dr		date		tolerances unless otherwise specified		mm		title	
AG		F12-0802		LMU		12.10.25		angles		linear		HEADER,SR,RA, POL,2.54mm	
AB		F00196		LMU		00.04.19		linear		scale		sheet 2 of - size	
AC		F10167		LMU		01.03.12		dr		MULIN L		99.03.29	
AD		F20116		DLE		02.01.15		enrg		JMC		99.03.29	
AE		F06-0196		LMU		06.06.20		chr		JMC		99.03.29	
AF		F12-0042		LMU		12.04.04		appd		JMC		99.03.29	
sheet index		revision sheet										type CUSTOMER Drawing	

