

IEC Appliance Inlet C14 with Circuit Breaker



Description

- Panel Mount:
Snap-in version, from front side Appliance Inlet, Protection class I, Circuit breaker type TA35,
- Solder terminals or quick connect terminals

Approvals

- VDE Certificate Number: 40017874
- UL File Number: E88880
- CSA File Number: 1249302

Characteristics

- Line switch non-illuminated or illuminated
- Thermal overload protection

References

We recommend for new applications the new type [6135](#)

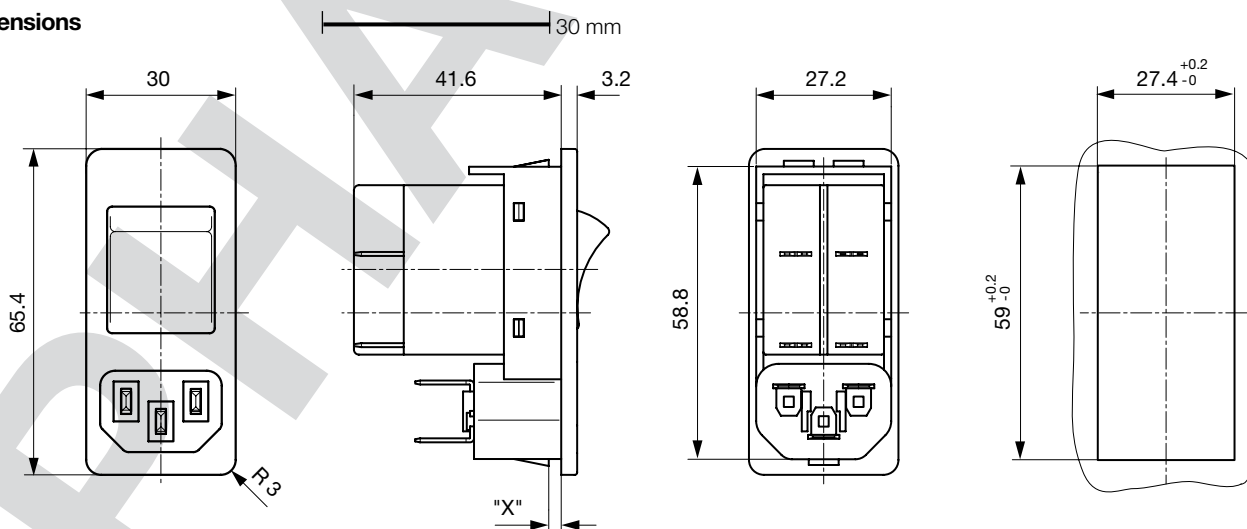
Weblinks

[pdf](#), [html](#), [General Product Information](#), [Approvals](#), [RoHS](#), [CHINA-RoHS](#), [Mating Connectors](#), [e-Shop](#), [SCHURTER-Stock-Check](#), [Distributor-Stock-Check](#), [Accessories](#), [Detailed request for product](#)

Technical Data

Ratings IEC	10A / 250VAC; 50Hz	Appliance Inlet	C14 acc. to IEC/EN 60320-1
Ratings UL/CSA	10A / 250VAC; 60Hz		UL 498, CSA C22.2 no. 42 (for cold conditions) pin-temperature 70 °C, 10A, Protection Class 1
Dielectric Strength	> 4 kVAC between L-N > 2 kVAC between L/N-PE (1 min/50Hz)	Circuit Breakers	2-pole rocker switch, illuminated or non-illuminated.
Allowable Operation Temp.	-25 °C to 70 °C	Line Switch	Rocker switch, non-illuminated black, acc. to IEC 61058-1 Technical Details
Degree of Protection	from front side IP 20 acc. to IEC 60529		
Protection Class	Suitable for appliances with protection class 1 acc. to IEC 61140		
Terminal	Solder terminals or quick connect terminals		
Panel Thickness s	Snap-in: 1.5/2.5 mm		
Material: Housing	PA6, black, UL 94V-0		

Dimensions



Length of the terminal please find at the order code configuration table
Dimension "X" please ref. to table order code

Config. Code

7764 - H - ABCN - D - EGO - I

The characters are placeholders for the correspondingly keys of selections from the key tables.

7764 - H - ABCN - D - EGO - I = Type

Type	Configuration key
protection class 1	X

7764 - H - ABCN - D - EGO - I = Terminals

Terminal L	Configuration key
long solder terminal (L = 8.5 mm)	3
Blade terminal (6.3 x 0.8 mm)	9

7764 - H - ABCN - D - EGO - I = Terminals

Terminal N	Configuration key
long solder terminal (L = 8.5 mm)	3
Blade terminal (6.3 x 0.8 mm)	9

Symbols similar as in table A

7764 - H - ABCN - D - EGO - I = Terminals

Terminal Ground	Configuration key
long solder terminal (L = 8.5 mm)	3
Blade terminal (6.3 x 0.8 mm)	9

Symbols similar as in table A

7764 - H - ABCN - D - EGO - I = Terminal Fuseholder

Terminal Fuseholder	Configuration key
Blade terminal (6.3 x 0.8 mm)	9

7764 - H - ABCN - D - EGO - I = Color

Color	Configuration key
Black	A

7764 - H - ABCN - D - EGO - I = Style

Style	Configuration key
snap-in (x=panel thickness)	4

7764 - H - ABCN - D - EGO - I = Dimension X

Dimension "X"	Configuration key
15	
25	

The dimension "X" is displayed in ($1/_{10}$ mm). This information is also valid for the order code

7764 - H - ABCN - D - EGO - I = Features

Features	Configuration key
thermal circuit breaker for rated current 4A	A
thermal circuit breaker for rated current 6A	B
thermal circuit breaker for rated current 8A	C
thermal circuit breaker for rated current 10A	D
thermal circuit breaker for rated current 15A	E

7764 - H - ABCN - D - EGO - I = Circuit breaker

Circuit breaker	Configuration key
bipolar switch, single pole fuse, 6,3mm blade terminals, black rocker	D
bipolar switch, single pole fuse, 6,3mm blade terminal, rocker red illuminated	E
bipolar switch, single pole fuse, 6,3mm blade terminals, rocker green illuminated	F
bipolar switch, double pole fuse, 6,3mm blade terminals, black rocker	G
bipolar switch, double pole fuse, 6,3mm blade terminals, rocker red illuminated	H
bipolar switch, double pole fuse, 6,3mm blade terminals, rocker green illuminated	I

Variants

Config. Code	Description	Order Number
7764-X-9999-A-425DD	7764, IEC Power Entry Module C14, 70°C, version: 1, L: Blade terminal (6.3 x 0.8 mm), N: Blade terminal (6.3 x 0.8 mm), ground: Blade terminal (6.3 x 0.8 mm), fuseholder: Blade terminal (6.3 x 0.8 mm), color: Black, design: snap-in (x=panel thickness), dimension X: 25, features: thermal circuit breaker for rated current 10A, not used bipolar switch, single pole fuse, 6,3mm blade terminals, black rocker	4304.6109
7764-X-9999-A-425DI	7764, IEC Power Entry Module C14, 70°C, version: 1, L: Blade terminal (6.3 x 0.8 mm), N: Blade terminal (6.3 x 0.8 mm), ground: Blade terminal (6.3 x 0.8 mm), fuseholder: Blade terminal (6.3 x 0.8 mm), color: Black, design: snap-in (x=panel thickness), dimension X: 25, features: thermal circuit breaker for rated current 10A, not used bipolar switch, double pole fuse, 6,3mm blade terminals, rocker green illuminated	4304.6110
7764-X-9999-A-425EI	7764, IEC Power Entry Module C14, 70°C, version: 1, L: Blade terminal (6.3 x 0.8 mm), N: Blade terminal (6.3 x 0.8 mm), ground: Blade terminal (6.3 x 0.8 mm), fuseholder: Blade terminal (6.3 x 0.8 mm), color: Black, design: snap-in (x=panel thickness), dimension X: 25, features: thermal circuit breaker for rated current 15A, not used bipolar switch, double pole fuse, 6,3mm blade terminals, rocker green illuminated	4304.6111

The listed variants should be available from stock Other versions on request www.schurter.com/contact

Packaging unit 50 Pcs

Mating Outlets/Connectors

Category / Description

Appliance Outlet Overview complete



IEC Appliance Outlet F, Screw-on Mounting, Front Side, Solder Terminal	4787
IEC Appliance Outlet F, Snap-in Mounting, Front Side, Solder or Quick-connect Terminal	4788
IEC Appliance Outlet F or H, Screw-on Mounting, Front Side, Solder, PCB or Quick-connect Terminal	5091
IEC Appliance Outlet F or H, Screw-on Mounting, Front Side, Solder or Quick-connect Terminal	5092

[Appliance Outlet further types to7764](#)

Connector Overview complete



IEC Connector C15, Rewireable, Straight	0101
IEC Connector C15A, Rewireable, Straight	0102
IEC Connector C15A, Rewireable, Straight	0102-G
IEC Connector C15A, Rewireable, Angled	0112
IEC Connector C13, Rewireable, Angled	4012

[Connector further types to7764](#)

Power Cord Overview complete



Power Cord with IEC Connector C13, Angled	0311
Power Cord with IEC Connector C13, Angled	3011
Power Cord with IEC Connector C13, Angled	3012
Power Cord with IEC Connector C13, Angled	3013
Power Cord with IEC Connector C13	3020

[Power Cord further types to7764](#)

PHASSE

Mouser Electronics

Authorized Distributor

Click to View Pricing, Inventory, Delivery & Lifecycle Information:

Schurter:

[4304.6109](#) [4304.6111](#) [4304.611](#) [4304.6110](#)