

THIS DRAWING IS UNPUBLISHED.
DIFFUSION RESTREINTE AMP

RELEASED FOR PUBLICATION
LIBRE A LA DIFFUSION

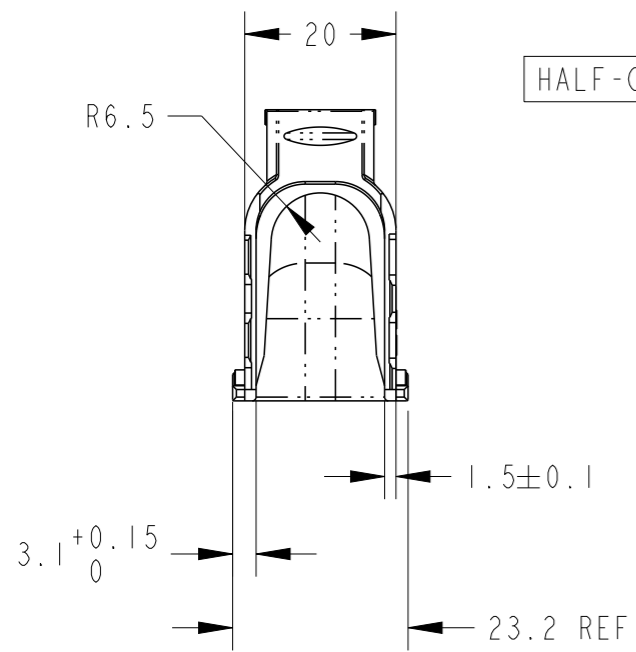
20

© COPYRIGHT 1997 BY -

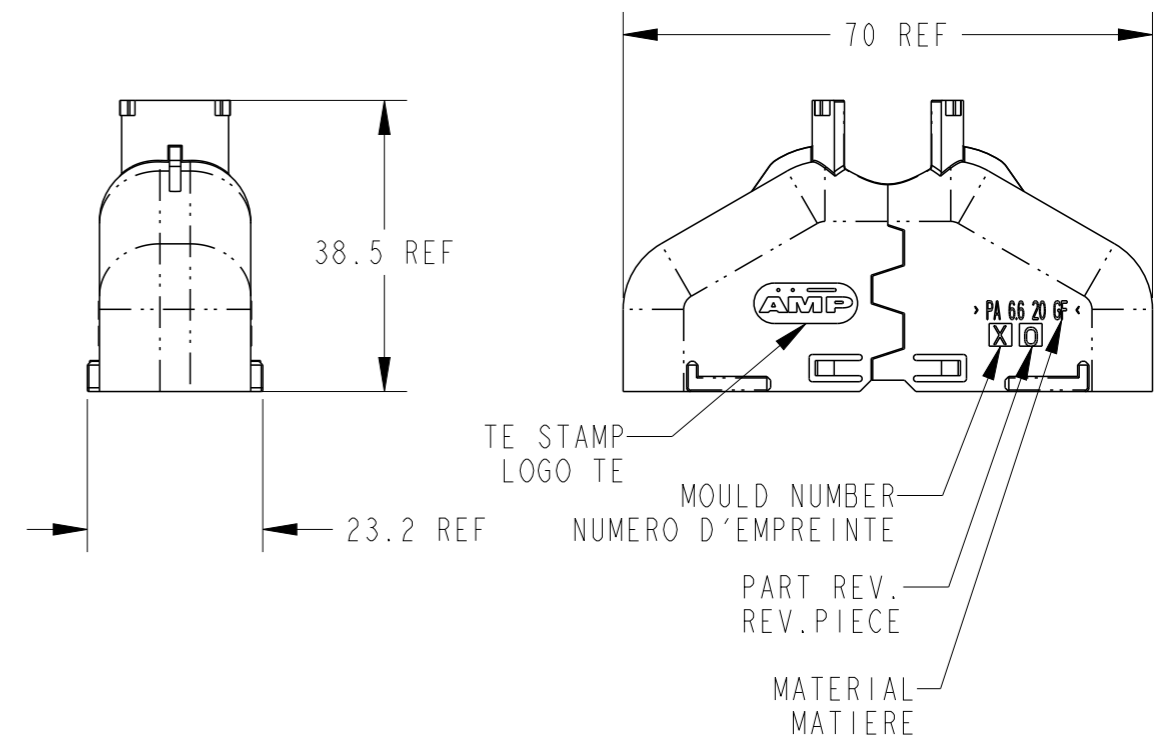
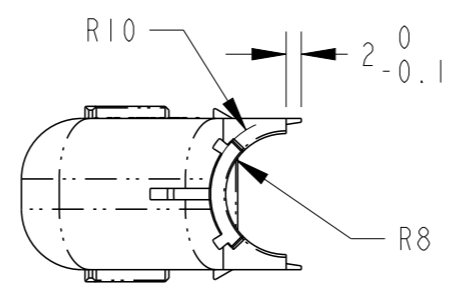
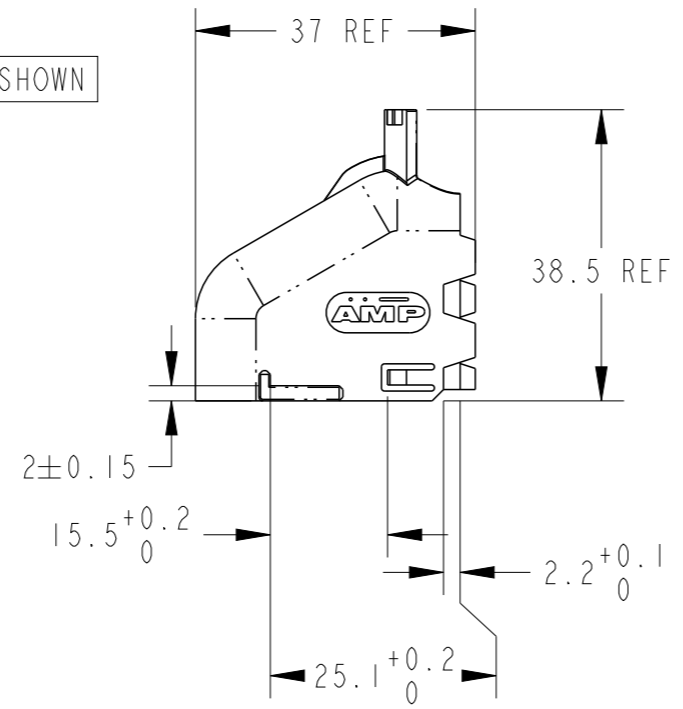
ALL RIGHTS RESERVED.
TOUS DROITS RESERVES

REVISIONS

P	LTR REV	DESCRIPTION MODIFICATIONS	DATE	DWN DESS.	APVD APP.
	A	PA 66 20% FV WAS PA 66 25% FV	21SEPI998	RB	-
	B	TOLERANCE ON DIM 1.5	15JUN2000	DB	JJR
	C	REMOVE DIM TO AVOID REDUNDANCY DIMENSION	29MAR2010	DB	JJR
	D	CLARIFICATION OF NET WEIGHT	24FEB2016	DB	XR



HALF-COVER AS SHOWN



1 A UNIT = 953040-2 = 1 HALF-COVER.
A PAIR = 953040-1 = 2 HALF-COVERS.

* : NET WEIGHT FOR 1 PN 953040-1

UNE UNITE CORRESPOND A : voir ci-contre
UNE PAIRE DE DEMI-CAPOT : voir ci-contre

COMPONENT	QTY	2	BLACK	PA66 20% GF	VERTICAL COVER
			COLOR	MATERIAL	DESIGNATION
953040-X		MAX ADMISSIBLE STRAND			
-3	-2	-1	Ø 16 mm		

QTE COMPOSANT	2	NOIR	PA66 20% FV	CAPOT VERTICAL
		COULEUR	MATIERE	DESIGNATION
953040-X		TORON MAXI ADMISSIBLE		
-3	-2	-1	Ø 16 mm	

THIS DRAWING IS A CONTROLLED DOCUMENT.
CE PLAN EST UN DOCUMENT CONTROLE PAR AMP INCORPORATED.
IL EST SUSCEPTIBLE D'ETRE REVISE. CONTACTER LE SERVICE
TECHNIQUE D'AMP DE FRANCE POUR OBTENIR LA DERNIERE REVISION.

DIMENSIONS: mm

TOLERANCES UNLESS OTHERWISE SPECIFIED:
TOLERANCES NON SPECIFIEES (SUIV NB DE DECIMALES):

±0.2
±0.2
±0.2
±0.2
±0.2

ANGLES ±5°

FINISH FINITION

MATERIAL MATIERE

SEE TABLE

DWN/DESSINE 03JUL1997
D.COQUELET

CHK/VERIFIE 05JUN2000
JP.PICAUD

APVD/APPROUVE 05JUN2000
JJ.REV11

PRODUCT SPEC SPEC, PRODUIT
108-15172

APPLICATION SPEC SPEC, APPLICATION
411-15599

WEIGHT MASSE APPROX. 9.8g *

STE TE Connectivity

NAME TITRE
VERTICAL COVER,
31 WAYS HYBRID TIMER CONNECTEUR

SIZE FORMAT A3

CAGE CODE 00779

DRAWING NO No PLAN
C=953040

RESTRICTED TO RESERVE A -

CUSTOMER DRAWING /PLAN CLIENT

UNIQUEMENT POUR REFERENCE

SCALE ECHELLE 1:1

SHEET FEUILLE 1 OF DE 1

REV D

Mouser Electronics

Authorized Distributor

Click to View Pricing, Inventory, Delivery & Lifecycle Information:

[TE Connectivity:](#)

[953040-1](#)