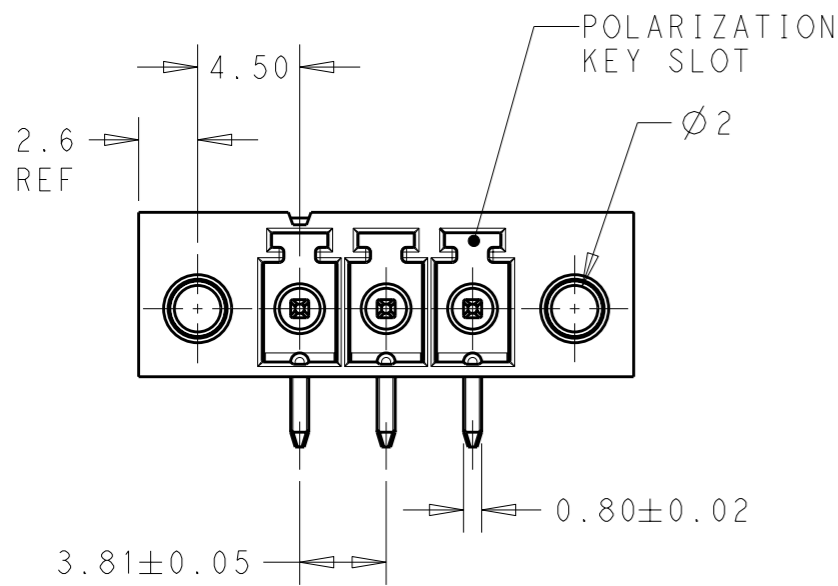
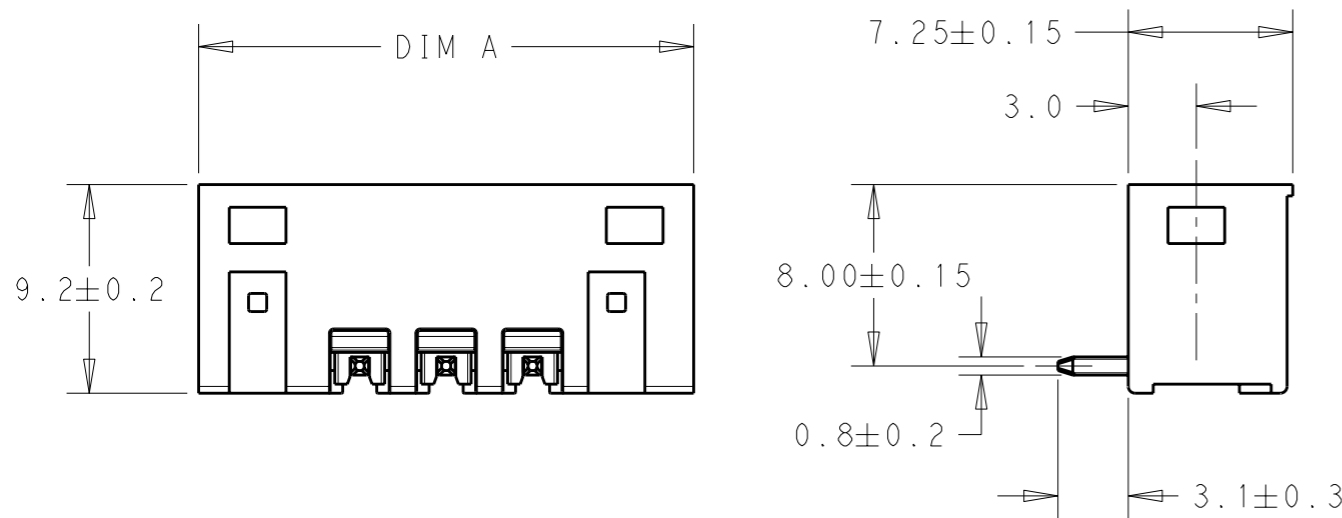


THIS DRAWING IS UNPUBLISHED. RELEASED FOR PUBLICATION 20
 © COPYRIGHT 20 BY TYCO ELECTRONICS CORPORATION. ALL INTERNATIONAL RIGHTS RESERVED.

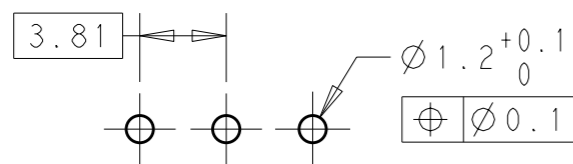
LOC	DIST	REVISIONS				
P	LTR	DESCRIPTION	DATE	DWN	APVD	
-	-	01	REVISED PER ECO-09-027788	07JAN2010	SS	CR



- 1 MATERIALS AND FINISH:
 HOUSING: HIGH TEMPERATURE POLYAMIDE, UL94V-0,
 COLOR: BLACK.
 TERMINAL: PHOSPHOR BRONZE, TIN PLATED.
- 2. CONNECTED ASSEMBLY INCLUDES 2 SQUARE NUTS
 LOADED IN CAVITY.
- 3. SUITABLE FOR 1.6-2.4mm PC BOARD THICKNESS.
- 4. UL RATING: 300V, 11A.



56.11	12	1-1776137-2
52.30	11	1-1776137-1
48.49	10	1-1776137-0
44.68	9	1776137-9
40.87	8	1776137-8
37.06	7	1776137-7
33.25	6	1776137-6
29.44	5	1776137-5
25.63	4	1776137-4
21.82	3	1776137-3
18.01	2	1776137-2
DIM A	NO OF POS.	PART NUMBER



RECOMMENDED PC BOARD LAYOUT

<small>THIS DRAWING IS A CONTROLLED DOCUMENT FOR TYCO ELECTRONICS CORPORATION IT IS SUBJECT TO CHANGE AND THE CONTROLLING ENGINEERING ORGANIZATION SHOULD BE CONTACTED FOR THE LATEST REVISION.</small>		DWN 07JAN2010 S. SCHLEGEL CHK 07JAN2010 C RICHARD APVD 07JAN2010 C RICHARD		Tyco Electronics Harrisburg, PA 17105-3608	
DIMENSIONS: mm		TOLERANCES UNLESS OTHERWISE SPECIFIED: 0 PLC ±- 1 PLC ±0.3 2 PLC ±0.25 3 PLC ±- 4 PLC ±- ANGLES ±2		NAME TERMINAL BLOCK HEADER ASSEMBLY, 90 DEGREES, W/ THREADED FLG, 3.81mm PITCH	
MATERIAL - 1		FINISH - 1		PRODUCT SPEC - APPLICATION SPEC - WEIGHT -	
CUSTOMER DRAWING				SIZE A3 CAGE CODE 00779 DRAWING NO C-1776137	RESTRICTED TO -
SCALE 3:1				SHEET 1 OF 1	REV 01

Mouser Electronics

Authorized Distributor

Click to View Pricing, Inventory, Delivery & Lifecycle Information:

[TE Connectivity:](#)

[1776137-4](#)