

产品概览

NCP6924: 6 通道功率管理集成电路 (PMIC), 带 2 个 DC-DC 转换器和 4 个 LDO

欲看完整文档, 请参阅数据表。



NCP6924 属于安森美半导体的微功率管理集成电路系列。它经过了优化, 可提供电池供电的便携应用子系统, 如摄像头模块、微处理器或任何外围设备。此器件集成了两个带 DVS (动态电压缩放) 的高能效 1000 mA 步降 DC-DC 转换器和四个低漏 (LDO) 稳压器, 采用 WLCSP-30 2.46 x 2.06mm 封装。

特性

- Very small package 2.46 x 2.06 mm
- Ultra low quiescent current (105 uA typ)
- I2C accessible prior enabling device allowing to change settings before powering up the system
- Two DC-DC converters, efficiency 95%, programmable output voltage from 0.6 V to 3.3 V by 12.5 mV steps, 1000 mA output current capability
- Four low noise, low dropout regulators, programmable output voltage from 1.0 V to 3.3 V by 50 mV steps, 2 x 150 mA and 2 x 300mA output current capability, 50 uVrms typical low output noise

应用

- Battery powered applications power management
- Power supply for processors with low core voltage
- Camera modules
- Peripheral sub-systems
- USB powered devices

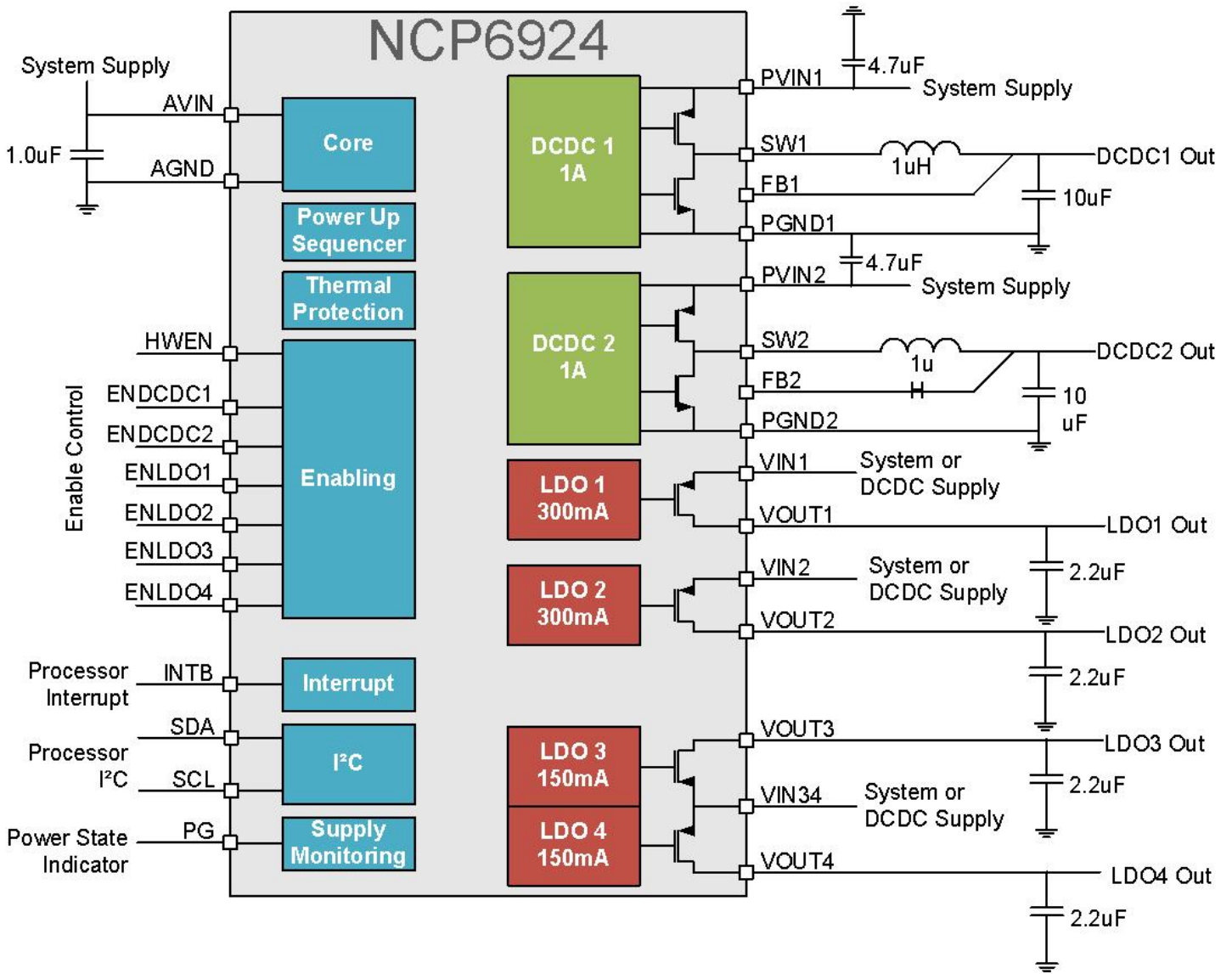
优势

- Reduce PCB space
- Save battery life
- Offer design flexibility

终端产品

- Smartphones
- Tablets
- Wearable devices
- MP3 players

应用框图



欲了解更多信息，请联系您当地的销售支援 www.onsemi.cn。

创建于：4/4/2020