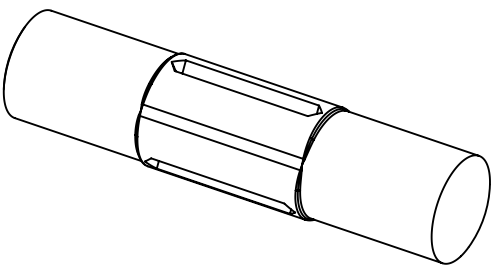
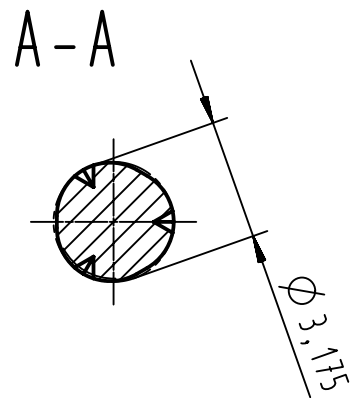
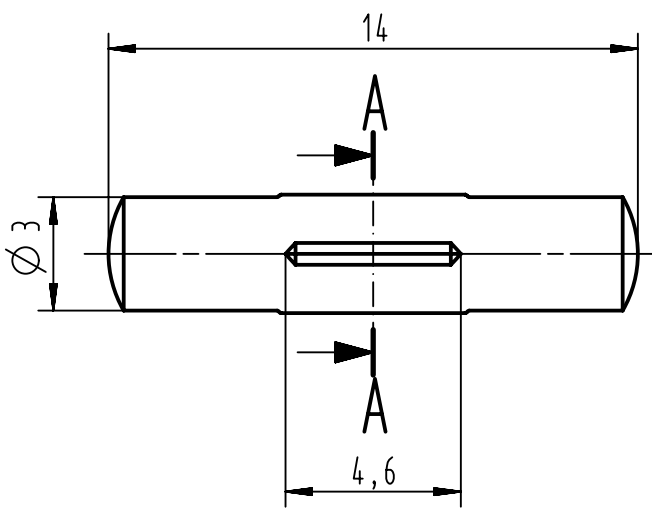



A

B

C

D



	All rights reserved Department EL PD - DE HARTING Electric GmbH & Co. KG D-32339 Espelkamp	All Dimensions in mm Original Size DIN A4		Scale 5:1	Free size tol.	Ref. Sub.
		Created by SPREENB	Inspected by SCHNIEDER	Standardisation TIEMANNA	Date 2013-04-26	State Final Release
Title Han Coding System Groove Pin, red 3x14 f						Doc-Key / ECM-Nr. 100511159/UGD/000/B 500000061559
Type TB				Number 09 33 000 9915		Rev. B
						Page 1/1

Mouser Electronics

Authorized Distributor

Click to View Pricing, Inventory, Delivery & Lifecycle Information:

[HARTING:](#)

[09330009915](#)