

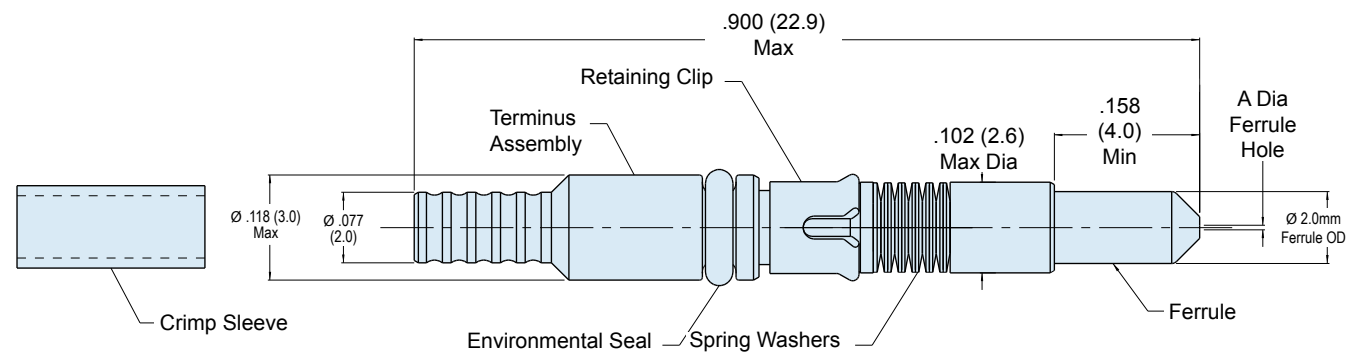
181-039
M29504/14
Size 16 MIL-PRF-28876 Type Fiber Optic Pin Terminus



Size 16 M29504/14 Fiber Optic Pin Terminus for MIL-PRF-28876 Connectors



| Part Number | ØA (Microns) | Fiber Type | Fiber Size Core/Cladding (Microns) | Mil-Spec Part Number (Reference) |
|--------------------------------------|--------------|-------------|------------------------------------|----------------------------------|
| 181-039-1250C | 125.0 | Single Mode | 9/125 | M29504/14-4140C |
| 181-039-1255C | 125.5 | Single Mode | 9/125 | N/A |
| 181-039-1260C | 126.0 | Single Mode | 9/125 | M29504/14-4141C |
| | | Multi Mode | 50/125, 62.5/125 | M29504/14-4131C |
| 181-039-1270C | 127.0 | Multi Mode | 50/125, 62.5/125 | M29504/14-4132C |
| 181-039-1420C | 142.0 | Multi Mode | 100/140 | M29504/14-4135C |
| Consult factory for additional sizes | | | | |



| Tools and Accessories | |
|-----------------------|--|
| Part Number | Terminus Accessory |
| 265-008 | Crimp Sleeve Ø2.4mm Max Jacket (Mil-Spec Type) |

Material and Finish

Ferrule: Zirconia Ceramic
 Terminus Assembly: Stainless Steel/ Passivate
 Retaining Clip, Spring Washers: Spring Alloy
 Seal: Fluorosilicone
 Crimp Sleeve: Brass Alloy/Nickel

Notes

Crimp sleeve is supplied with terminus assembly and may be ordered separately (see Table II). For terminus less crimp sleeve, omit **C** from end of part number.

Assembly

See Glenair GAP-036 for termination procedure and assembly tools.
 Dummy terminus part number: 181-051

Mouser Electronics

Authorized Distributor

Click to View Pricing, Inventory, Delivery & Lifecycle Information:

[Glenair:](#)

[181-039-1260C](#) [181-039-1260](#)