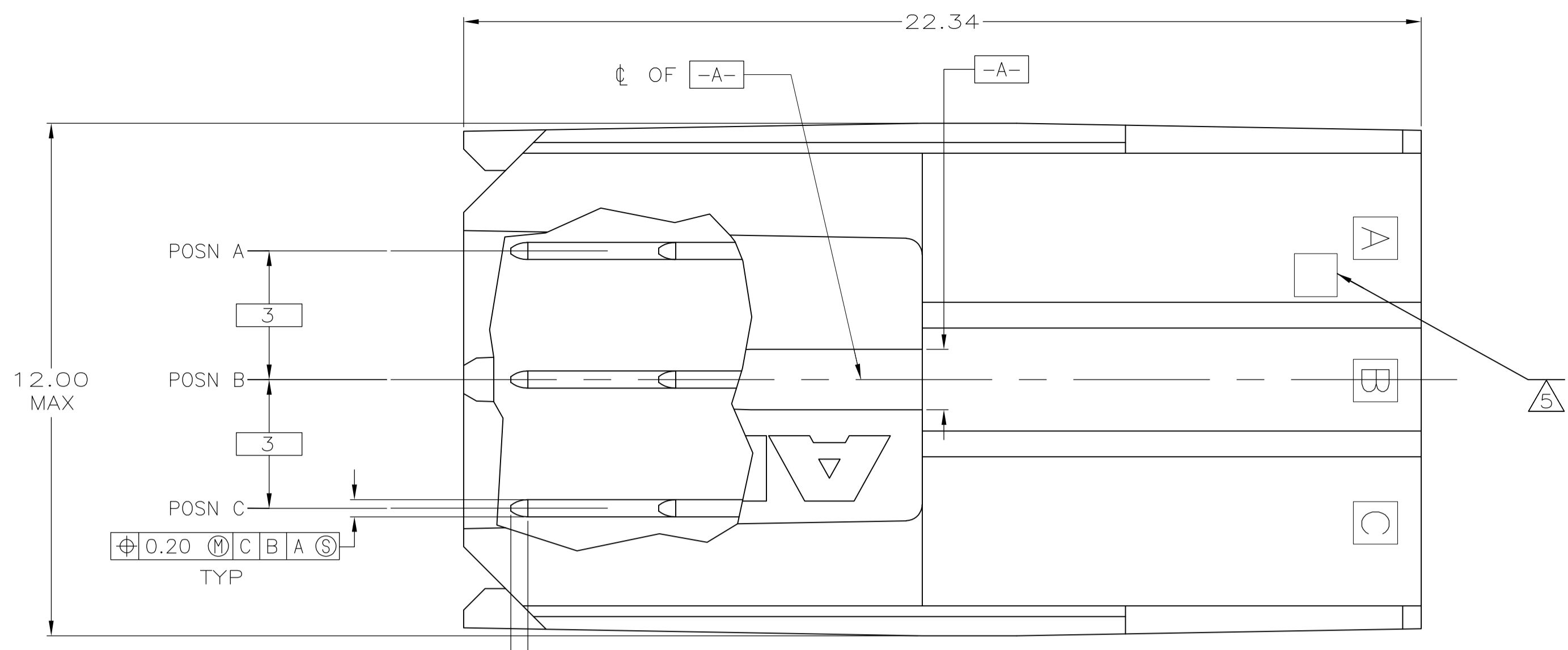
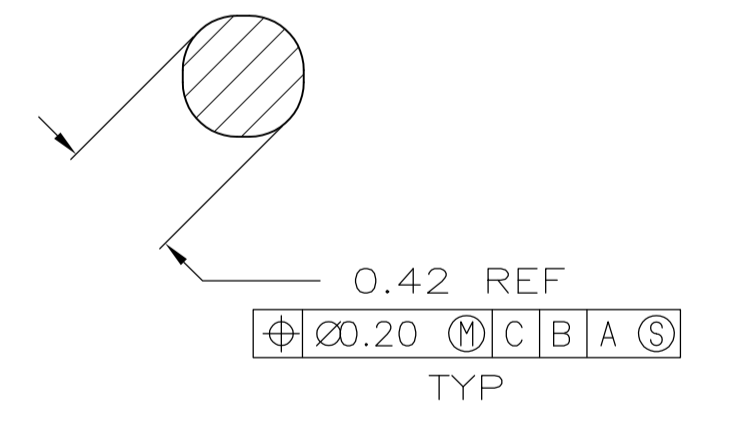
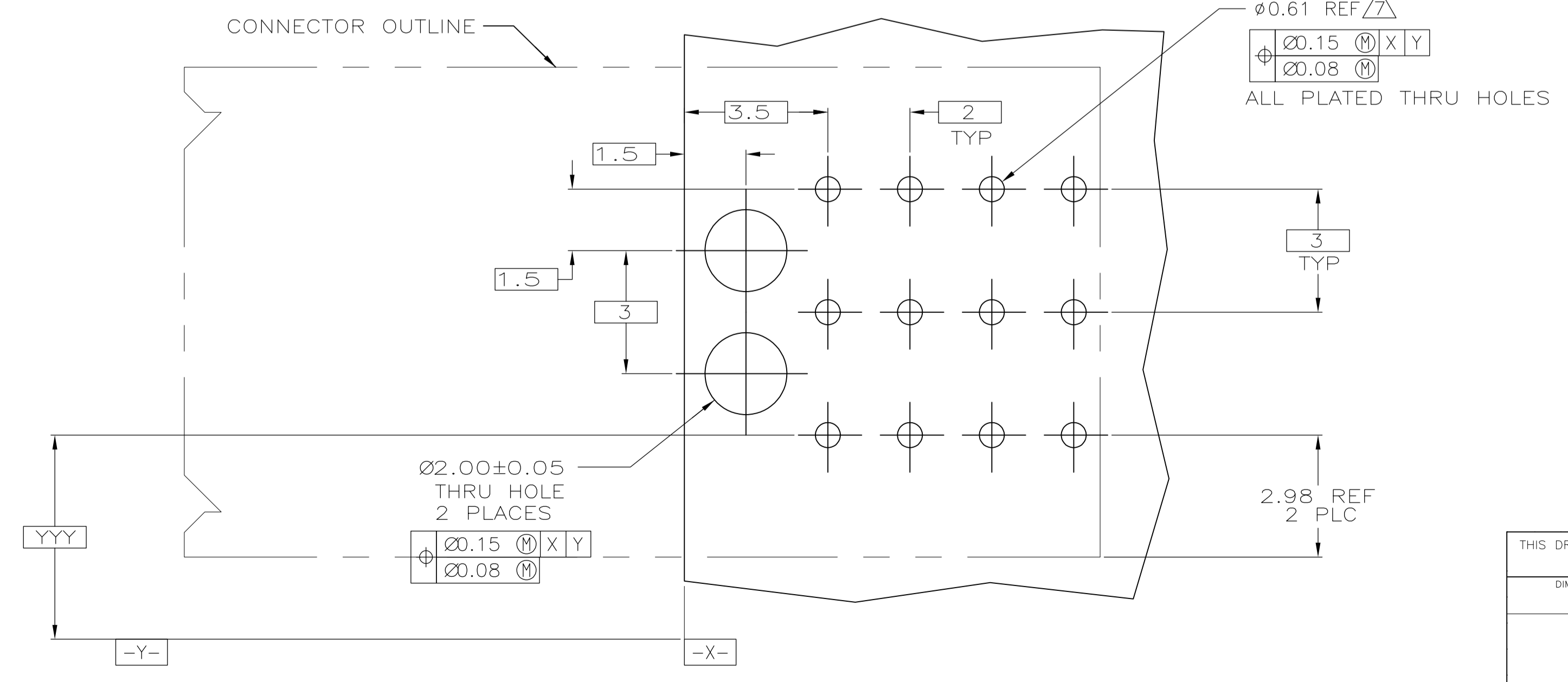
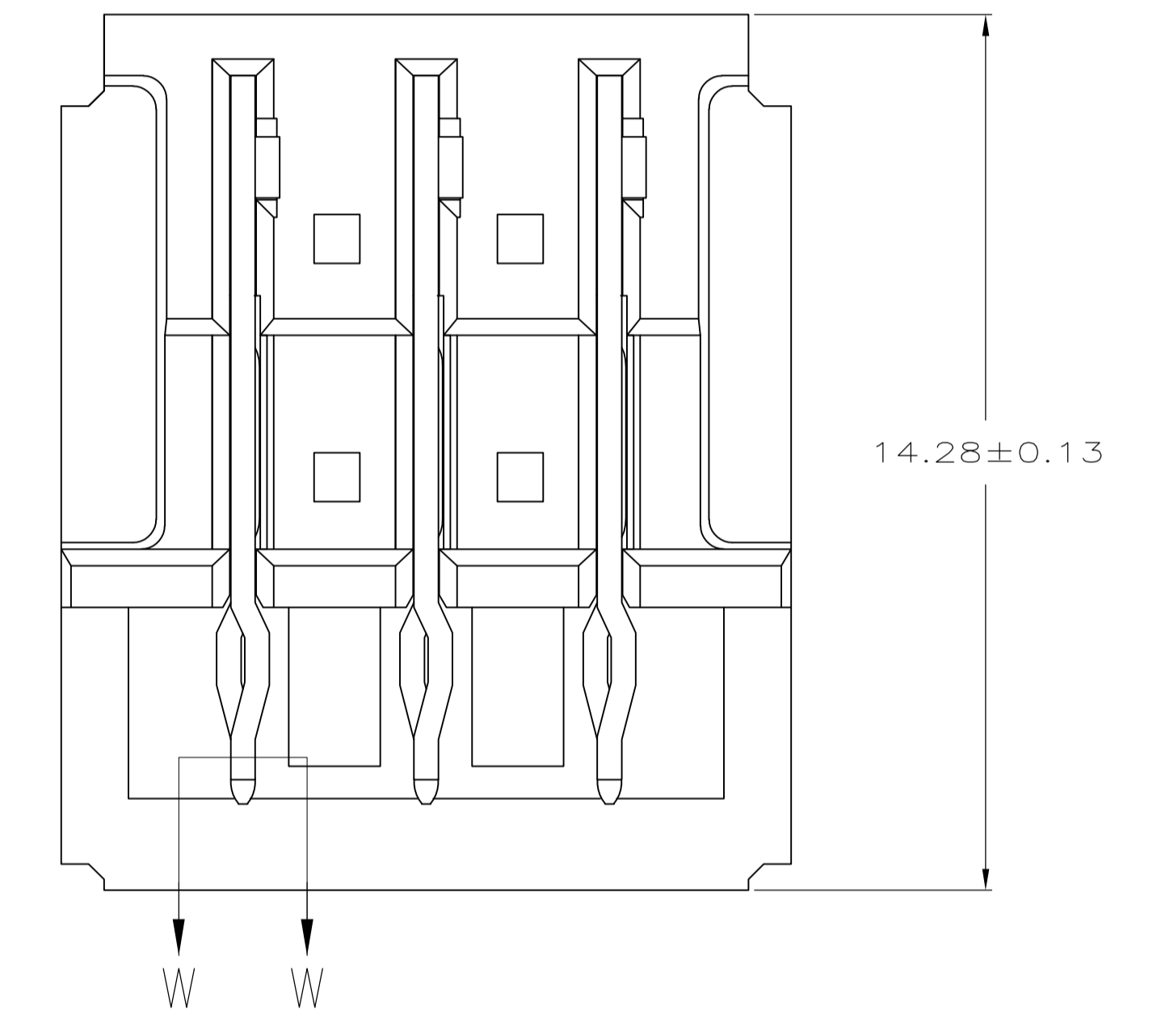
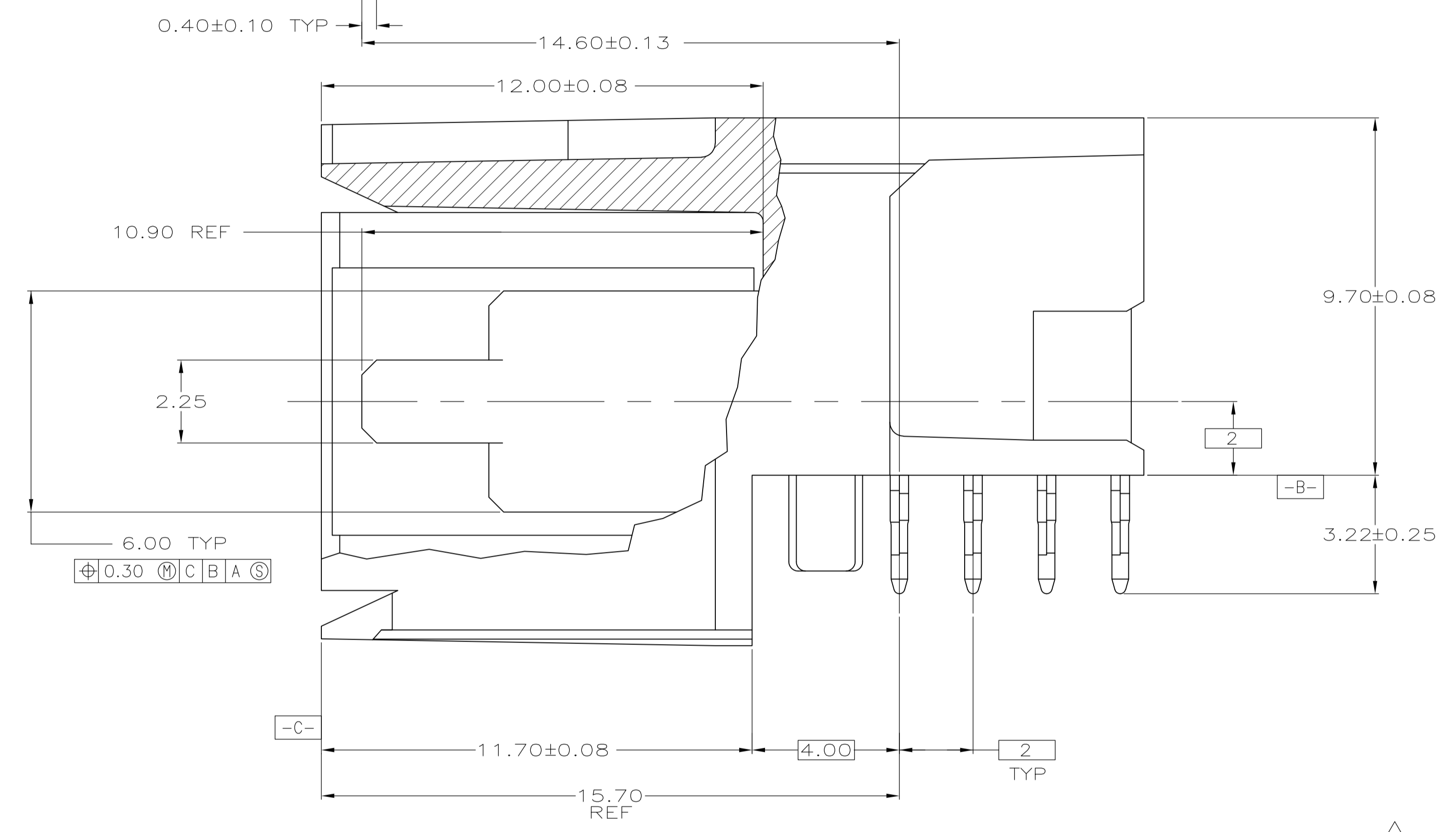
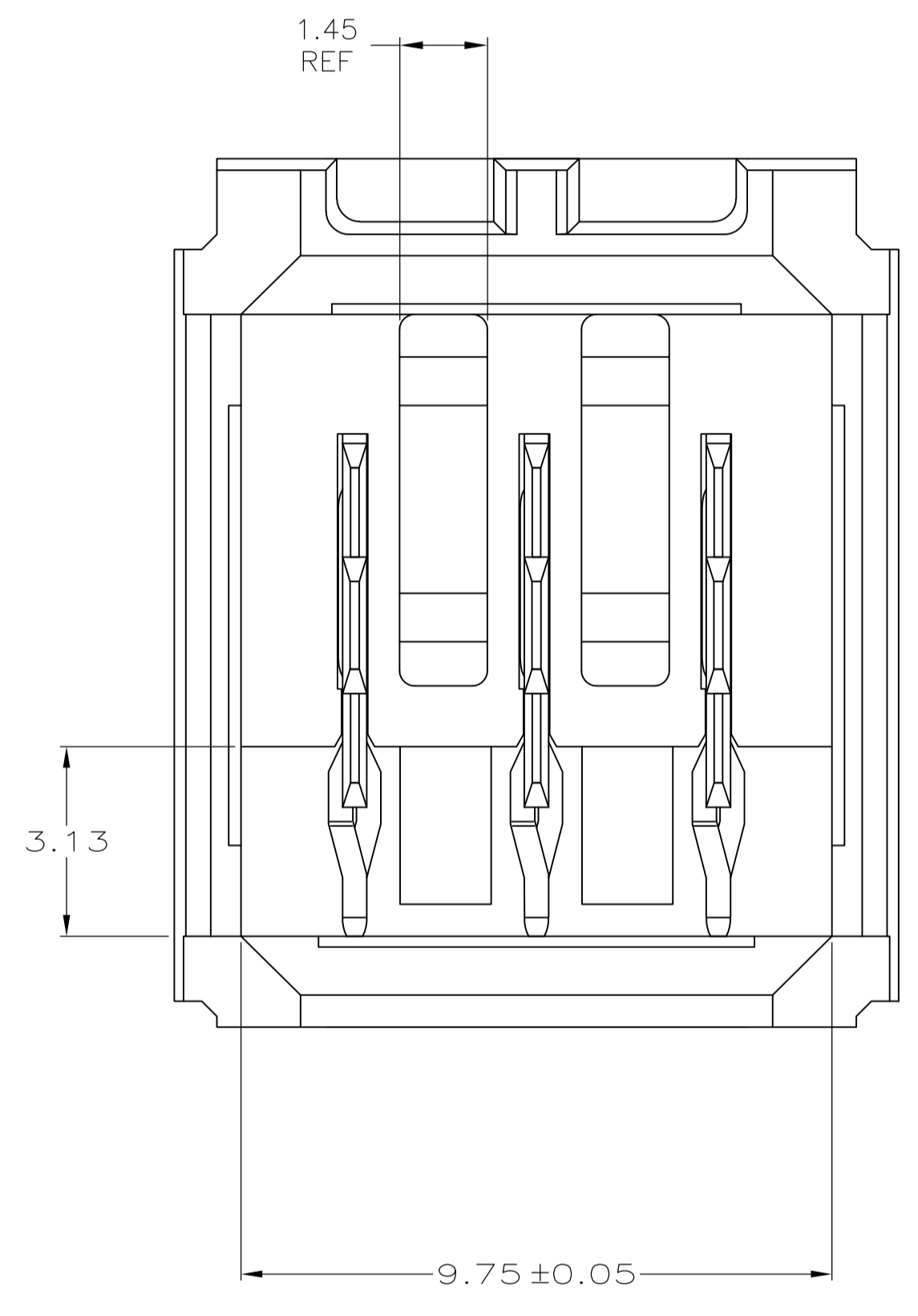


LOC		DIST		REVISIONS			
AD	00	REV	DATE	BY	APPV	DATE	BY
R		REVISED PER	ECO-11-000045	04JAN11	DH	DY	



- 1 MATERIAL: HOUSING: POLYESTER. COLOR: GRAY. UL 94V-0. CONTACT: PHOSPHOR BRONZE.
- 2 FINISH: CONTACT MATING AREA: 1.27µm MIN GOLD OR 0.08µm MIN GOLD OVER 0.76µm MIN PALLADIUM-NICKEL. ACTION PIN AREA: 0.5µm MIN TIN-LEAD PLATE, ALL OVER 1.27µm MIN NICKEL UNDERPLATE.
- 3 FINISH: CONTACT LUBRICATION WITH BELLCORE APPROVED LUBRICANT, TECHNICAL REFERENCE: TR-NWT-001217, ISSUE 1, SEPTEMBER 1992.
- 4 MATERIAL: HOUSING: LCP; COLOR: RED. UL 94V-0. CONTACT: PHOSPHOR BRONZE.
- 5 NUMBER "3" MARKED IN THIS AREA.
- 6 MATERIAL: HOUSING: POLYESTER. COLOR: GRAY. UL 94V-0. CONTACT: HIGH CURRENT COPPER ALLOY.
- 7 REFERENCE APPLICATION SPEC 114-1103 FOR RECOMMENDED PLATED THRU HOLE DIAMETER AND PLATING THICKNESSES.
- 8. CURRENT RATING 10A/CONTACT FOR PHOS BRONZE CONTACTS AND 16A/CONTACT FOR HIGH CURRENT COPPER ALLOY CONTACTS PER PRODUCT SPEC 108-1651.



SECTION W-W
SCALE 40:1

MATERIAL/FINISH	PART NUMBER
2 3 6	5-223961-1
1 2 3 5	223961-8
2 3 4	223961-2
1 2 3	223961-1

THIS DRAWING IS A CONTROLLED DOCUMENT.

DIMENSIONS: mm	TOLERANCES UNLESS OTHERWISE SPECIFIED:	DIN R BUCHHEISTER 20/SEP/95	CHK N NORRIS 20/SEP/95	APPRO D SINISI 20/SEP/95	NAME	Tyco Electronics Corporation Harrisburg, PA 17105-3608
0 PLC ± -	1 PLC ± -	2 PLC ± 0.13	3 PLC ± -	4 PLC ± -	ANGLES ± -	ASSEMBLY, RIGHT ANGLE HEADER, W/ RETENTION PEGS, UNIVERSAL POWER MODULE
MATERIAL SEE TABLE	FINISH SEE TABLE	WEIGHT	SIZE A1	CAGE CODE 00779	DRAWING NO C=223961	RESTRICTED TO
CUSTOMER DRAWING		SCALE 10:1	SHEET 1 of 1	REV R		

Mouser Electronics

Authorized Distributor

Click to View Pricing, Inventory, Delivery & Lifecycle Information:

[TE Connectivity:](#)

[223961-1](#)