

# SN65LBC176A-EP DIFFERENTIAL BUS TRANSCEIVER

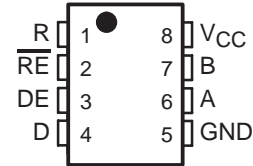
SGLS151C – DECEMBER 2002 – REVISED JULY 2004

- **Controlled Baseline**
  - One Assembly/Test Site, One Fabrication Site
- **Extended Temperature Performance of  $-40^{\circ}\text{C}$  to  $125^{\circ}\text{C}$  and  $-55^{\circ}\text{C}$  to  $125^{\circ}\text{C}$**
- **Enhanced Diminishing Manufacturing Sources (DMS) Support**
- **Enhanced Product Change Notification**
- **Qualification Pedigree†**
- **High-Speed Low-Power LinBiCMOS™ Circuitry Designed for Signaling Rates‡ Up to 30 Mbps**
- **Bus-Pin ESD Protection Exceeds 12-kV HBM**
- **Compatible With ANSI Standard TIA/EIA-485-A and ISO 8482:1987(E)**
- **Low Skew**
- **Designed for Multipoint Transmission on Long Bus Lines in Noisy Environments**
- **Low Disabled Supply Current Requirements . . . 700  $\mu\text{A}$  Maximum**
- **Common-Mode Voltage Range of  $-7\text{ V}$  to  $12\text{ V}$**
- **Thermal-Shutdown Protection**
- **Driver Positive and Negative Current Limiting**
- **Open-Circuit Fail-Safe Receiver Design**
- **Receiver Input Sensitivity . . .  $\pm 200\text{ mV}$  Max**
- **Receiver Input Hysteresis . . .  $50\text{ mV}$  Typ**
- **Glitch-Free Power-Up and Power-Down Protection**

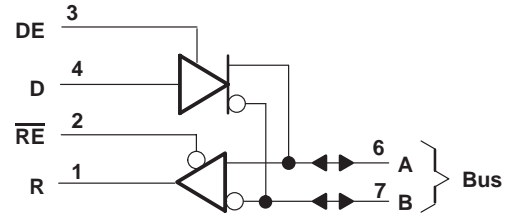
† Component qualification in accordance with JEDEC and industry standards to ensure reliable operation over an extended temperature range. This includes, but is not limited to, Highly Accelerated Stress Test (HAST) or biased 85/85, temperature cycle, autoclave or unbiased HAST, electromigration, bond intermetallic life, and mold compound life. Such qualification testing should not be viewed as justifying use of this component beyond specified performance and environmental limits.

‡ Signaling rate by TIA/EIA-485-A definition restrict transition times to 30% of the bit length, and much higher signaling rates may be achieved without this requirement as displayed in the *TYPICAL CHARACTERISTICS* of this device.

D Package  
(TOP VIEW)



logic diagram (positive logic)



Function Tables

DRIVER

| INPUT<br>D | ENABLE<br>DE | OUTPUTS |   |
|------------|--------------|---------|---|
|            |              | A       | B |
| H          | H            | H       | L |
| L          | H            | L       | H |
| X          | L            | Z       | Z |
| Open       | H            | H       | L |

RECEIVER

| DIFFERENTIAL INPUTS<br>$V_A - V_B$      | ENABLE<br>$\overline{\text{RE}}$ | OUTPUT<br>R |
|---|----------------------------------|-------------|
| $V_{ID} \geq 0.2\text{ V}$              | L                                | H           |
| $-0.2\text{ V} < V_{ID} < 0.2\text{ V}$ | L                                | ?           |
| $V_{ID} \leq -0.2\text{ V}$             | L                                | L           |
| X                                       | H                                | Z           |
| Open                                    | L                                | H           |

H = high level, L = low level, ? = indeterminate,  
X = irrelevant, Z = high impedance (off)



Please be aware that an important notice concerning availability, standard warranty, and use in critical applications of Texas Instruments semiconductor products and disclaimers thereto appears at the end of this data sheet.

LinBiCMOS and LinASIC are trademarks of Texas Instruments.

PRODUCTION DATA information is current as of publication date. Products conform to specifications per the terms of Texas Instruments standard warranty. Production processing does not necessarily include testing of all parameters.



POST OFFICE BOX 655303 • DALLAS, TEXAS 75265

Copyright © 2004, Texas Instruments Incorporated

# SN65LBC176A-EP DIFFERENTIAL BUS TRANSCEIVER

SGLS151C – DECEMBER 2002 – REVISED JULY 2004

## description/ordering information

The SN65LBC176A-EP differential bus transceiver is a monolithic, integrated circuits designed for bidirectional data communication on multipoint bus-transmission lines. The SN65LBC176A-EP is designed for balanced transmission lines and is compatible with ANSI standard TIA/EIA-485-A and ISO 8482. The SN65LBC176A-EP offers improved switching performance over its predecessors without sacrificing significantly more power.

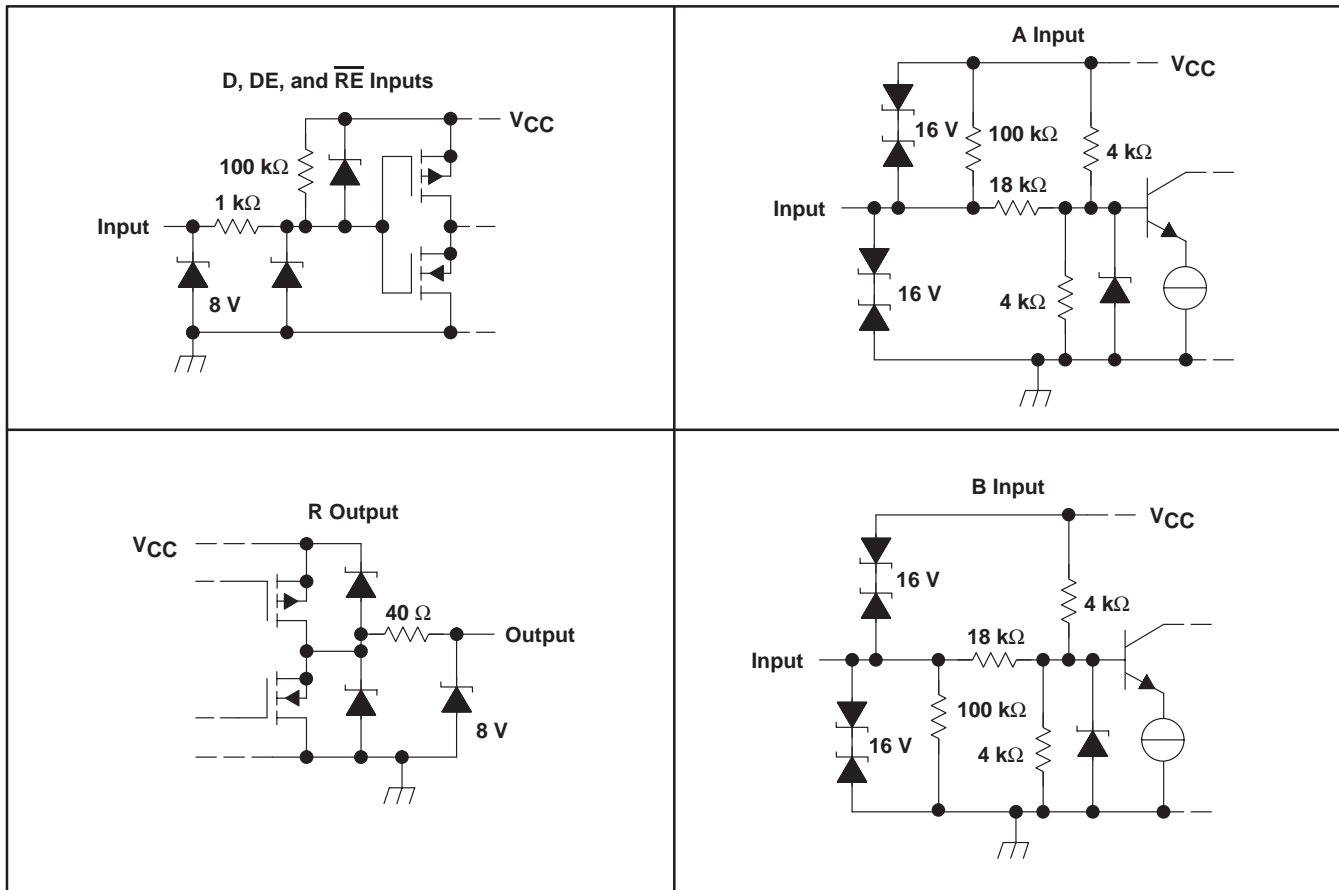
The SN65LBC176A-EP combines a 3-state, differential line driver and a differential input line receiver, both of which operate from a single 5-V power supply. The driver and receiver have active-high and active-low enables, respectively, which can externally connect together to function as a direction control. The driver differential outputs and the receiver differential inputs connect internally to form a differential input/output (I/O) bus port that is designed to offer minimum loading to the bus whenever the driver is disabled or  $V_{CC} = 0$ . This port features wide positive and negative common-mode voltage ranges, making the device suitable for party-line applications. Low device supply current can be achieved by disabling the driver and the receiver.

## ORDERING INFORMATION

| TA             | PACKAGE† |               | ORDERABLE PART NUMBER | TOP-SIDE MARKING |
|----------------|----------|---------------|-----------------------|------------------|
| -40°C to 125°C | SOIC – D | Tape and Reel | SN65LBC176AQDREP      | 176AEP           |
| -55°C to 125°C | SOIC – D | Tape and Reel | SN65LBC176AMDREP      | 176MEP           |

† Package drawings, standard packing quantities, thermal data, symbolization, and PCB design guidelines are available at [www.ti.com/sc/package](http://www.ti.com/sc/package).

## schematics of inputs and outputs



**absolute maximum ratings†**

|  |                              |
|--|------------------------------|
| Supply voltage, $V_{CC}$ (see Note 1)                                    | –0.3 V to 6 V                |
| Voltage range at any bus terminal (A or B)                               | –10 V to 15 V                |
| Input voltage, $V_I$ (D, DE, R, or $\overline{RE}$ )                     | –0.3 V to $V_{CC} + 0.5$ V   |
| Electrostatic discharge: Bus terminals and GND, Class 3, A: (see Note 2) | 12 kV                        |
| Bus terminals and GND, Class 3, B: (see Note 2)                          | 400 V                        |
| All terminals, Class 3, A:   | 4 kV                         |
| All terminals, Class 3, B:   | 400 V                        |
| Continuous total power dissipation (see Note 3)                          | See Dissipation Rating Table |
| Storage temperature range, $T_{stg}$ (see Note 4)                        | –65°C to 150°C               |
| Lead temperature 1,6 mm (1/16 inch) from case for 10 seconds             | 260°C                        |

† Stresses beyond those listed under “absolute maximum ratings” may cause permanent damage to the device. These are stress ratings only, and functional operation of the device at these or any other conditions beyond those indicated under “recommended operating conditions” is not implied. Exposure to absolute-maximum-rated conditions for extended periods may affect device reliability.

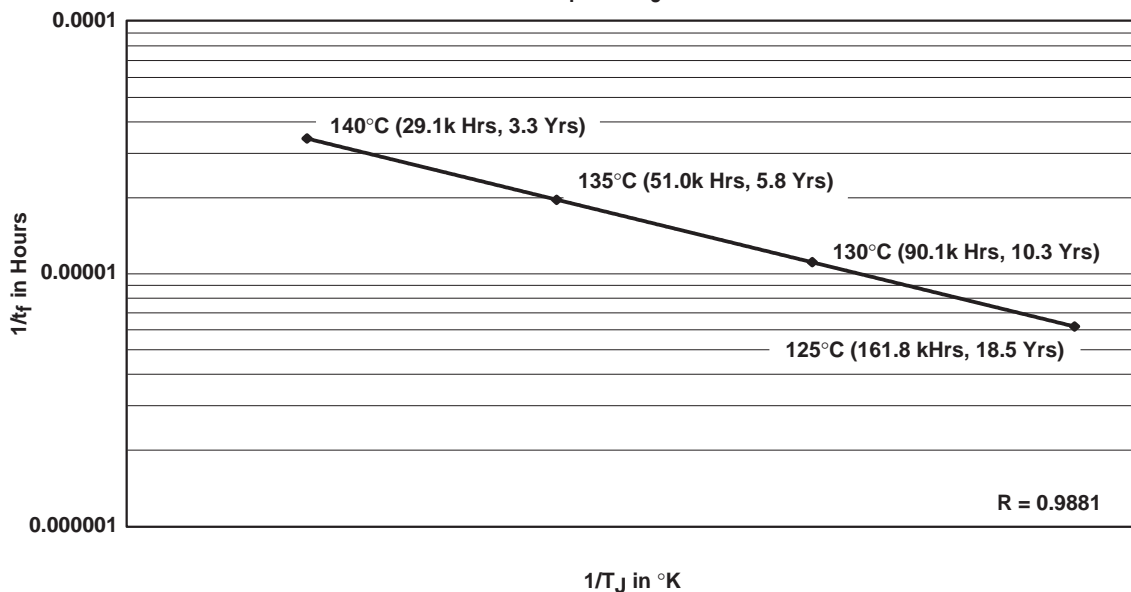
- NOTES:
1. All voltage values, except differential I/O bus voltage, are with respect to network ground terminal.
  2. The maximum operating junction temperature is internally limited. Use the dissipation rating table to operate below this temperature.
  3. Tested in accordance with MIL-STD-883C, Method 3015.7
  4. Long-term, high-temperature storage and/or extended use at maximum recommended operating conditions may result in a reduction of overall device life. See [http://www.ti.com/ep\\_quality](http://www.ti.com/ep_quality) for additional information on enhanced plastic packaging.

**DISSIPATION RATING TABLE**

| PACKAGE | $T_A \leq 25^\circ\text{C}$<br>POWER RATING | DERATING FACTOR‡<br>ABOVE $T_A = 25^\circ\text{C}$ | $T_A = 70^\circ\text{C}$<br>POWER RATING | $T_A = 85^\circ\text{C}$<br>POWER RATING | $T_A = 125^\circ\text{C}$<br>POWER RATING |
|---------|---|--|--|--|---|
| D       | 725 mW                                      | 5.8 mW/°C  | 464 mW                                   | 377 mW                                   | 145 mW                                    |

‡ This is the inverse of the junction-to-ambient thermal resistance when the board is mounted and with no air flow.

**OPERATING LIFE DERATING TABLE – SN65LBC176AMDREP**  
 **$1/t_f$  vs  $1/T_J$  in °K**



- NOTES:
- A. See the data sheet for absolute maximum and maximum recommended operating conditions.
  - B. Silicon operating life design goal is 10 years at 105°C junction temperature (does not include package interconnect life).
  - C. Attached enhanced plastic product disclaimer applies.

# SN65LBC176A-EP DIFFERENTIAL BUS TRANSCEIVER

SGLS151C – DECEMBER 2002 – REVISED JULY 2004

## recommended operating conditions

|  |                            | MIN      | NOM      | MAX  | UNIT               |
|--|----------------------------|----------|----------|------|--------------------|
| Supply voltage, $V_{CC}$   |                            | 4.75     | 5        | 5.25 | V                  |
| Voltage at any bus terminal (separately or common mode), $V_I$ or $V_{IC}$ |                            | 12       |          |      | V                  |
|  |                            | -7       |          |      |                    |
| High-level input voltage, $V_{IH}$ (output recessive)                      | D, DE, and $\overline{RE}$ | 2        | $V_{CC}$ |      | V                  |
| Low-level input voltage, $V_{IL}$ (output dominant)                        | D, DE, and $\overline{RE}$ | 0        | 0.8      |      | V                  |
| Differential input voltage, $V_{ID}$ (see Note 5)                          |                            | -12 $\S$ |          | 12   | V                  |
| High-level output current, $I_{OH}$  | Driver                     | -60      |          |      | mA                 |
|  | Receiver                   | -8       |          |      |                    |
| Low-level output current, $I_{OL}$   | Driver                     | 60       |          |      | mA                 |
|  | Receiver                   | 8        |          |      |                    |
| Operating free-air temperature, $T_A$                                      | SN65LBC176AQ-EP            | -40      | 125      |      | $^{\circ}\text{C}$ |
|  | SN65LBC176AM-EP            | -55      | 125      |      |                    |

$\S$  The algebraic convention, in which the least positive (most negative) limit is designated as minimum, is used in this data sheet.

NOTE 5: Differential input/output bus voltage is measured at the noninverting terminal A with respect to the inverting terminal B.

## driver electrical characteristics over recommended operating conditions (unless otherwise noted)

| PARAMETER           | TEST CONDITIONS   | MIN                                   | TYP $\dagger$ | MAX | UNIT          |    |
|---------------------|---|---------------------------------------|---------------|-----|---------------|----|
| $V_{IK}$            | Input clamp voltage<br>$I_I = -18 \text{ mA}$   | -1.5                                  | -0.8          |     | V             |    |
| $ V_{OD} $          | Differential output voltage<br>$I_O = 0$<br>$R_L = 54 \Omega$ , See Figure 1<br>$V_{test} = -7 \text{ V to } 12 \text{ V}$ , See Figure 2 | 1.5                                   | 4             | 6   | V             |    |
|                     |   | 0.9                                   | 1.5           | 6   |               |    |
|                     |   | 0.9                                   | 1.5           | 6   |               |    |
| $\Delta V_{OD} $    | Change in magnitude of differential output voltage<br>See Figure 1 and Figure 2   | -0.2                                  |               | 0.2 | V             |    |
| $V_{OC(SS)}$        | Steady-state common-mode output voltage<br>See Figure 1   | 1.8                                   | 2.4           | 3   | V             |    |
| $\Delta V_{OC(SS)}$ | Change in steady-state common-mode output voltage $\dagger$<br>See Figure 1   | -0.2                                  |               | 0.2 | V             |    |
| $I_{OZ}$            | High-impedance output current<br>See receiver input currents  |                                       |               |     |               |    |
| $I_{IH}$            | High-level enable input current<br>$V_I = 2 \text{ V}$  | -100                                  |               |     | $\mu\text{A}$ |    |
| $I_{IL}$            | Low-level enable input current<br>$V_I = 0.8 \text{ V}$   | -100                                  |               |     | $\mu\text{A}$ |    |
| $I_{OS}$            | Short-circuit output current<br>$-7 \text{ V} \leq V_O \leq 12 \text{ V}$   | -250                                  | $\pm 70$      | 250 | mA            |    |
| $I_{CC}$            | Supply current<br>$V_I = 0$ or $V_{CC}$ ,<br>No load  | Receiver disabled and driver enabled  |               | 5   | 9             | mA |
|                     |   | Receiver disabled and driver disabled |               | 0.4 | 0.7           |    |
|                     |   | Receiver enabled and driver enabled   |               | 8.5 | 15            |    |

$\dagger$  All typical values are at  $V_{CC} = 5 \text{ V}$ ,  $T_A = 25^{\circ}\text{C}$ .



**driver switching characteristics over recommended operating conditions (unless otherwise noted)**

| PARAMETER          |   | TEST CONDITIONS  | MIN | TYP† | MAX | UNIT |
|--------------------|---|--|-----|------|-----|------|
| t <sub>PLH</sub>   | Propagation delay time, low-to-high level output            | R <sub>L</sub> = 54 Ω, C <sub>L</sub> = 50 pF,<br>See Figure 3 | 2   |      | 12  | ns   |
| t <sub>PHL</sub>   | Propagation delay time, high-to-low level output            |  | 2   |      | 12  |      |
| t <sub>sk(p)</sub> | Pulse skew ( t <sub>PLH</sub> – t <sub>PHL</sub>  )         |  |     |      | 2   |      |
| t <sub>r</sub>     | Differential output signal rise time                        |  | 1.2 |      | 11  |      |
| t <sub>f</sub>     | Differential output signal fall time                        |  | 1.2 |      | 11  |      |
| t <sub>PZH</sub>   | Propagation delay time, high-impedance to high-level output | R <sub>L</sub> = 110 Ω, See Figure 4                           |     |      | 22  | ns   |
| t <sub>PZL</sub>   | Propagation delay time, high-impedance to low-level output  | R <sub>L</sub> = 110 Ω, See Figure 5                           |     |      | 25  | ns   |
| t <sub>PHZ</sub>   | Propagation delay time, high-level to high-impedance output | R <sub>L</sub> = 110 Ω, See Figure 4                           |     |      | 22  | ns   |
| t <sub>PLZ</sub>   | Propagation delay time, low-level to high-impedance output  | R <sub>L</sub> = 110 Ω, See Figure 5                           |     |      | 22  | ns   |

† All typical values are at V<sub>CC</sub> = 5 V, T<sub>A</sub> = 25°C.

**receiver electrical characteristics over recommended operating conditions (unless otherwise noted)**

| PARAMETER        |   | TEST CONDITIONS   | MIN                                   | TYP† | MAX  | UNIT |
|------------------|---|---|---------------------------------------|------|------|------|
| V <sub>IT+</sub> | Positive-going input threshold voltage                    | I <sub>O</sub> = –8 mA  |                                       |      | 0.2  | V    |
| V <sub>IT–</sub> | Negative-going input threshold voltage                    | I <sub>O</sub> = 8 mA   | –0.2                                  |      |      | V    |
| V <sub>hys</sub> | Hysteresis voltage (V <sub>IT+</sub> – V <sub>IT–</sub> ) |   | 50                                    |      |      | mV   |
| V <sub>IK</sub>  | Enable-input clamp voltage                                | I <sub>I</sub> = –18 mA   | –1.5                                  | –0.8 |      | V    |
| V <sub>OH</sub>  | High-level output voltage                                 | V <sub>ID</sub> = 200 mV, I <sub>OH</sub> = –8 mA, See Figure 6 | 4                                     | 4.9  |      | V    |
| V <sub>OL</sub>  | Low-level output voltage                                  | V <sub>ID</sub> = 200 mV, I <sub>OL</sub> = 8 mA, See Figure 6  |                                       | 0.1  | 0.8  | V    |
| I <sub>OZ</sub>  | High-impedance-state output current                       | V <sub>O</sub> = 0 to V <sub>CC</sub>                           | –10                                   |      | 10   | μA   |
| I <sub>I</sub>   | Bus input current   | V <sub>IH</sub> = 12 V, V <sub>CC</sub> = 5 V                   | Other input at 0 V                    | 0.4  | 1    | mA   |
|                  |   | V <sub>IH</sub> = 12 V, V <sub>CC</sub> = 0                     |                                       | 0.5  | 1    |      |
|                  |   | V <sub>IH</sub> = –7 V, V <sub>CC</sub> = 5 V                   |                                       | –0.8 | –0.4 |      |
|                  |   | V <sub>IH</sub> = –7 V, V <sub>CC</sub> = 0                     |                                       | –0.8 | –0.3 |      |
| I <sub>IH</sub>  | High-level enable-input current                           | V <sub>IH</sub> = 2 V   | –100                                  |      |      | μA   |
| I <sub>IL</sub>  | Low-level enable-input current                            | V <sub>IL</sub> = 0.8 V   | –100                                  |      |      | μA   |
| I <sub>CC</sub>  | Supply current  | V <sub>I</sub> = 0 or V <sub>CC</sub> ,<br>No load              | Receiver enabled and driver disabled  | 4    | 7    | mA   |
|                  |   |   | Receiver disabled and driver disabled | 0.4  | 0.7  |      |
|                  |   |   | Receiver enabled and driver enabled   | 8.5  | 15   |      |

† All typical values are at V<sub>CC</sub> = 5 V, T<sub>A</sub> = 25°C.

# SN65LBC176A-EP DIFFERENTIAL BUS TRANSCEIVER

SGLS151C – DECEMBER 2002 – REVISED JULY 2004

receiver switching characteristics over recommended operating conditions (unless otherwise noted)

| PARAMETER  | TEST CONDITIONS                                 | MIN | TYP† | MAX | UNIT |
|--|---|-----|------|-----|------|
| t <sub>PLH</sub> Propagation delay time, output↑                       | V <sub>ID</sub> = -1.5 V to 1.5 V, See Figure 7 | 7   |      | 30  | ns   |
| t <sub>PHL</sub> Propagation delay time, output↓                       |   | 7   |      | 30  | ns   |
| t <sub>sk(p)</sub> Pulse skew ( t <sub>PHL</sub> - t <sub>PLH</sub>  ) |   |     |      | 6   | ns   |
| t <sub>r</sub> Rise time, output                                       | See Figure 7                                    |     |      | 5   | ns   |
| t <sub>f</sub> Fall time, output                                       |   |     |      | 5   | ns   |
| t <sub>PZH</sub> Output enable time to high level                      | C <sub>L</sub> = 10 pF, See Figure 8            |     |      | 50  | ns   |
| t <sub>PZL</sub> Output enable time to low level                       |   |     |      | 50  | ns   |
| t <sub>PHZ</sub> Output disable time from high level                   |   |     |      | 60  | ns   |
| t <sub>PLZ</sub> Output disable time from low level                    |   |     |      | 40  | ns   |

† All typical values are at V<sub>CC</sub> = 5 V, T<sub>A</sub> = 25°C.



PARAMETER MEASUREMENT INFORMATION

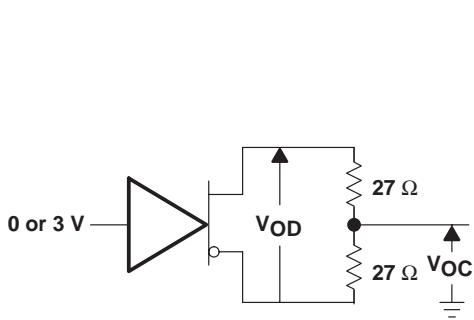


Figure 1. Driver  $V_{OD}$  and  $V_{OC}$

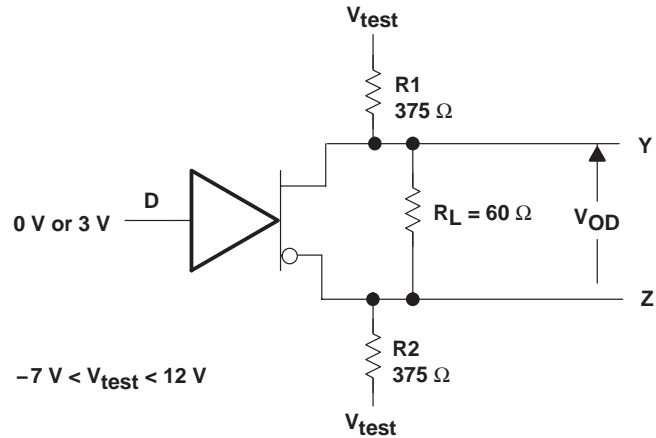
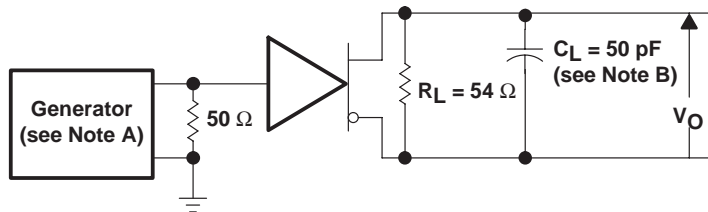
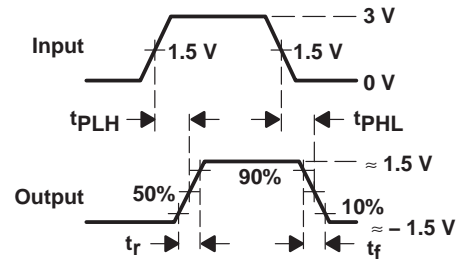


Figure 2. Driver  $V_{OD3}$



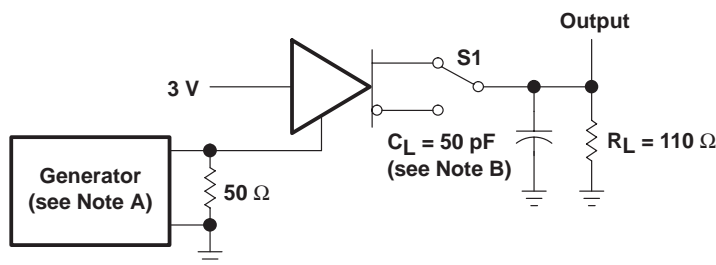
TEST CIRCUIT



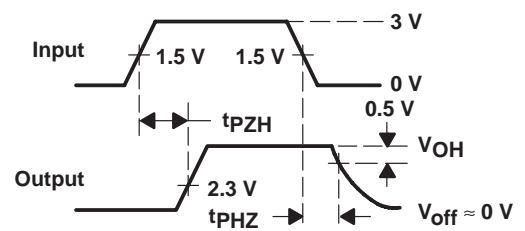
VOLTAGE WAVEFORMS

- NOTES: D. The input pulse is supplied by a generator having the following characteristics:  $PRR \leq 1$  MHz, 50% duty cycle,  $t_r \leq 6$  ns,  $t_f \leq 6$  ns,  $Z_O = 50 \Omega$ .  
E.  $C_L$  includes probe and jig capacitance.

Figure 3. Driver Test Circuit and Voltage Waveforms



TEST CIRCUIT



VOLTAGE WAVEFORMS

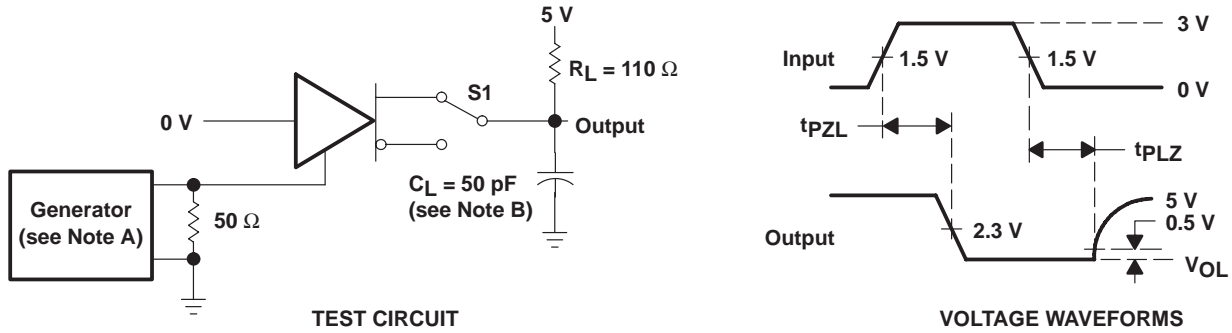
- NOTES: A. The input pulse is supplied by a generator having the following characteristics:  $PRR \leq 1$  MHz, 50% duty cycle,  $t_r \leq 6$  ns,  $t_f \leq 6$  ns,  $Z_O = 50 \Omega$ .  
B.  $C_L$  includes probe and jig capacitance.

Figure 4. Driver Test Circuit and Voltage Waveforms

# SN65LBC176A-EP DIFFERENTIAL BUS TRANSCEIVER

SGLS151C – DECEMBER 2002 – REVISED JULY 2004

## PARAMETER MEASUREMENT INFORMATION



- NOTES: A. The input pulse is supplied by a generator having the following characteristics: PRR  $\leq$  1 MHz, 50% duty cycle,  $t_r \leq$  6 ns,  $t_f \leq$  6 ns,  $Z_O = 50 \Omega$ .  
 B.  $C_L$  includes probe and jig capacitance.

Figure 5. Driver Test Circuit and Voltage Waveforms

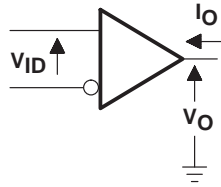
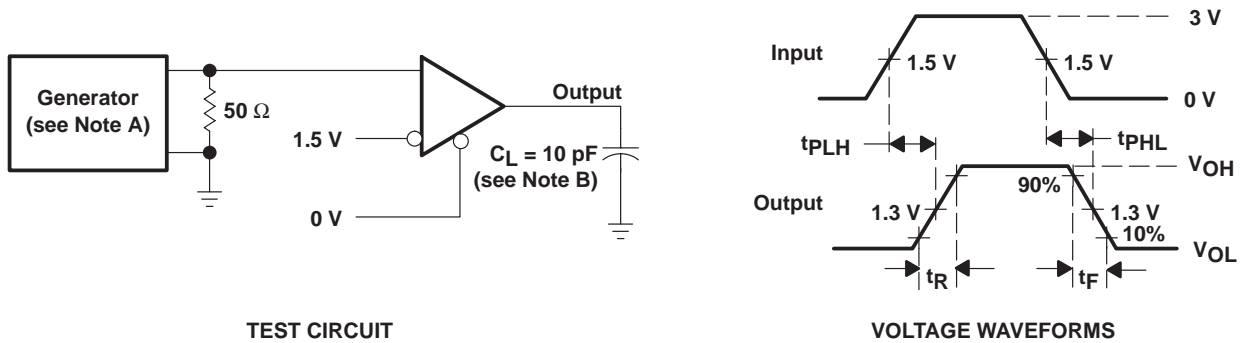


Figure 6. Receiver  $V_{OH}$  and  $V_{OL}$

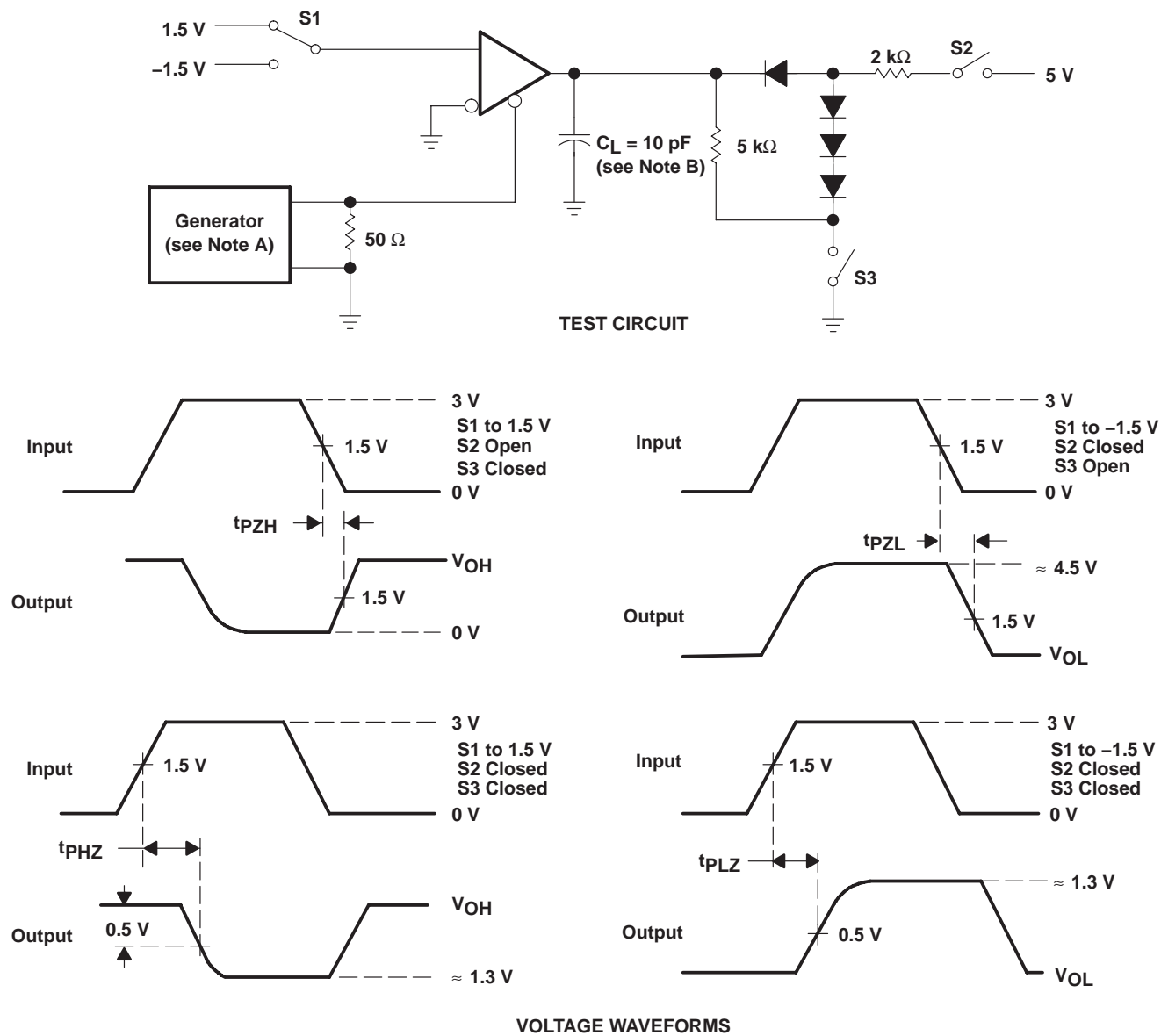


- NOTES: A. The input pulse is supplied by a generator having the following characteristics: PRR  $\leq$  1 MHz, 50% duty cycle,  $t_r \leq$  6 ns,  $t_f \leq$  6 ns,  $Z_O = 50 \Omega$ .  
 B.  $C_L$  includes probe and jig capacitance.

Figure 7. Receiver Test Circuit and Voltage Waveforms



PARAMETER MEASUREMENT INFORMATION



- NOTES: A. The input pulse is supplied by a generator having the following characteristics: PRR  $\leq$  1 MHz, 50% duty cycle,  $t_r \leq$  6 ns,  $t_f \leq$  6 ns,  $Z_0 = 50 \Omega$ .  
 B.  $C_L$  includes probe and jig capacitance.

Figure 8. Receiver Test Circuit and Voltage Waveforms

# SN65LBC176A-EP DIFFERENTIAL BUS TRANSCEIVER

SGLS151C – DECEMBER 2002 – REVISED JULY 2004

## TYPICAL CHARACTERISTICS

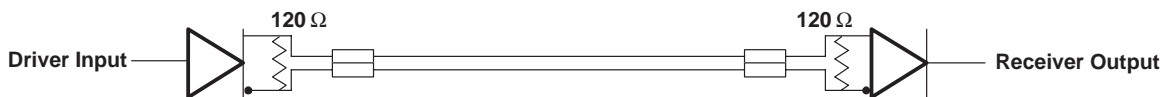
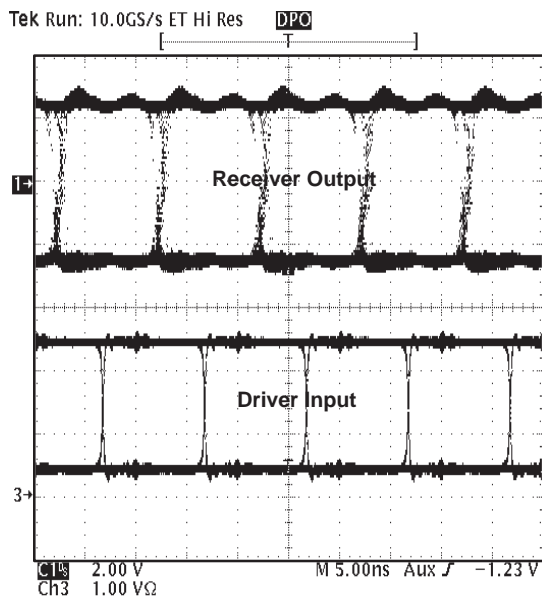


Figure 9. Typical Waveform of Non-Return-To-Zero (NRZ), Pseudorandom Binary Sequence (PRBS) Data at 100 Mbps Through 15m, of CAT 5 Unshielded Twisted Pair (UTP) Cable

TIA/EIA-485-A defines a maximum signaling rate as that in which the transition time of the voltage transition of a logic-state change remains less than or equal to 30% of the bit length. Transition times of greater length perform quite well, even though they do not meet the standard by definition.

TYPICAL CHARACTERISTICS

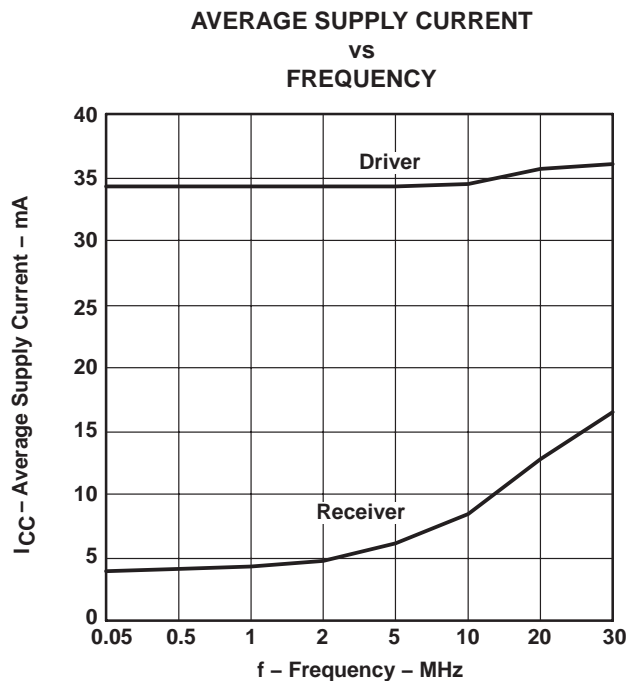


Figure 10

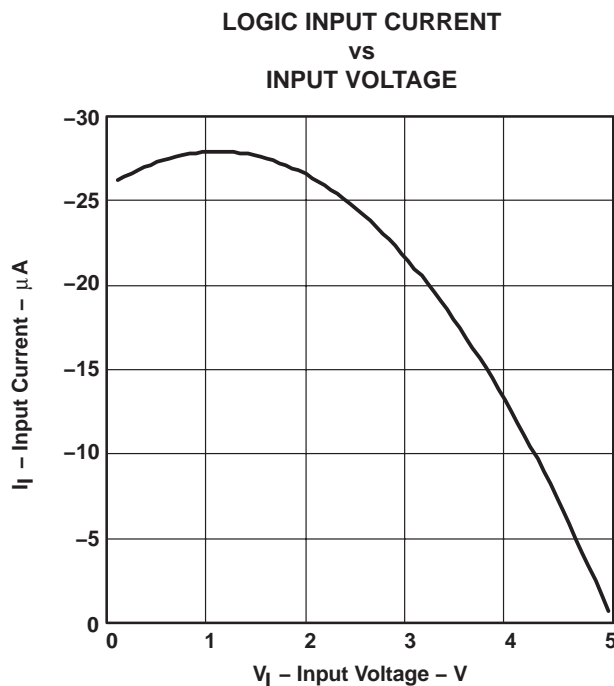


Figure 11

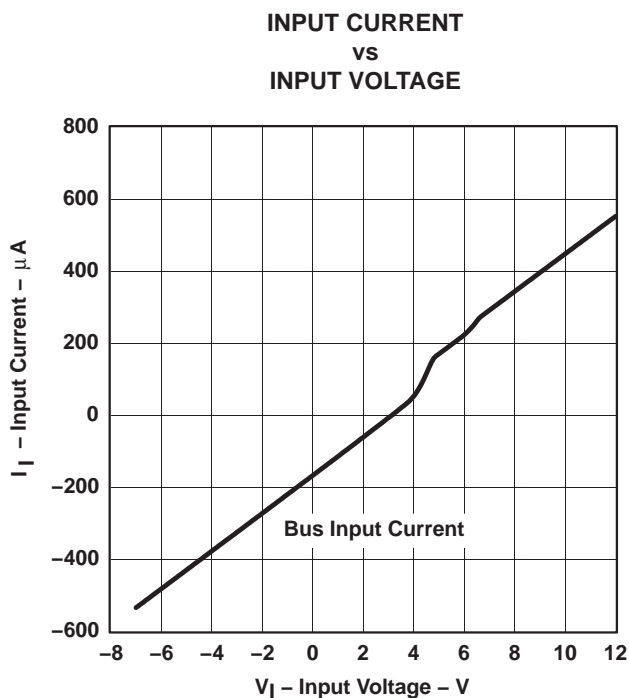


Figure 12

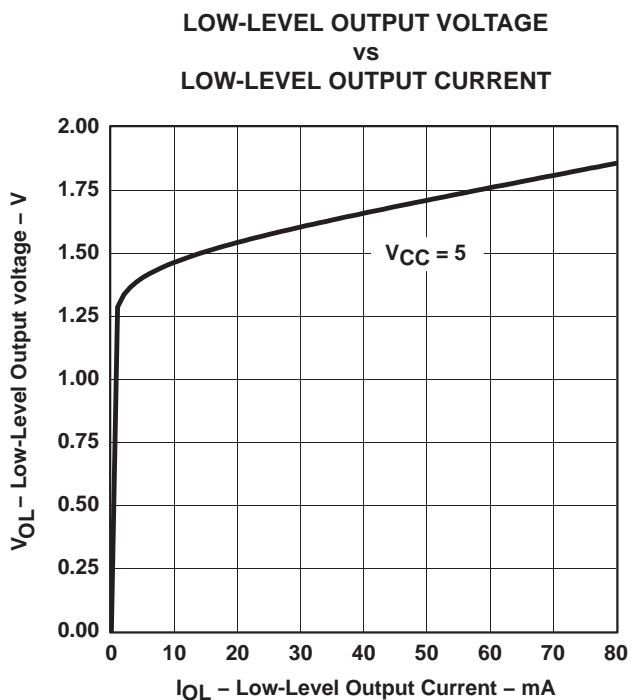


Figure 13

# SN65LBC176A-EP DIFFERENTIAL BUS TRANSCEIVER

SGLS151C – DECEMBER 2002 – REVISED JULY 2004

## TYPICAL CHARACTERISTICS

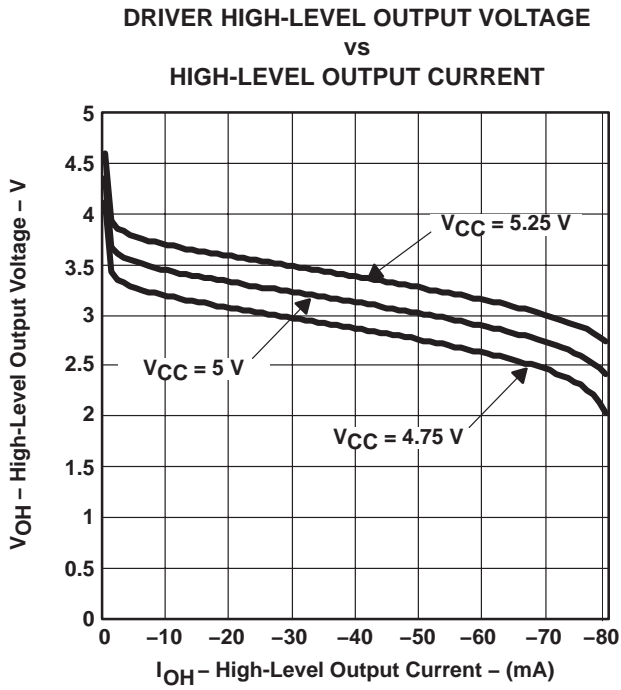


Figure 14

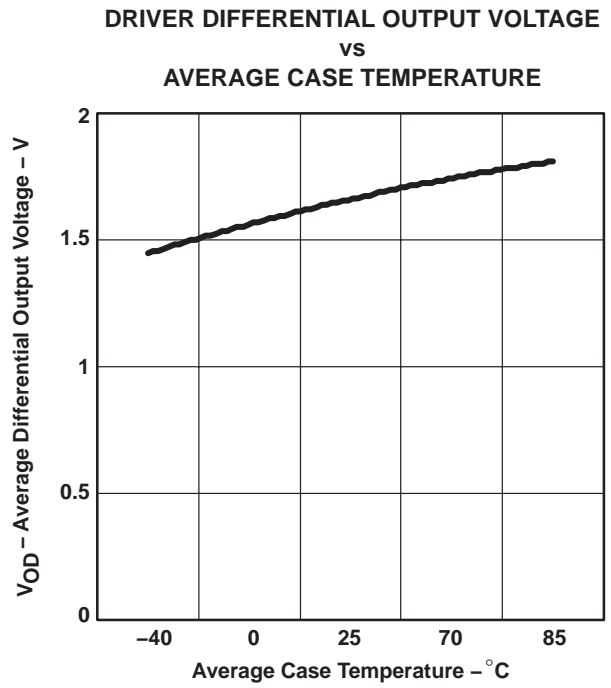


Figure 15

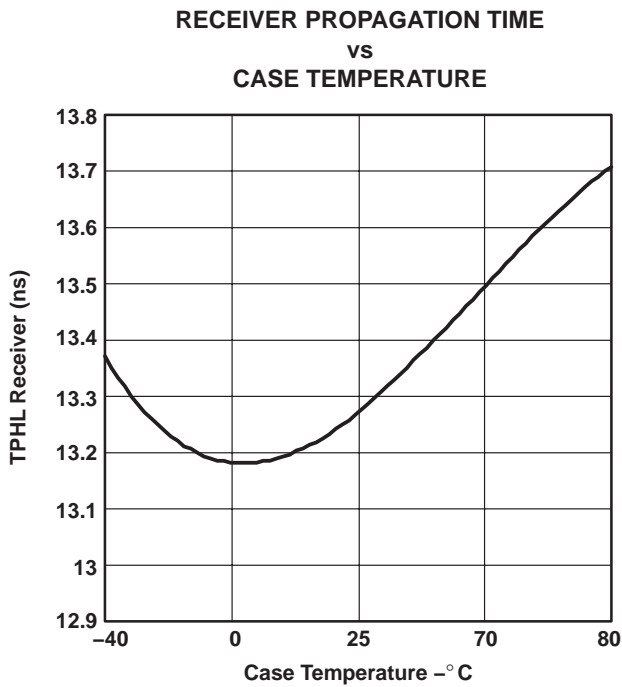


Figure 16

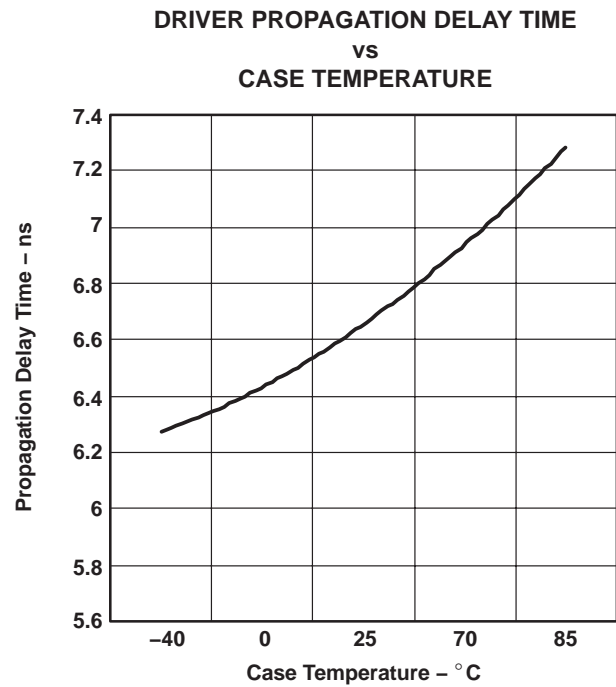


Figure 17

TYPICAL CHARACTERISTICS

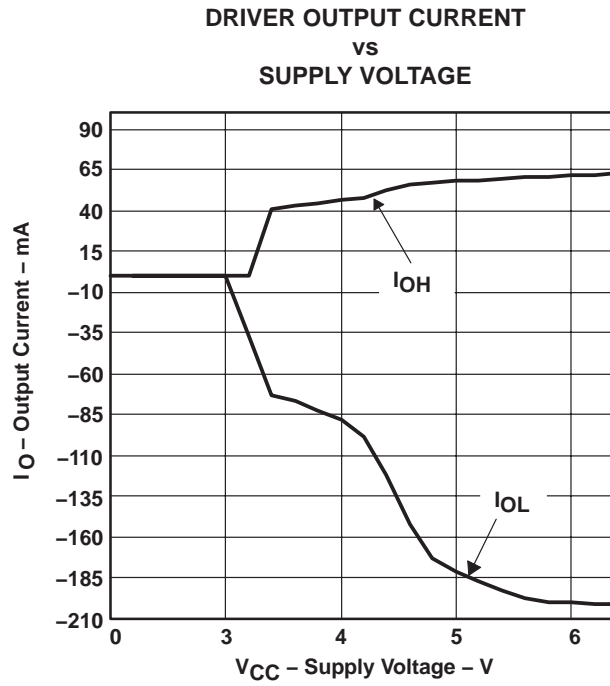


Figure 18

**PACKAGING INFORMATION**

| Orderable Device | Status<br>(1) | Package Type | Package Drawing | Pins | Package Qty | Eco Plan<br>(2)         | Lead/Ball Finish<br>(6) | MSL Peak Temp<br>(3) | Op Temp (°C) | Device Marking<br>(4/5) | Samples                 |
|------------------|---------------|--------------|-----------------|------|-------------|-------------------------|-------------------------|----------------------|--------------|-------------------------|-------------------------|
| SN65LBC176AMDREP | ACTIVE        | SOIC         | D               | 8    | 2500        | Green (RoHS & no Sb/Br) | NIPDAU                  | Level-1-260C-UNLIM   | -55 to 125   | 176MEP                  | <a href="#">Samples</a> |
| SN65LBC176AQDREP | ACTIVE        | SOIC         | D               | 8    | 2500        | Green (RoHS & no Sb/Br) | NIPDAU                  | Level-1-260C-UNLIM   | -40 to 125   | 176AEP                  | <a href="#">Samples</a> |
| V62/03671-01XE   | ACTIVE        | SOIC         | D               | 8    | 2500        | Green (RoHS & no Sb/Br) | NIPDAU                  | Level-1-260C-UNLIM   | -40 to 125   | 176AEP                  | <a href="#">Samples</a> |
| V62/03671-02XE   | ACTIVE        | SOIC         | D               | 8    | 2500        | Green (RoHS & no Sb/Br) | NIPDAU                  | Level-1-260C-UNLIM   | -55 to 125   | 176MEP                  | <a href="#">Samples</a> |

(1) The marketing status values are defined as follows:

**ACTIVE:** Product device recommended for new designs.

**LIFEBUY:** TI has announced that the device will be discontinued, and a lifetime-buy period is in effect.

**NRND:** Not recommended for new designs. Device is in production to support existing customers, but TI does not recommend using this part in a new design.

**PREVIEW:** Device has been announced but is not in production. Samples may or may not be available.

**OBSELETE:** TI has discontinued the production of the device.

(2) **RoHS:** TI defines "RoHS" to mean semiconductor products that are compliant with the current EU RoHS requirements for all 10 RoHS substances, including the requirement that RoHS substance do not exceed 0.1% by weight in homogeneous materials. Where designed to be soldered at high temperatures, "RoHS" products are suitable for use in specified lead-free processes. TI may reference these types of products as "Pb-Free".

**RoHS Exempt:** TI defines "RoHS Exempt" to mean products that contain lead but are compliant with EU RoHS pursuant to a specific EU RoHS exemption.

**Green:** TI defines "Green" to mean the content of Chlorine (Cl) and Bromine (Br) based flame retardants meet JS709B low halogen requirements of <=1000ppm threshold. Antimony trioxide based flame retardants must also meet the <=1000ppm threshold requirement.

(3) MSL, Peak Temp. - The Moisture Sensitivity Level rating according to the JEDEC industry standard classifications, and peak solder temperature.

(4) There may be additional marking, which relates to the logo, the lot trace code information, or the environmental category on the device.

(5) Multiple Device Markings will be inside parentheses. Only one Device Marking contained in parentheses and separated by a "-" will appear on a device. If a line is indented then it is a continuation of the previous line and the two combined represent the entire Device Marking for that device.

(6) Lead/Ball Finish - Orderable Devices may have multiple material finish options. Finish options are separated by a vertical ruled line. Lead/Ball Finish values may wrap to two lines if the finish value exceeds the maximum column width.

**Important Information and Disclaimer:**The information provided on this page represents TI's knowledge and belief as of the date that it is provided. TI bases its knowledge and belief on information provided by third parties, and makes no representation or warranty as to the accuracy of such information. Efforts are underway to better integrate information from third parties. TI has taken and

continues to take reasonable steps to provide representative and accurate information but may not have conducted destructive testing or chemical analysis on incoming materials and chemicals. TI and TI suppliers consider certain information to be proprietary, and thus CAS numbers and other limited information may not be available for release.

In no event shall TI's liability arising out of such information exceed the total purchase price of the TI part(s) at issue in this document sold by TI to Customer on an annual basis.

**OTHER QUALIFIED VERSIONS OF SN65LBC176A-EP :**

- Catalog: [SN65LBC176A](#)

NOTE: Qualified Version Definitions:

- Catalog - TI's standard catalog product

## TAPE AND REEL INFORMATION



### QUADRANT ASSIGNMENTS FOR PIN 1 ORIENTATION IN TAPE



\*All dimensions are nominal

| Device           | Package Type | Package Drawing | Pins | SPQ  | Reel Diameter (mm) | Reel Width W1 (mm) | A0 (mm) | B0 (mm) | K0 (mm) | P1 (mm) | W (mm) | Pin1 Quadrant |
|------------------|--------------|-----------------|------|------|--------------------|--------------------|---------|---------|---------|---------|--------|---------------|
| SN65LBC176AMDREP | SOIC         | D               | 8    | 2500 | 330.0              | 12.4               | 6.4     | 5.2     | 2.1     | 8.0     | 12.0   | Q1            |
| SN65LBC176AQDREP | SOIC         | D               | 8    | 2500 | 330.0              | 12.4               | 6.4     | 5.2     | 2.1     | 8.0     | 12.0   | Q1            |



## TAPE AND REEL BOX DIMENSIONS



\*All dimensions are nominal

| Device           | Package Type | Package Drawing | Pins | SPQ  | Length (mm) | Width (mm) | Height (mm) |
|------------------|--------------|-----------------|------|------|-------------|------------|-------------|
| SN65LBC176AMDREP | SOIC         | D               | 8    | 2500 | 350.0       | 350.0      | 43.0        |
| SN65LBC176AQDREP | SOIC         | D               | 8    | 2500 | 350.0       | 350.0      | 43.0        |



D0008A

# PACKAGE OUTLINE

SOIC - 1.75 mm max height

SMALL OUTLINE INTEGRATED CIRCUIT



4214825/C 02/2019

NOTES:

- Linear dimensions are in inches [millimeters]. Dimensions in parenthesis are for reference only. Controlling dimensions are in inches. Dimensioning and tolerancing per ASME Y14.5M.
- This drawing is subject to change without notice.
- This dimension does not include mold flash, protrusions, or gate burrs. Mold flash, protrusions, or gate burrs shall not exceed .006 [0.15] per side.
- This dimension does not include interlead flash.
- Reference JEDEC registration MS-012, variation AA.

# EXAMPLE BOARD LAYOUT

D0008A

SOIC - 1.75 mm max height

SMALL OUTLINE INTEGRATED CIRCUIT



LAND PATTERN EXAMPLE  
EXPOSED METAL SHOWN  
SCALE:8X



SOLDER MASK DETAILS

4214825/C 02/2019

NOTES: (continued)

6. Publication IPC-7351 may have alternate designs.

7. Solder mask tolerances between and around signal pads can vary based on board fabrication site.

# EXAMPLE STENCIL DESIGN

D0008A

SOIC - 1.75 mm max height

SMALL OUTLINE INTEGRATED CIRCUIT



SOLDER PASTE EXAMPLE  
BASED ON .005 INCH [0.125 MM] THICK STENCIL  
SCALE:8X

4214825/C 02/2019

NOTES: (continued)

8. Laser cutting apertures with trapezoidal walls and rounded corners may offer better paste release. IPC-7525 may have alternate design recommendations.
9. Board assembly site may have different recommendations for stencil design.

## IMPORTANT NOTICE AND DISCLAIMER

TI PROVIDES TECHNICAL AND RELIABILITY DATA (INCLUDING DATASHEETS), DESIGN RESOURCES (INCLUDING REFERENCE DESIGNS), APPLICATION OR OTHER DESIGN ADVICE, WEB TOOLS, SAFETY INFORMATION, AND OTHER RESOURCES "AS IS" AND WITH ALL FAULTS, AND DISCLAIMS ALL WARRANTIES, EXPRESS AND IMPLIED, INCLUDING WITHOUT LIMITATION ANY IMPLIED WARRANTIES OF MERCHANTABILITY, FITNESS FOR A PARTICULAR PURPOSE OR NON-INFRINGEMENT OF THIRD PARTY INTELLECTUAL PROPERTY RIGHTS.

These resources are intended for skilled developers designing with TI products. You are solely responsible for (1) selecting the appropriate TI products for your application, (2) designing, validating and testing your application, and (3) ensuring your application meets applicable standards, and any other safety, security, or other requirements. These resources are subject to change without notice. TI grants you permission to use these resources only for development of an application that uses the TI products described in the resource. Other reproduction and display of these resources is prohibited. No license is granted to any other TI intellectual property right or to any third party intellectual property right. TI disclaims responsibility for, and you will fully indemnify TI and its representatives against, any claims, damages, costs, losses, and liabilities arising out of your use of these resources.

TI's products are provided subject to TI's Terms of Sale ([www.ti.com/legal/termsofsale.html](http://www.ti.com/legal/termsofsale.html)) or other applicable terms available either on [ti.com](http://ti.com) or provided in conjunction with such TI products. TI's provision of these resources does not expand or otherwise alter TI's applicable warranties or warranty disclaimers for TI products.

Mailing Address: Texas Instruments, Post Office Box 655303, Dallas, Texas 75265  
Copyright © 2020, Texas Instruments Incorporated