

**Pushbutton non-illuminated - mounting hole diameter 18.2 mm, screw terminals, 1 NC + 1 NO, green**  
**1.01.102.011/0507**



#### General information

Form of lens	protruding lens
Color of lens	opaque green
Form of collar	round

#### Dimensions

Diameter of collar	22 mm
Overall height	10.5 mm
Mounting depth	34 mm
Mounting hole	18.2 mm

#### Mechanical design

Mounting	ring nut
Terminals	screw terminals
Contact system	sliding bridge contact
Contact function	momentary
Contact arrangement	1 NC + 1 NO
Contact materials	Ag
Illumination	no
Lamp socket	no

#### Mechanical characteristics

Operating force max.	9.5 N
Operating travel	5 mm
Switching travel NC	2.1 mm
Switching travel NO	3.7 mm
Robustness max.	100 N

#### Electrical characteristics

Rated voltage AC max.	250 V
Rated current max.	2 A
Contact resistance acc. to life max.	200 mΩ

#### Other specifications

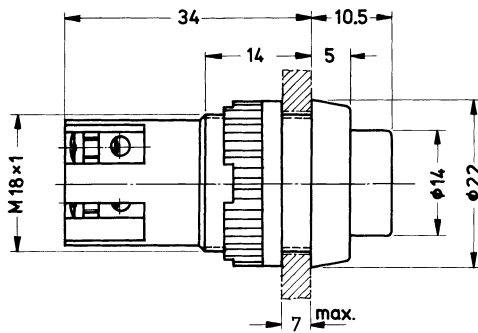
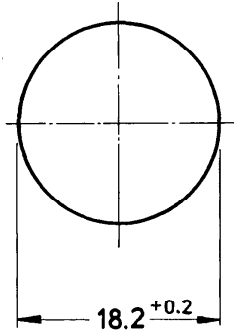
Operating life (operations)	50,000 cycle
Degree of protection from front side	IP40 acc. to DIN EN 60529 (IP65 with sealing cap)
Operation temperature min.	-25 °C
Ambient temp. operating max.	+85 °C
Storage temperature min.	-40 °C
Storage temperature max.	+90 °C

---

Environmental resistance	acc. to IEC 60068-2-14, -30, -33 and -78
Weight	14 g
Hot wire ignition acc. to IEC 60695-2-1	yes
ROHS compliant	yes
REACH compliant	yes

---

## Mounting hole



# Mouser Electronics

Authorized Distributor

Click to View Pricing, Inventory, Delivery & Lifecycle Information:

RAFI:

[1.01.102.011/0507](#)