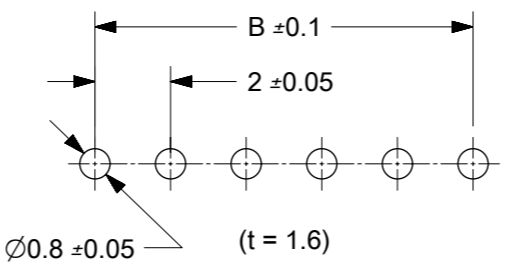
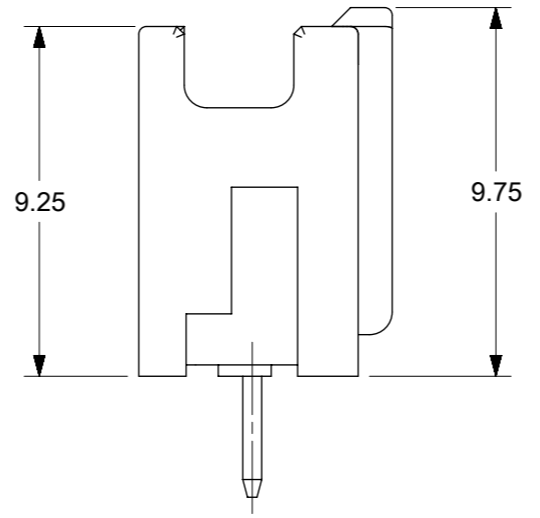
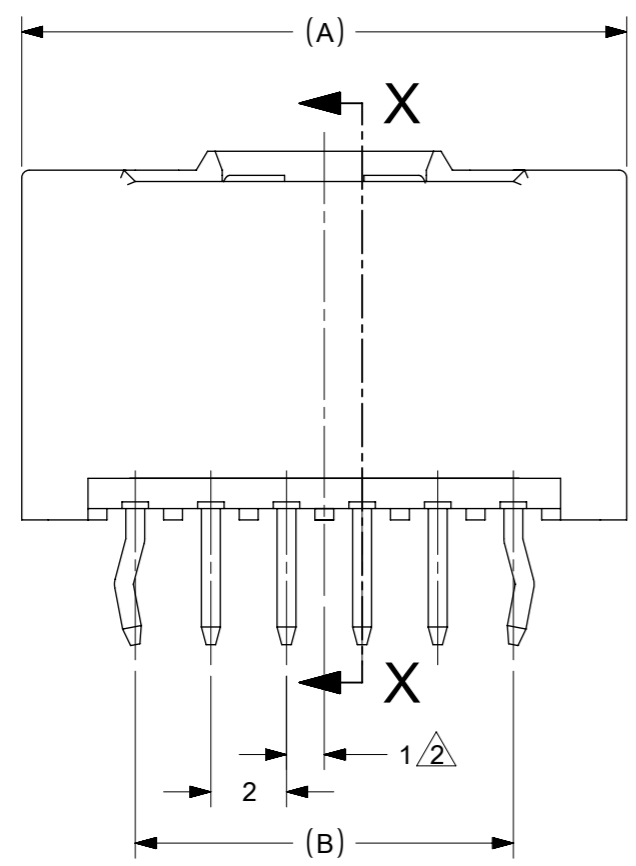


SECTION X-X



- NOTE
- MATE WITH 51382-XXXX
 - APPLY EVEN CIRCUIT PRODUCTS
 - KINK TO BE APPLIED BOTH ENDS
 - MATERIALS
HOUSING : PBT, UL94V-0
PIN : BRASS
 - FINISHES : PIN TERMINAL
PREPLATED TIN 1µm MIN.
NICKEL UNDERPLATE 0.5µm MIN.
 - MATERIAL NO.
55932- X X X X

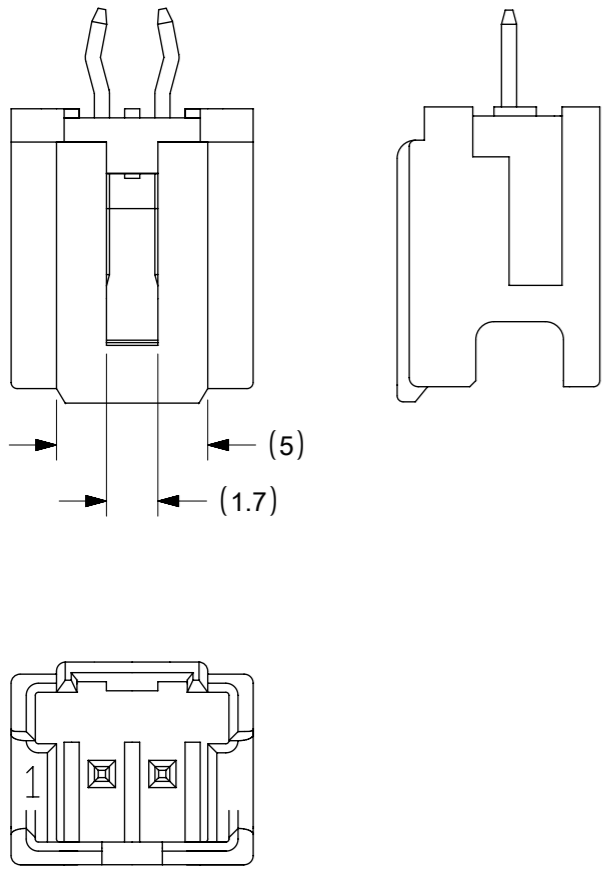
CIRCUIT SIZE5 COLOR

30	NATURAL (WHITE)
31	BLACK
32	RED
33	YELLOW
34	BLUE
35	PINK
36	GREEN
37	BROWN
38	ORANGE
39	VIOLET
51	GRAY
53	FLUORESCENT YELLOW
54	PALE BLUE
55	FLUORESCENT PINK
56	YELLOWISH GREEN
58	FLUORESCENT ORANGE

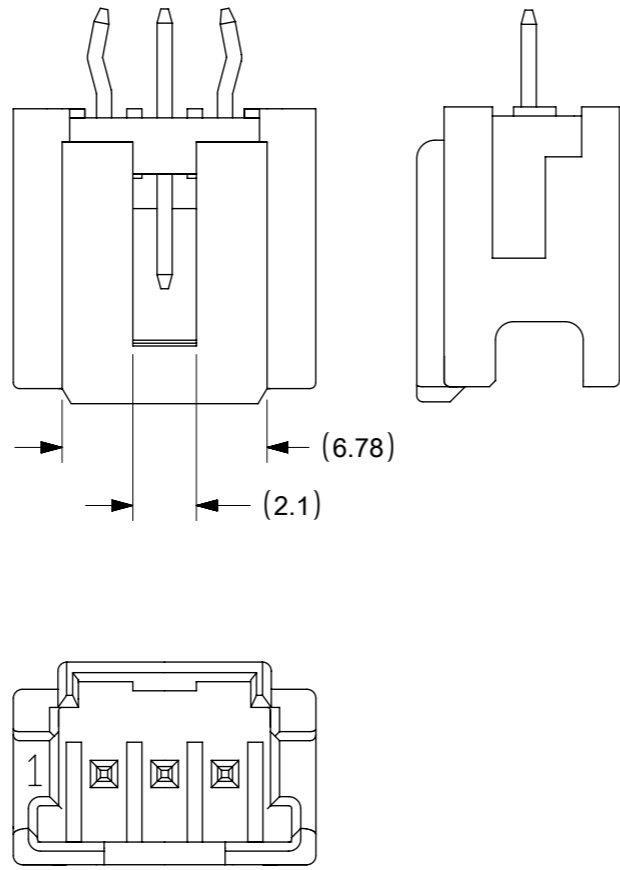
CKT.	△ MATERIAL NO.	A	B	C
2	55932-02XX	8	2	5
3	55932-03XX	10	4	7
4	55932-04XX	12	6	9
5	55932-05XX	14	8	11
6	55932-06XX	16	10	13
7	55932-07XX	18	12	15
8	55932-08XX	20	14	17
9	55932-09XX	22	16	19
10	55932-10XX	24	18	21
11	55932-11XX	26	20	23
12	55932-12XX	28	22	25
13	55932-13XX	30	24	27
14	55932-14XX	32	26	29
15	55932-15XX	34	28	31

MODEL NO. : 55932-****

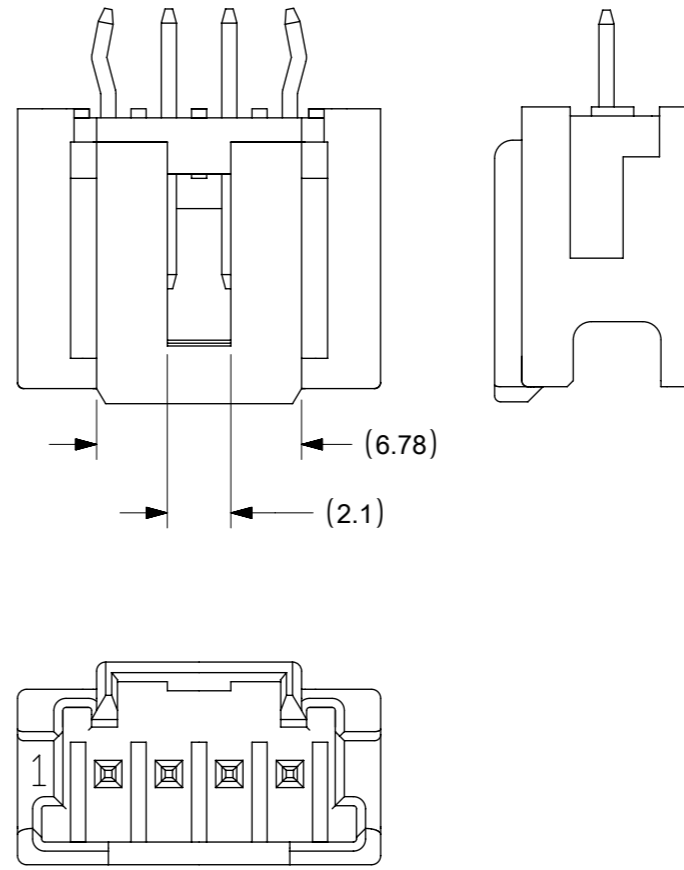
FUNCTIONAL SYMBOLS	THIS DRAWING CONTAINS INFORMATION THAT IS PROPRIETARY TO MOLEX ELECTRONIC TECHNOLOGIES, LLC AND SHOULD NOT BE USED WITHOUT WRITTEN PERMISSION	CURRENT REV DESC: MIGRATED TO ECTR		molex				
	GENERAL TOLERANCES (UNLESS SPECIFIED)	EC NO: 634332	2020/03/02					2.0 W/B CONN. PLUG HOUSING ASSY ST -LEAD FREE-
	ANGULAR TOL ± 3.0°	4 PLACES ±	DRWN: SS06	2020/03/19	PRODUCT CUSTOMER DRAWING			
	3 PLACES ±	2 PLACES ± 0.2	CHK'D: SS06	2020/03/19	DOCUMENT NUMBER			
DIVISIONAL SYMBOLS	1 PLACE ± 0.2	APPR: ISHWARG	2020/03/19	SD-55932-006		DOC TYPE	DOC PART	REVISION
0 PLACES ± 0.2	0 PLACES ± 0.2	INITIAL REVISION:	2002/02/18	SEE TABLE		PSD	001	H1
DRAFT WHERE APPLICABLE MUST REMAIN WITHIN DIMENSIONS	THIRD ANGLE PROJECTION	DRWN: TNIITSU	2002/02/20	GENERAL MARKET		SHEET NUMBER		
		APPR: KASAKAWA		A3-SIZE		1 OF 2		



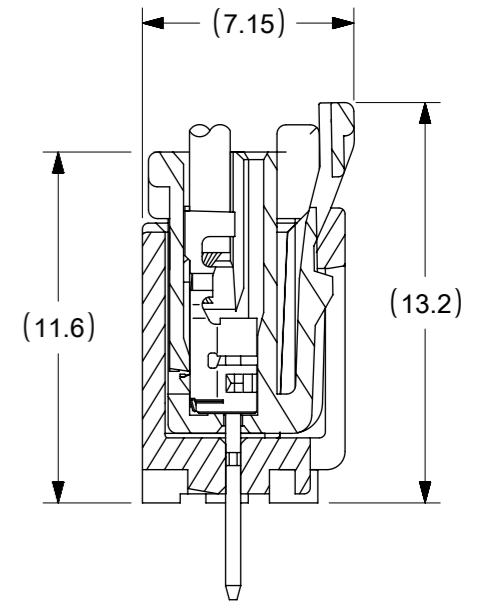
2 CIRCUIT



3 CIRCUIT

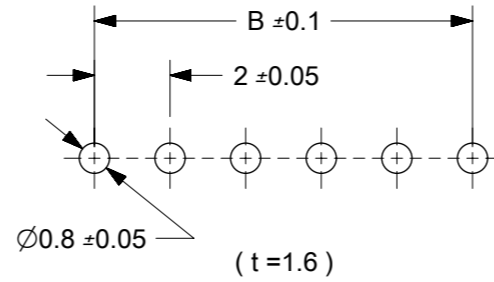
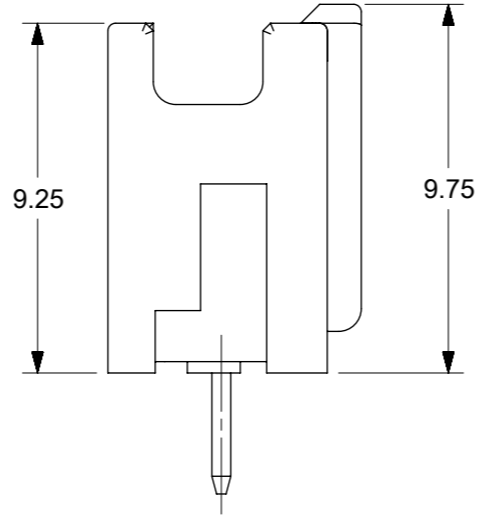
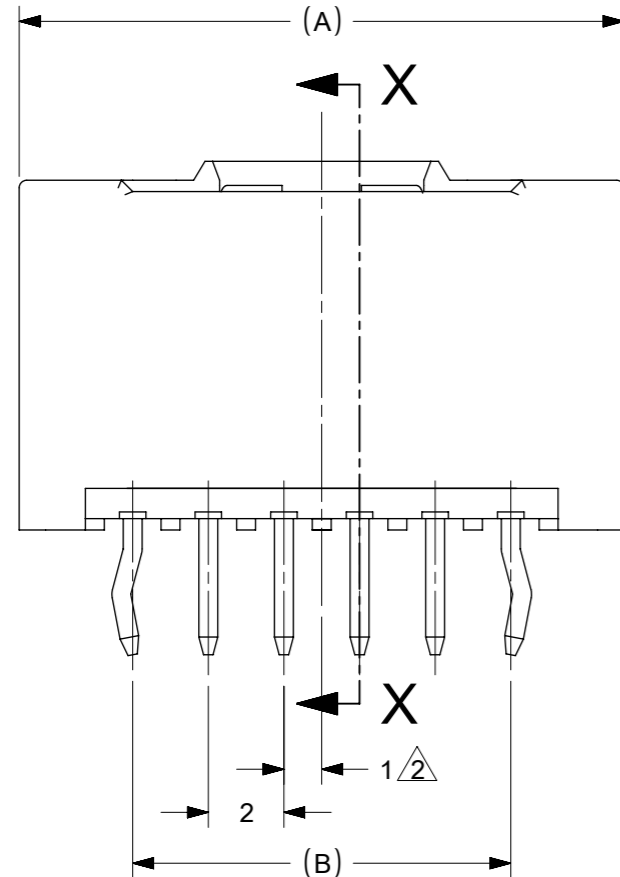
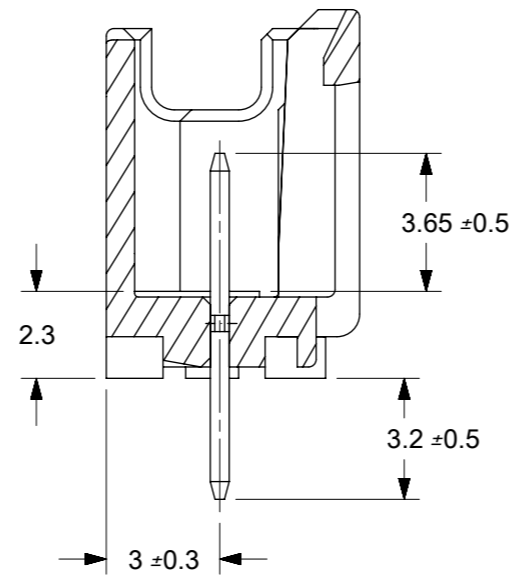
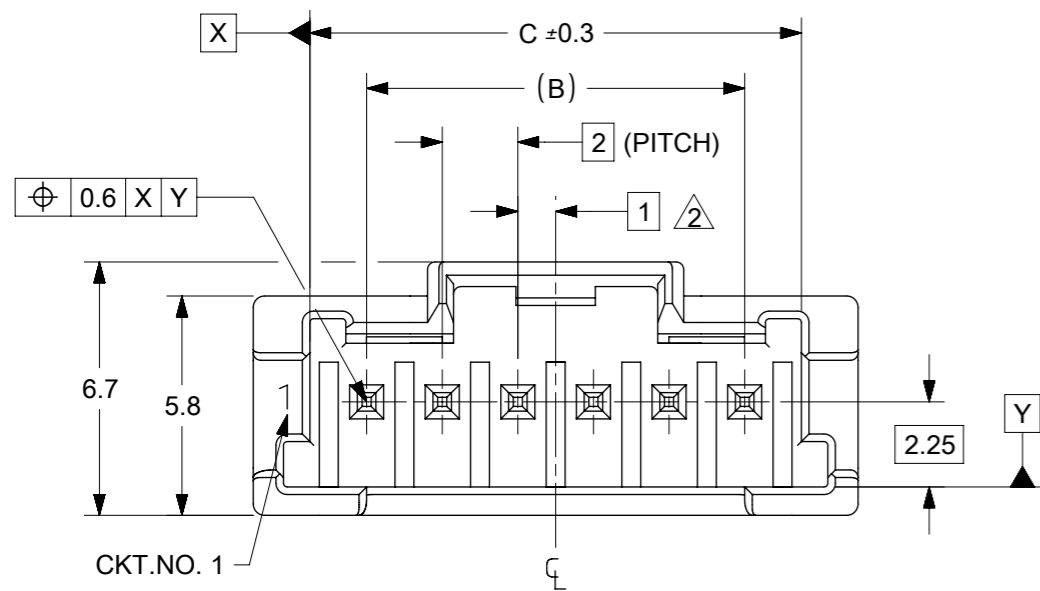


4 CIRCUIT



MATING CROSS SECTION

FUNCTIONAL SYMBOLS	THIS DRAWING CONTAINS INFORMATION THAT IS PROPRIETARY TO MOLEX ELECTRONIC TECHNOLOGIES, LLC AND SHOULD NOT BE USED WITHOUT WRITTEN PERMISSION		CURRENT REV DESC: MIGRATED TO ECTR				
	DIMENSION UNITS	SCALE					
$\nabla_A = 0$	mm	NTS	GENERAL TOLERANCES (UNLESS SPECIFIED)		EC NO: 634332		
$\nabla_B = 0$	ANGULAR TOL $\pm 3.0^\circ$		4 PLACES \pm		DRWN: SS06 2020/03/02		
$\nabla_C = 0$	3 PLACES \pm		2 PLACES ± 0.2		CHK'D: SS06 2020/03/19		
DIVISIONAL SYMBOLS	1 PLACE ± 0.2		0 PLACES ± 0.2		APPR: ISHWARG 2020/03/19		
INITIAL REVISION:			DRWN: TNIITSU 2002/02/18		DOCUMENT NUMBER		
APPR: KASAKAWA 2002/02/20			SERIES		DOC TYPE DOC PART REVISION		
DRAFT WHERE APPLICABLE MUST REMAIN WITHIN DIMENSIONS			THIRD ANGLE PROJECTION		SD-55932-006		
DRAWING			SERIES		PSD 001 H1		
A3-SIZE			55932		MATERIAL NUMBER CUSTOMER SHEET NUMBER		
SEE SHEET 1			GENERAL MARKET		2 OF 2		



NOTE

- MATE WITH 51382-XXXX
- APPLY EVEN CIRCUIT PRODUCTS
- KINK TO BE APPLIED BOTH ENDS
- MATERIALS
HOUSING : PBT, UL94V-0
PIN : BRASS
- FINISHES : PIN TERMINAL
PREPLATED TIN 1µm MIN.
NICKEL UNDERPLATE 0.5µm MIN.
- MATERIAL NO.

55932- X X X X

CIRCUIT SIZE — COLOR

30	NATURAL (WHITE)
31	BLACK
32	RED
33	YELLOW
34	BLUE
35	PINK
36	GREEN
37	BROWN
38	ORANGE
39	VIOLET
51	GRAY
53	FLUORESCENT YELLOW
54	PALE BLUE
55	FLUORESCENT PINK
56	YELLOWISH GREEN
58	FLUORESCENT ORANGE

CKT.	△ MATERIAL NO.	A	B	C
2	55932-02XX	8	2	5
3	55932-03XX	10	4	7
4	55932-04XX	12	6	9
5	55932-05XX	14	8	11
6	55932-06XX	16	10	13
7	55932-07XX	18	12	15
8	55932-08XX	20	14	17
9	55932-09XX	22	16	19
10	55932-10XX	24	18	21
11	55932-11XX	26	20	23
12	55932-12XX	28	22	25
13	55932-13XX	30	24	27
14	55932-14XX	32	26	29
15	55932-15XX	34	28	31

MODEL NO. : 55932- ****

THIS DRAWING CONTAINS INFORMATION THAT IS PROPRIETARY TO MOLEX ELECTRONIC TECHNOLOGIES, LLC AND SHOULD NOT BE USED WITHOUT WRITTEN PERMISSION

FUNCTIONAL SYMBOLS: ∇/\bar{A} = 0, ∇/E = 0, ∇/\bar{V} = 0

DIMENSION UNITS: mm, SCALE: NTS

GENERAL TOLERANCES (UNLESS SPECIFIED): ANGULAR TOL ± 3.0°, 4 PLACES ±, 3 PLACES ±, 2 PLACES ± 0.2, 1 PLACE ± 0.2, 0 PLACES ± 0.2

DIVISIONAL SYMBOLS: DRAFT WHERE APPLICABLE MUST REMAIN WITHIN DIMENSIONS

THIRD ANGLE PROJECTION:

DRAWING: A3-SIZE, SERIES: 55932

EC NO: 634332, DRWN: SS06, APPR: ISHWARG, INITIAL REVISION: DRWN: YMAEDA, APPR: NUKITA

DATE: 2020/03/02, 2020/03/19, 2020/03/19, 2005/11/08, 2005/11/09

CURRENT REV DESC: MIGRATED TO ECTR

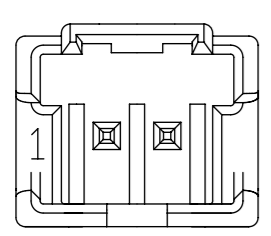
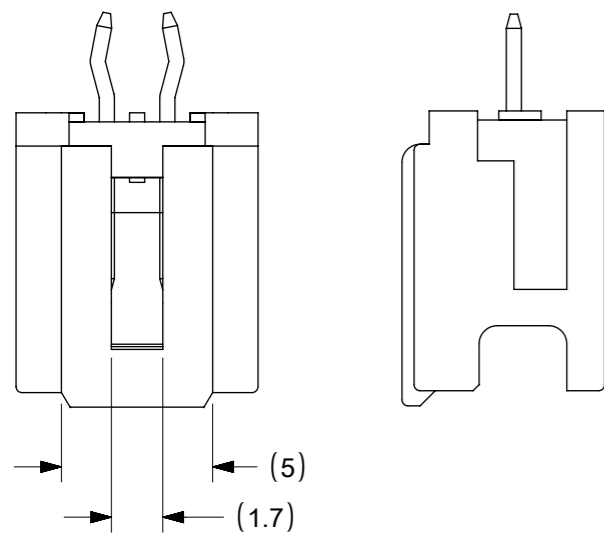
molex

2.0 W/B CONN.PLUG HOUSING ASS'Y WO BOSS -LEAD FREE-

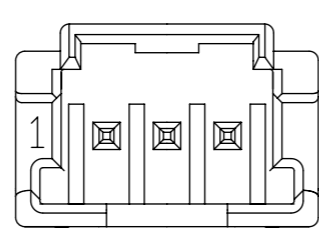
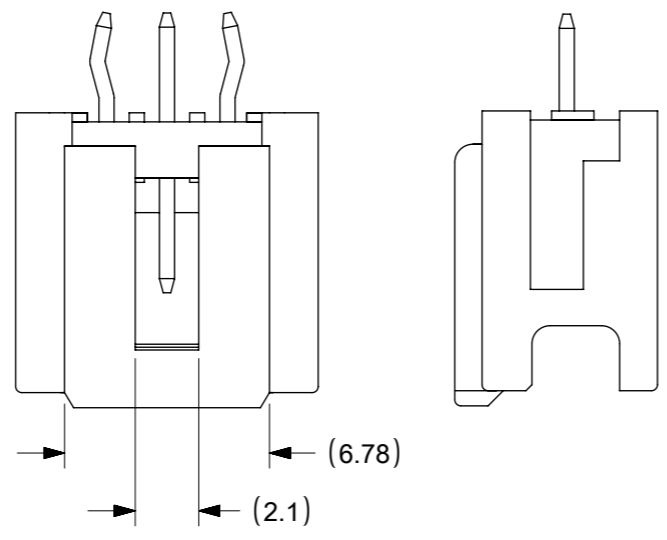
PRODUCT CUSTOMER DRAWING

DOCUMENT NUMBER: SD-55932-007, DOC TYPE: PSD, DOC PART: 001, REVISION: A1

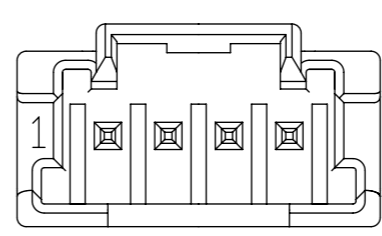
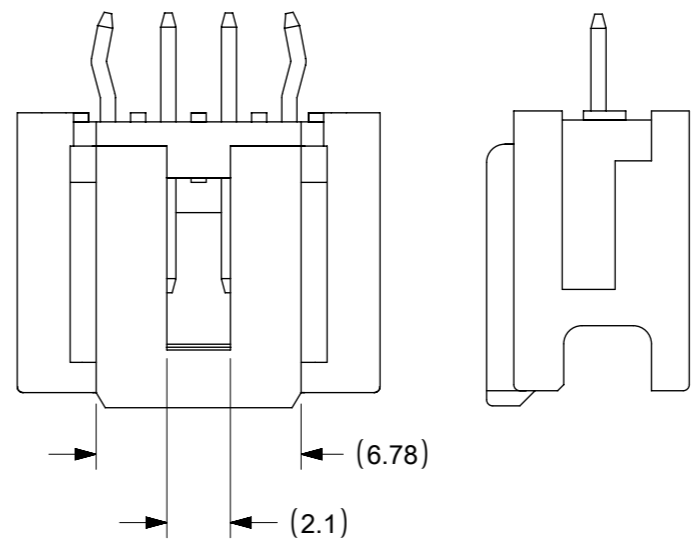
MATERIAL NUMBER: SEE TABLE, CUSTOMER: GENERAL MARKET, SHEET NUMBER: 1 OF 2



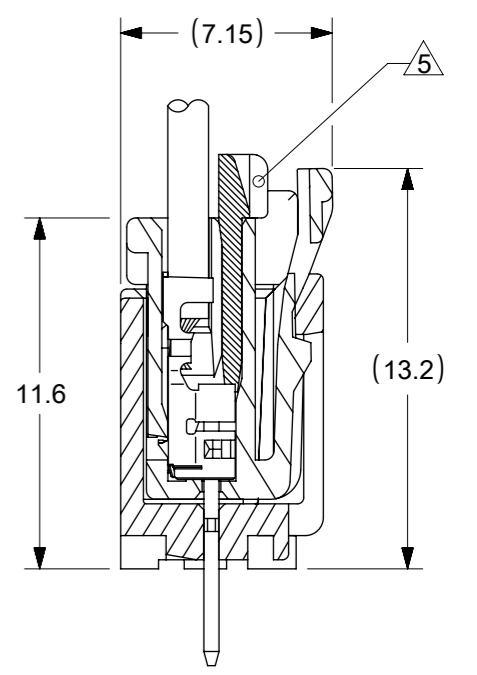
2 CIRCUIT



3 CIRCUIT



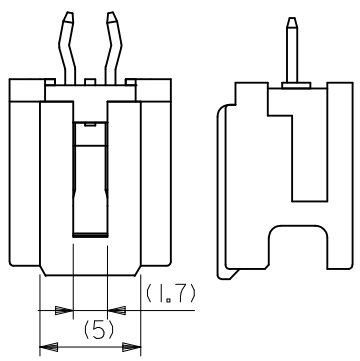
4 CIRCUIT



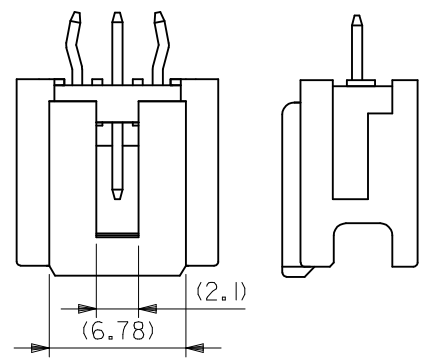
MATING CROSS SECTION

MODEL NO. : 55932-****

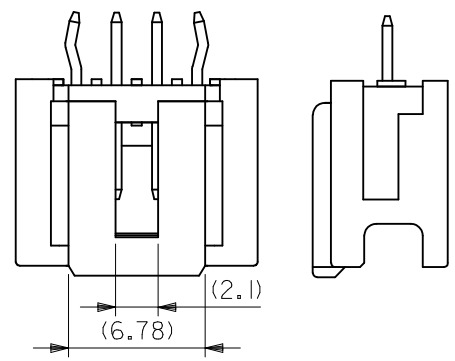
FUNCTIONAL SYMBOLS $\nabla_A = 0$ $\nabla_B = 0$ $\nabla_C = 0$ DIVISIONAL SYMBOLS	THIS DRAWING CONTAINS INFORMATION THAT IS PROPRIETARY TO MOLEX ELECTRONIC TECHNOLOGIES, LLC AND SHOULD NOT BE USED WITHOUT WRITTEN PERMISSION CURRENT REV DESC: MIGRATED TO ECTR	molex 2.0 W/B CONN.PLUG HOUSING ASS'Y WO BOSS -LEAD FREE- PRODUCT CUSTOMER DRAWING		
	DIMENSION UNITS: mm SCALE: NTS GENERAL TOLERANCES (UNLESS SPECIFIED) ANGULAR TOL $\pm 3.0^\circ$			
	4 PLACES \pm 3 PLACES \pm 2 PLACES ± 0.2 1 PLACE ± 0.2 0 PLACES ± 0.2	INITIAL REVISION: DRWN: YMAEDA APPR: NUKITA	2005/11/08 2005/11/09	MATERIAL NUMBER: SEE SHEET 1 CUSTOMER: GENERAL MARKET SHEET NUMBER: 2 OF 2
	DRAFT WHERE APPLICABLE MUST REMAIN WITHIN DIMENSIONS THIRD ANGLE PROJECTION	DRAWING: A3-SIZE SERIES: 55932	SEE SHEET 1 GENERAL MARKET	SHEET NUMBER: 2 OF 2



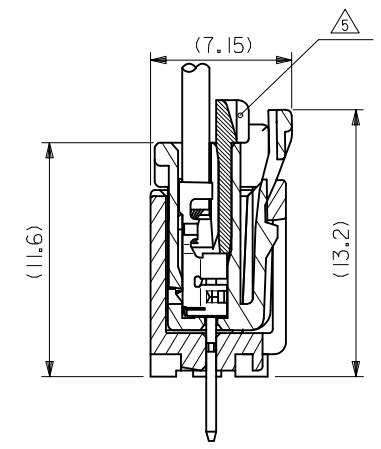
2 CIRCUIT



3 CIRCUIT



4 CIRCUIT



嵌合断面図

MODEL NO. : 55932-****

REVISED EC NO: J2016-0482 DRWN: MIYABE 2015/10/13 CHKD: KASAKAWA 2015/11/10 APPR: NUKITA 2015/12/24	GENERAL TOLERANCES (UNLESS SPECIFIED)			DIMENSION STYLE MM ONLY		SCALE ---	DESIGN UNITS METRIC	THIRD ANGLE PROJECTION
	0.25 UNDER	UNDER	±0.03	DRAWN BY YMAEDA	DATE 2005/06/13	TITLE 2.0 W/B CONN.PLUG HOUSING ASS'Y W/O BOSS -LEAD FREE-		
	0.25 OVER	0.5 UNDER	±0.05	CHECKED BY MTANAKA	DATE 2005/06/13			
	0.5 OVER	1.0 UNDER	±0.1	APPROVED BY NUKITA	DATE 2005/06/13			
	1.0 OVER	10 UNDER	±0.2	MATERIAL NO. SEE SHEET 1		DOCUMENT NO. SD-55932-007	SHEET NO. 2 OF 2	
	10 OVER	30 UNDER	±0.25	THIS DRAWING CONTAINS INFORMATION THAT IS PROPRIETARY TO MOLEX INCORPORATED AND SHOULD NOT BE USED WITHOUT WRITTEN PERMISSION				
30 OVER		±0.3						
ANGULAR ±3 °			DRAFT WHERE APPLICABLE MUST REMAIN WITHIN DIMENSIONS		SIZE A3			