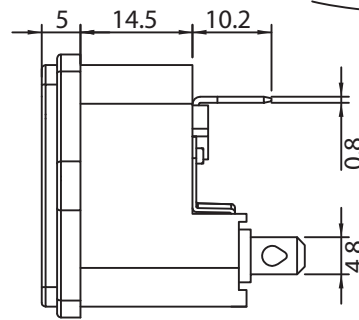
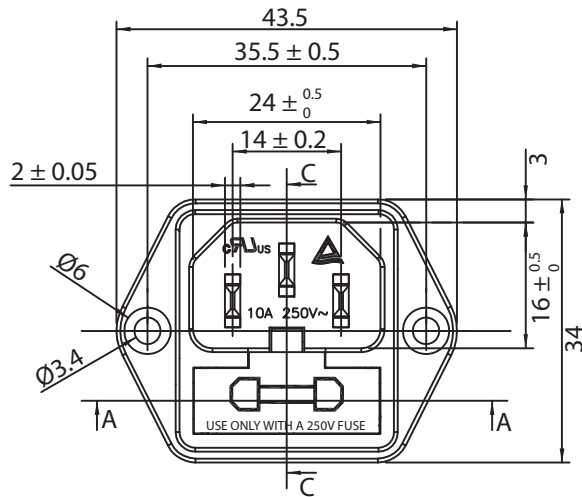
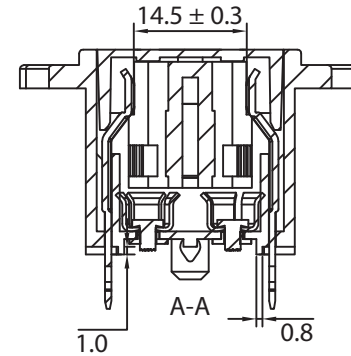
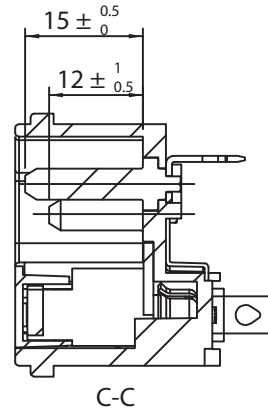
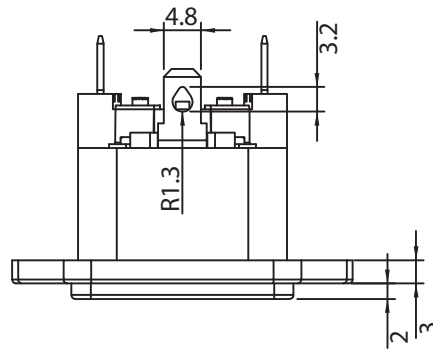
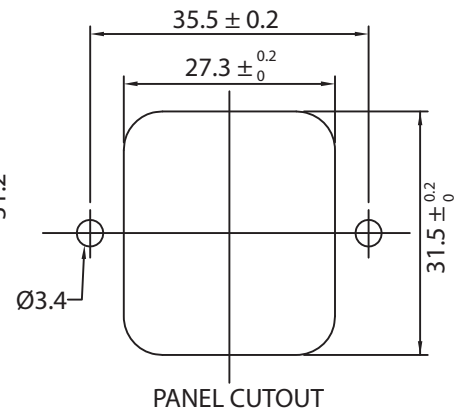
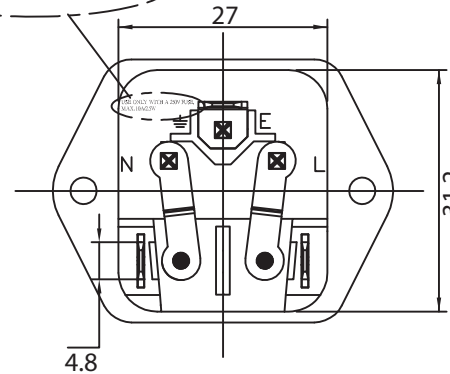


THESE DRAWINGS ARE THE PROPERTY OF QUALTEK ELECTRONICS AND NOT TO BE REPRODUCED FOR OR COMMUNICATED TO A THIRD PARTY WITHOUT THE EXPRESS WRITTEN PERMISSION OF AN OFFICER OF QUALTEK ELECTRONICS.

REVISION			
REV.	DESCRIPTION	DATE	APPROVED



USE ONLY WITH A 250V FUSE,  
MAX. 10A/2.5W



**CONTROLLED**

NOTES:

RATING: 10A 250V AC  
 APPROVALS: UL, cUL, TUV  
 DUAL FUSEHOLDER  
 FUSES NOT INCLUDED - RECOMMENDED SIZE: 5 X 20MM  
 RoHS COMPLIANT

Dim range (mm)	Tolerance +/- (mm)	Qualtek Electronics Corp. PPC DIVISION		
		Part Number:	719WA-00/48	RoHS Compliant
0-1	0.30	Description: AC RECEPTACLE		
1-6	0.40			
6-18	0.45	UNIT: mm		
18-50	0.50	Drawn / Date	Checked / Date	Approved / Date
50-120	0.70	R. Nuti	11-29-11	LY / 11-29-11
120-250	0.90			
250-500	1.20			

# Mouser Electronics

Authorized Distributor

Click to View Pricing, Inventory, Delivery & Lifecycle Information:

[Qualtek:](#)

[719WA-00/48](#)