

LOC DS

DIST -

REVISIONS

P	LTR	DESCRIPTION	DATE	DWN	APVD
A		RELEASE	20.Oct.'09	GC	JK
AI		REVISED(ECR-13-012673)	05.SEP.'13	CJ	HG

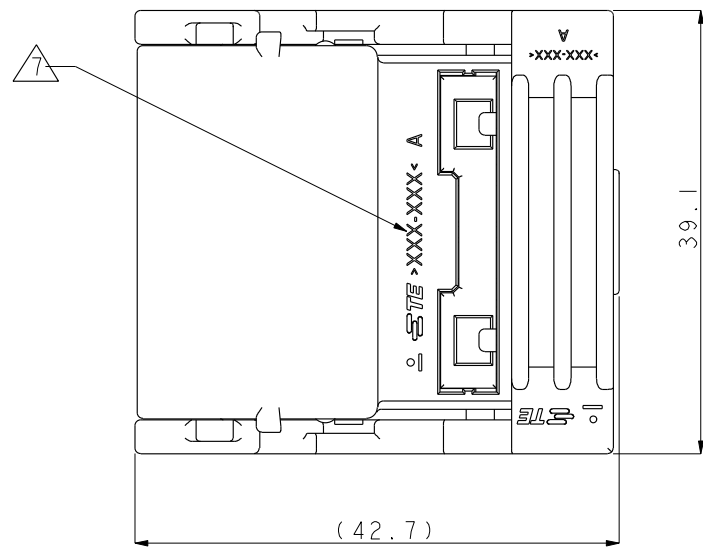
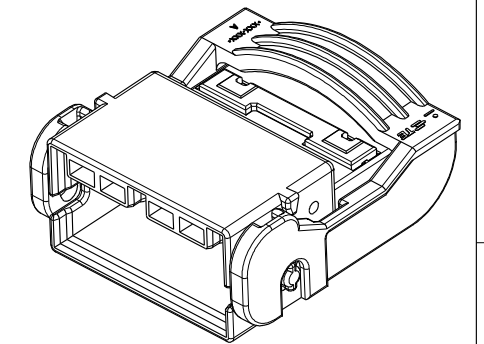


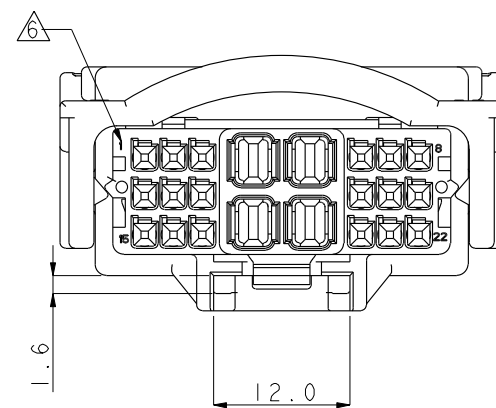
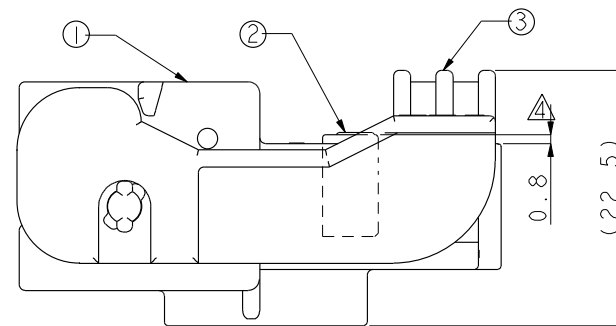
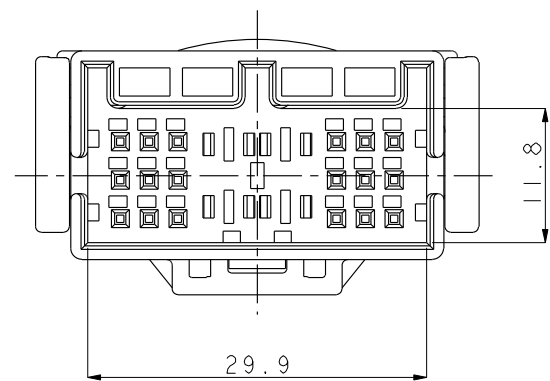
TABLE 1. APPLICABLE TAB CONTACT.

TAB	PART NO.	WIRE RANGE(mm ²)	INSULATION DIA.(mm) (FLR)
MQS (0.64)	1355719	0.14-0.22	0.9-1.2
	928918	0.2-0.5	0.9-1.6
	963716	0.5-0.75	1.6-1.9
MCP 2.8	964292	0.2-0.5	1.15-1.6
	964294	0.5-1.0	1.4-2.1
	964296	1.25-2.5	2.2-3.0
	968946	4.0	3.4-3.7



ISO VIEW

(AI)



NOTE ;

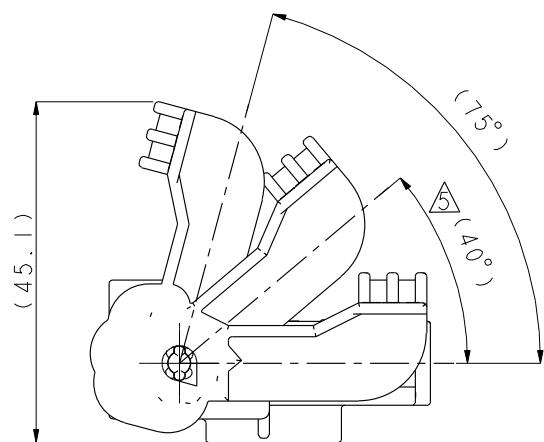
- GENERAL TOLERANCE : $\pm 0.3, \pm 3.0^\circ$
- APPLICABLE TAB CONTACT : SEE TABLE 1.
- THE MATING PLUG ASS'Y P/N : 1897543
- DELIVERY CONDITION : TPA 1'ST LOCKING.
- DEGREE OF LEVER ASS'Y
- CURCUIT NO.
- MATERIAL ID MARK
 - 1897540-2 : >PBT-GF15<
 - 1897540-1 : >PA66-GF10<
- APPLICATION
 - 1897540-2 : FOR IN-LINE CONNECTOR
 - 1897540-1 : FOR TRANSMISSION CONNECTOR

(AI)

(AI)

NO.	PART NO.	DESCRIPTION	MATERIAL	COLOR	Q'TY
(AI) 3	1897532-3	LEVER	PA66-GF35	GRAY	I
	1897532-2		PBT-GF20	BLACK	I
(AI) 2	1897542-6	CAP DBL	PA66-GF10	RED	I
	1897542-1		PBT	WHITE	I
(AI) 1	1897541-1	CAP HSG	PA66-GF10	NATURAL	I
	1897541-2		PBT-GF15	BLACK	I

ASS'Y P/N	DESCRIPTION	REMARK
1897540-1	CAP HSG ASS'Y	
1897540-2	CAP HSG ASS'Y	



FULL SWING LEVER LOCATION

THIS DRAWING IS A CONTROLLED DOCUMENT.

DIMENSIONS: mm

TOLERANCES UNLESS OTHERWISE SPECIFIED:

0 PLC	±
1 PLC	±
2 PLC	±
3 PLC	±
4 PLC	±
ANGLES	±
FINISH	-

MATERIAL -

DWN CJ CHOI

CHK KT LIM

APVD HG CHO

PRODUCT SPEC -

APPLICATION SPEC -

WEIGHT -

CUSTOMER DRAWING

STE TE Connectivity

NAME: HYB(MQS/MCP2.8) 22P CAP HSG ASS'Y

SIZE: A3 CAGE CODE: 300779 DRAWING NO: 1897540

RESTRICTED TO: -

SCALE: SHEET OF REV: AI

Mouser Electronics

Authorized Distributor

Click to View Pricing, Inventory, Delivery & Lifecycle Information:

[TE Connectivity:](#)

[1897540-2](#)