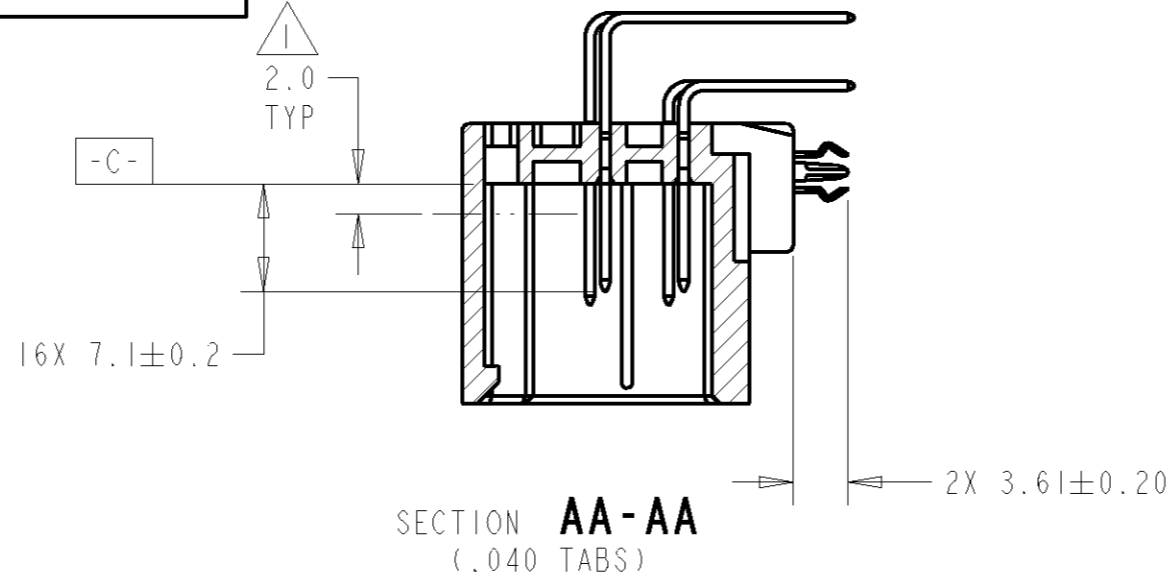
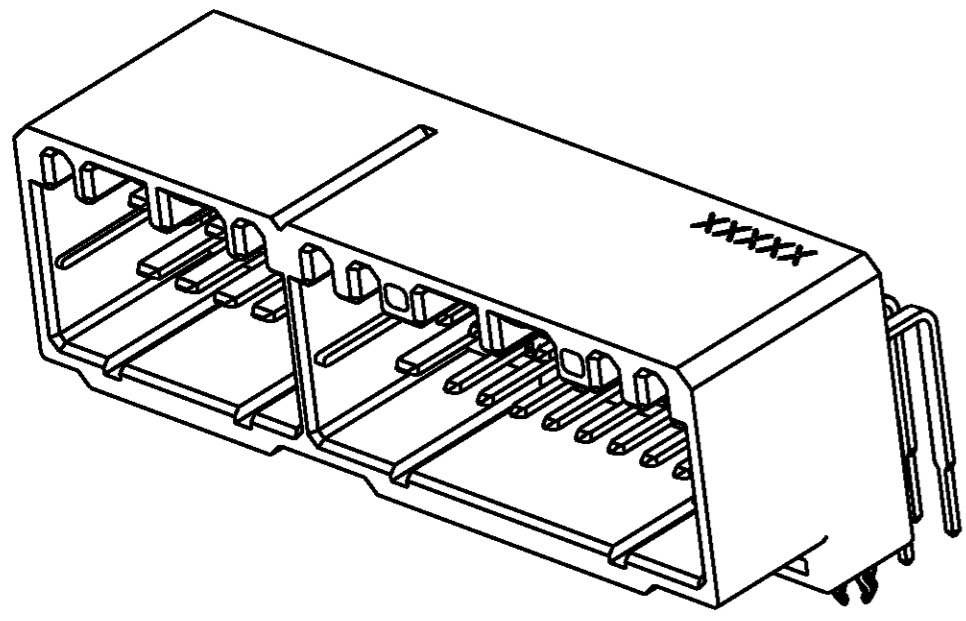
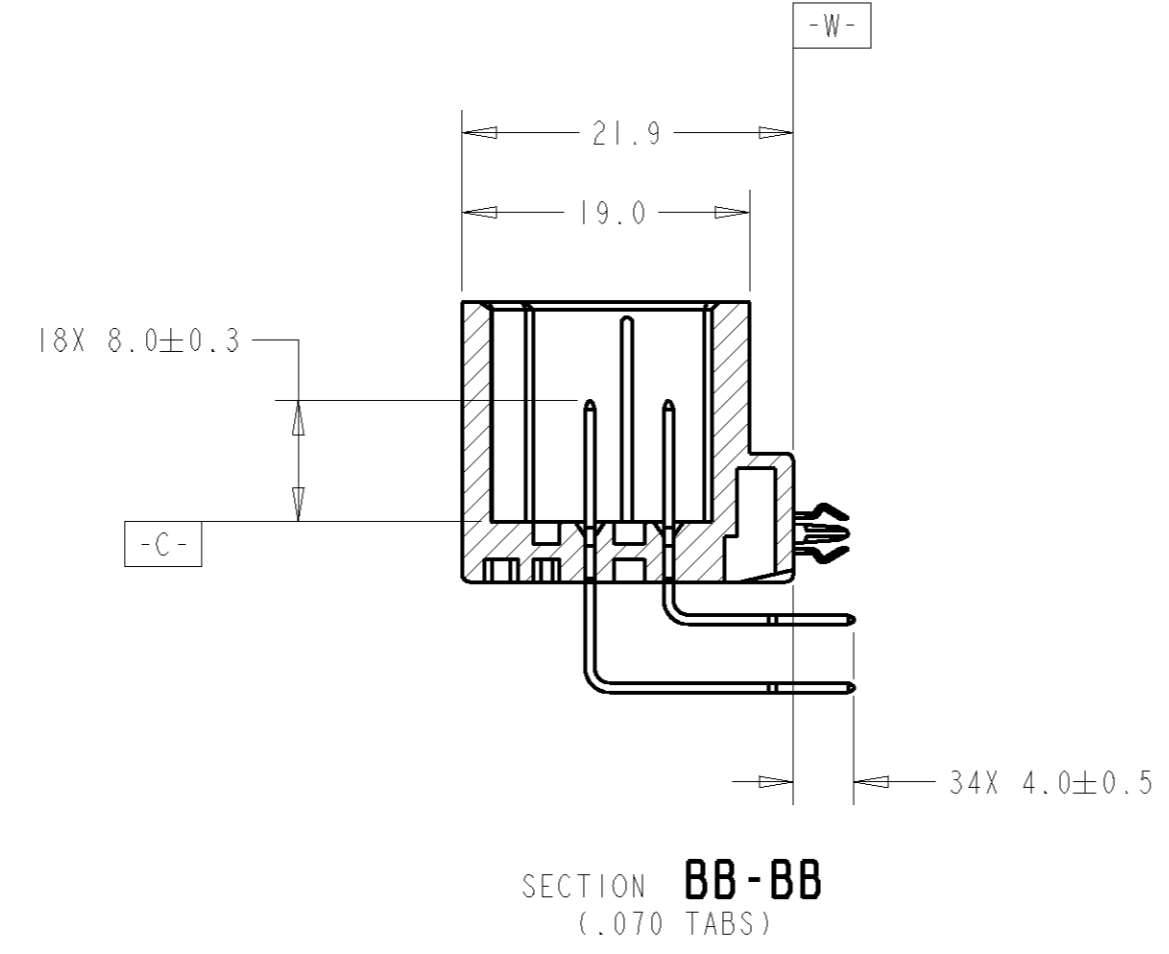
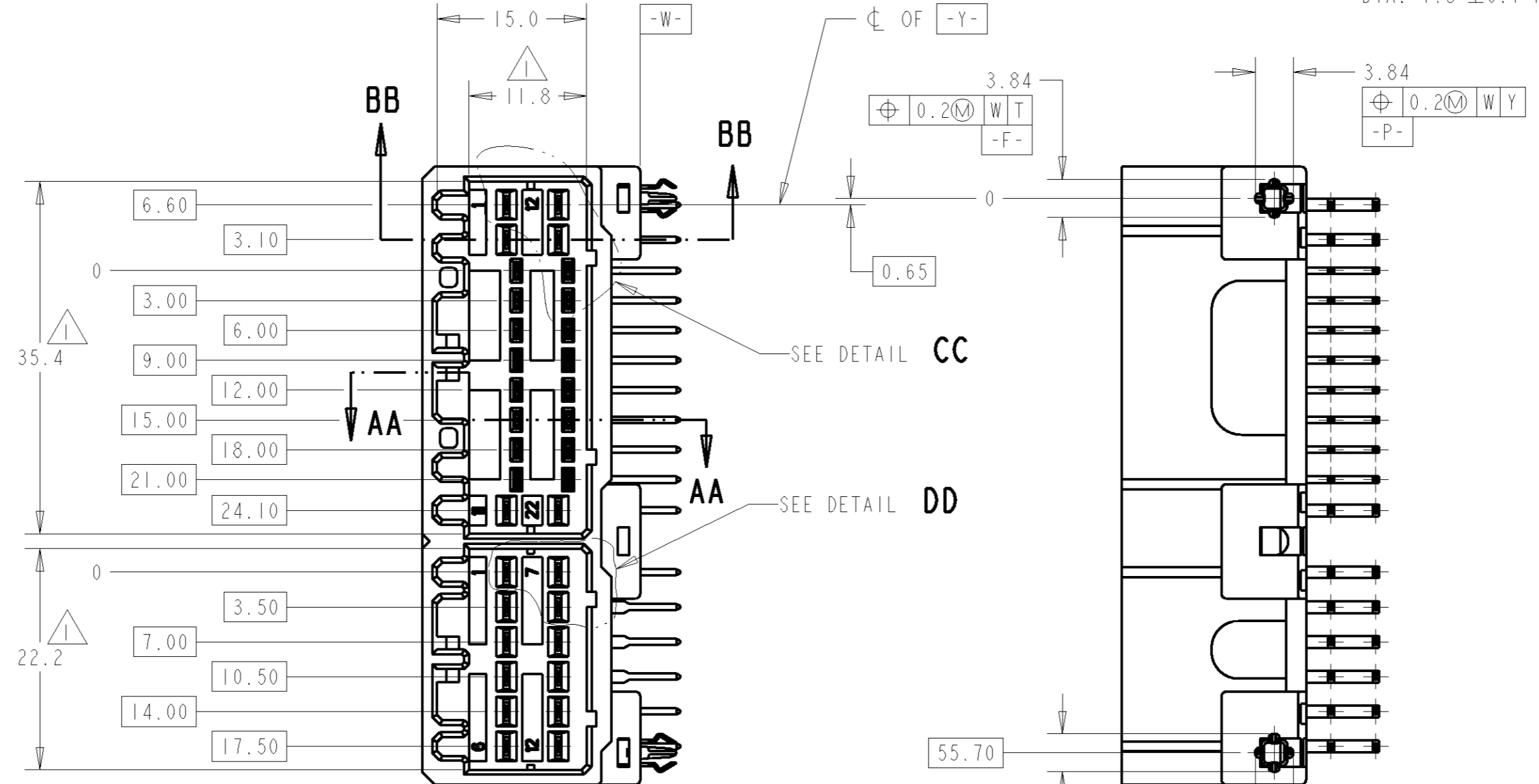
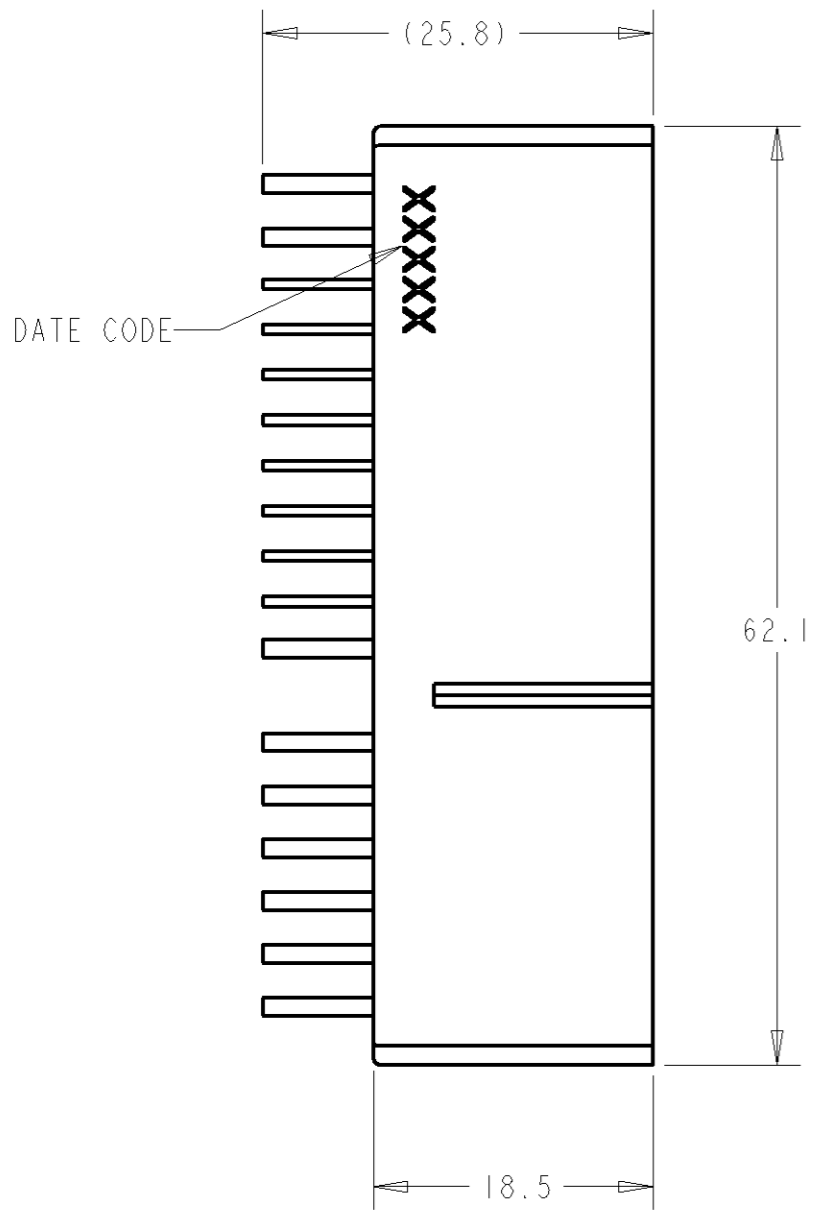


THIS DRAWING IS UNPUBLISHED. RELEASED FOR PUBLICATION 20
 © COPYRIGHT 20 BY TYCO ELECTRONICS CORPORATION. ALL RIGHTS RESERVED.

| LOC | DIST | REVISIONS | | | |
|-----|------|---------------------------------|-----------|-----|------|
| P | LTR | DESCRIPTION | DATE | DWN | APVD |
| | O | PRELIM RLSD PER EC 0K80-0413-04 | 24NOV2004 | RGV | RMC |
| | A | REVISED PER EC 0K80-0021-05 | 04FEB2005 | RDW | RMC |
| | AI | RELEASED PER ECR 05-000198 | 20MAY2005 | DLD | RMC |



- 1 DIMENSION MUST BE HELD BETWEEN -C- AND 2mm FROM -C-
- 2 DATUMS AND BASIC DIMENSIONS ESTABLISHED BY CUSTOMER.
- 3. THE MATING PLUG PART NUMBERS ARE 917978 AND 917989.
- 4 JAPAN PART NUMBER 175444-6 CUSTOMER DRAWING RECOMMENDS DIA. 1.1 ±0.1 HOLES. USA RECOMMENDS HOLE DIA. 1.3 ±0.1 FOR ROBOTIC PLACEMENT.



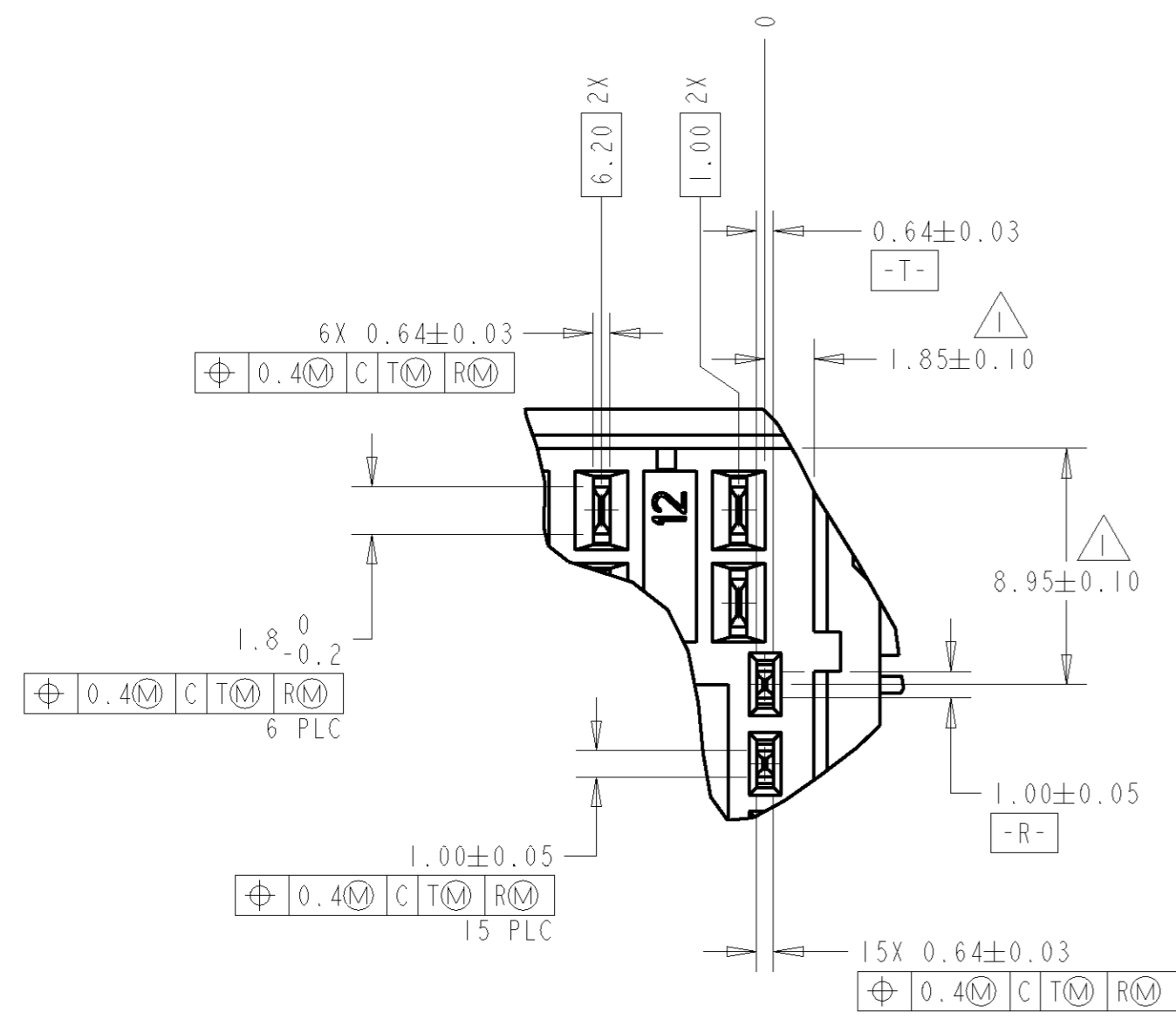
| | | | | | | |
|-----------|---------|----------|---------|----------|---------|-------------|
| BRASS | PRE-TIN | BRASS | PRE-TIN | PBT | NATURAL | 9-1438845-1 |
| MATERIAL | FINISH | MATERIAL | FINISH | MATERIAL | COLOR | PART NO |
| BOARDLOCK | | CONTACT | | HOUSING | | |

| | | | |
|--|--|---|--|
| <small>THIS DRAWING IS A CONTROLLED DOCUMENT FOR TYCO ELECTRONICS CORPORATION. IT IS SUBJECT TO CHANGE AND THE CONTROLLING ENGINEERING ORGANIZATION SHOULD BE CONTACTED FOR THE LATEST REVISION.</small> | | DWN R VESTAL 24NOV2004 CHK R COOPER 24NOV2004 APVD R COOPER 24NOV2004 | tyco Tyco Electronics Harrisburg, PA 17105-3608 |
| DIMENSIONS: mm | | PRODUCT SPEC APPLICATION SPEC WEIGHT CUSTOMER DRAWING | NAME CAP ASSEMBLY, 34 POSN, 040/070 HYBRID, HORIZONTAL MULTILOCK, WITH BOARDLOCKS |
| TOLERANCES UNLESS OTHERWISE SPECIFIED: 0 PLC ± 1 PLC ±0.3 2 PLC ±0.15 3 PLC ± 4 PLC ± ANGLES ±° FINISH | | MATERIAL SEE TABLE TOLERANCES UNLESS OTHERWISE SPECIFIED: SEE TABLE | SIZE A2 CAGE CODE 00779 DRAWING NO C-1438845 RESTRICTED TO - SCALE 2:1 SHEET 1 OF 2 REV AI |

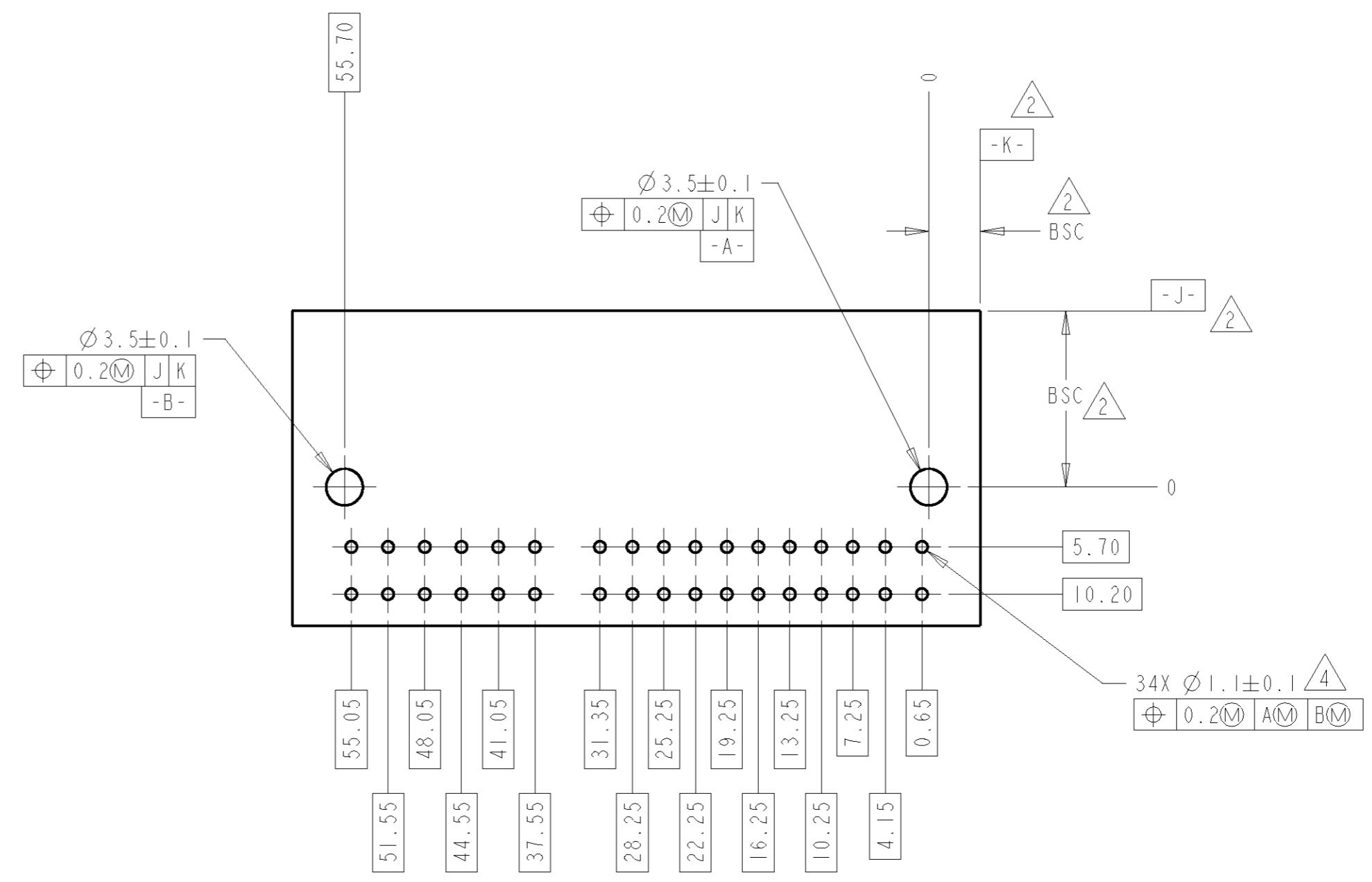
1438845

THIS DRAWING IS UNPUBLISHED. RELEASED FOR PUBLICATION 20
 © COPYRIGHT 20 BY TYCO ELECTRONICS CORPORATION. ALL RIGHTS RESERVED.

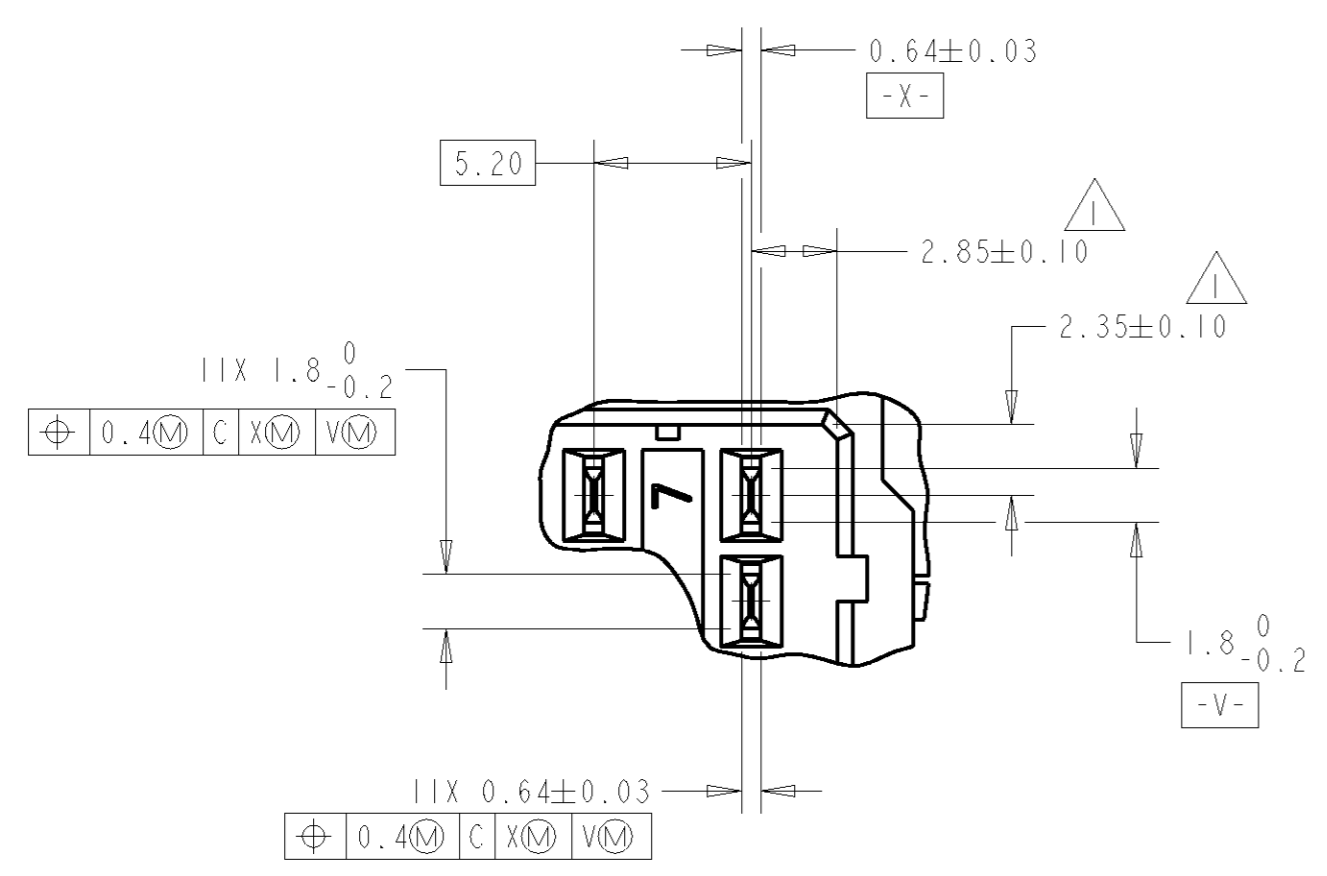
| LOC | DIST | REVISIONS | | | |
|-----|------|-------------|------|-----|------|
| P | LTR | DESCRIPTION | DATE | DWN | APVD |
| FX | 00 | SEE SHEET 1 | - | - | - |



DETAIL CC
SCALE 4:1



PC BOARD LAYOUT (SOLDER SIDE)
(RECOMMENDED BOARD THICKNESS 1.57mm)



DETAIL DD
SCALE 4:1

| | | | |
|--|---|---|--|
| <small>THIS DRAWING IS A CONTROLLED DOCUMENT FOR TYCO ELECTRONICS CORPORATION. IT IS SUBJECT TO CHANGE AND THE CONTROLLING ENGINEERING ORGANIZATION SHOULD BE CONTACTED FOR THE LATEST REVISION.</small> | | DWN R VESTAL 24NOV2004 CHK R COOPER 24NOV2004 APVD R COOPER 24NOV2004 | tyco Electronics Tyco Electronics Harrisburg, PA 17105-3608 |
| DIMENSIONS: mm | TOLERANCES UNLESS OTHERWISE SPECIFIED: 0 PLC ± 1 PLC ±0.3 2 PLC ±0.15 3 PLC ± 4 PLC ± ANGLES ±° FINISH | PRODUCT SPEC - APPLICATION SPEC - WEIGHT - | NAME CAP ASSEMBLY, 34 POSN, 040/070 HYBRID, HORIZONTAL MULTILOCK, WITH BOARDLOCKS SIZE A2 CAGE CODE 00779 DRAWING NO. 1438845 RESTRICTED TO - |
| MATERIAL - | | CUSTOMER DRAWING | SCALE 2:1 SHEET 2 OF 2 REV A1 |

1438845

Mouser Electronics

Authorized Distributor

Click to View Pricing, Inventory, Delivery & Lifecycle Information:

[TE Connectivity:](#)

[9-1438845-1](#)