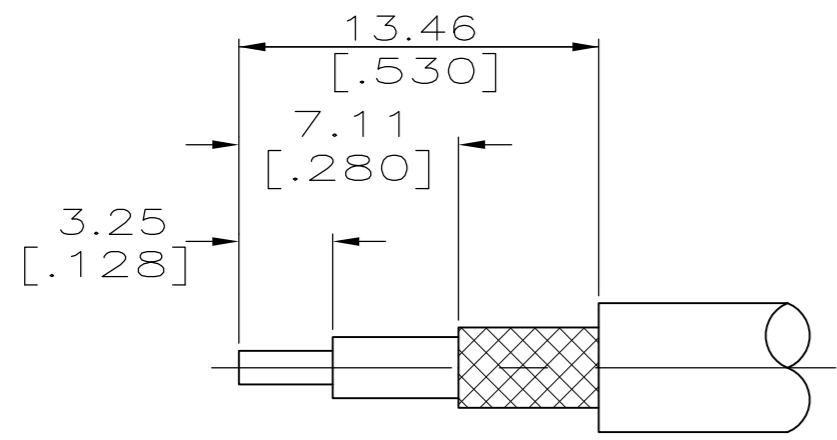
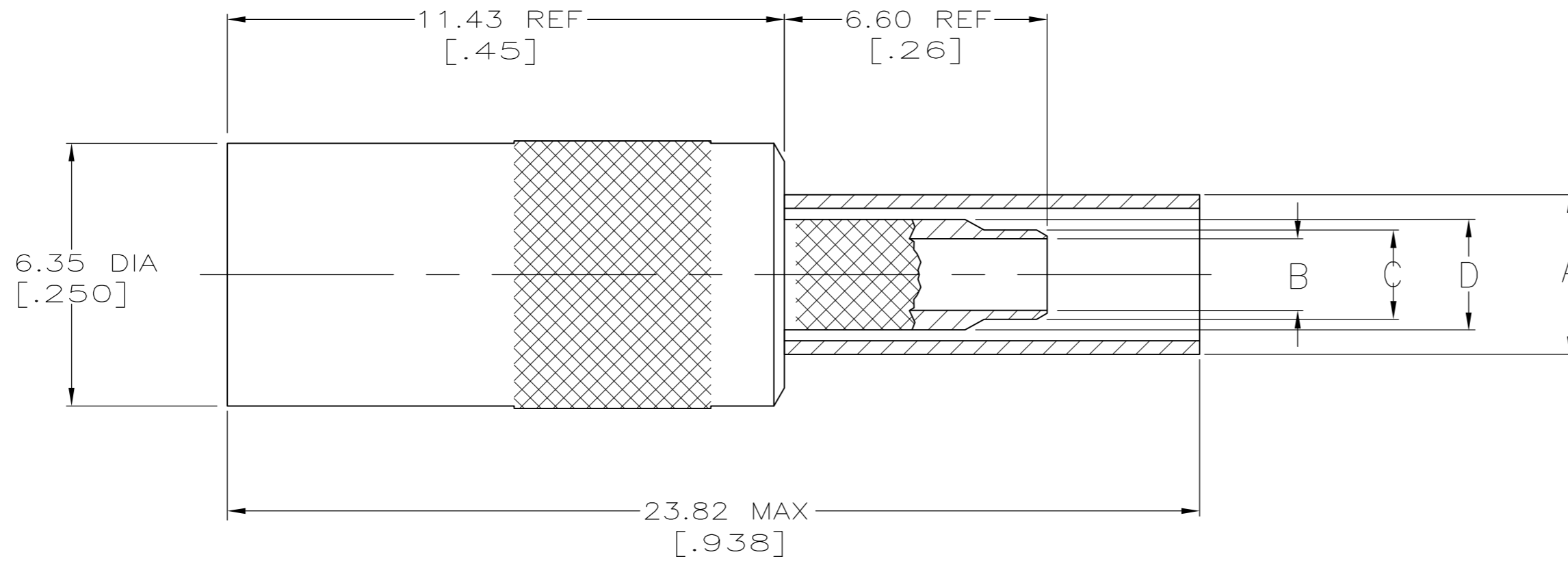


THIS DRAWING IS UNPUBLISHED. RELEASED FOR PUBLICATION
 © COPYRIGHT - By - ALL RIGHTS RESERVED.

LOC		DIST		REVISIONS					
AJ		16		P	LTR	DESCRIPTION	DATE	DWN	APVD
				M2		ECR-12-005726	27MAR12	RK	MY



RECOMMENDED STRIP LENGTHS
SCALE NTS



- MATERIALS:
 BODY...BRASS PER QQ-B-626
 INNER AND OUTER CONTACTS...
 BERYLLIUM COPPER PER QQ-C-533
 DIELECTRIC...PTFE PER LP-403
- FINISH:
 BODY,CENTER AND OUTER CONTACTS...
 GOLD PER MIL-G-45204 OVER
 NICKEL PER QQ-N-290
- FINISH:
 BODY...NICKEL PER QQ-N-290 OVER
 COPPER PER MIL-C-14550
 CENTER AND OUTER CONTACTS...
 GOLD PER MIL-G-45204 OVER
 NICKEL PER QQ-N-290
- FINISH:
 BODY AND OUTER CONTACT...NICKEL
 PER QQ-N-290 OVER COPPER PER
 MIL-C-14550
 CENTER CONTACT...GOLD PER
 MIL-G-45204 OVER NICKEL PER
 QQ-N-290
- INTERFACE PER MIL-C-39012
- SEE I.S. SHEET 2987-12

	B	58483-1	.128	HX4-1637	4	K699	2.64 [.104]	2.16 [.085]	1.70 [.067]	3.86 [.152]	4	RG 179,161,187	1-413985-2
	B	58483-1	.128	HX4-1637	4	K699	2.64 [.104]	2.16 [.085]	1.70 [.067]	3.86 [.152]	3	RG 179,161,187	1-413985-1
OBSOLETE	B	58483-1	.128	HX4-1637	4	K699	2.64 [.104]	2.16 [.085]	1.70 [.067]	3.86 [.152]	2	RG 179,161,187	1-413985-0
	A	58483-1	.105	HX4-1637	4	K699	1.98 [.076]	1.37 [.055]	0.96 [.040]	3.86 [.152]	4	RG 178,196	413985-9
	C	58483-1	.151	HX4-1637	4	K699	2.64 [.104]	2.16 [.085]	1.70 [.067]	4.54 [.179]	4	RG 174,188,316(ALL DBL SHIELDED)	413985-8
	B	58483-1	.128	HX4-1637	4	K699	2.64 [.104]	2.16 [.085]	1.70 [.067]	3.86 [.152]	4	RG 174,188,316	413985-7
OBSOLETE	A	58483-1	.105	HX4-1637	4	K699	1.98 [.076]	1.37 [.055]	0.96 [.040]	3.86 [.152]	3	RG 178,196	413985-6
	A	58483-1	.105	HX4-1637	4	K699	1.98 [.076]	1.37 [.055]	0.96 [.040]	3.86 [.152]	2	RG 178,196	413985-5
	C	58483-1	.151	HX4-1637	4	K699	2.64 [.104]	2.16 [.085]	1.70 [.067]	4.54 [.179]	3	RG 174,188,316(ALL DBL SHIELDED)	413985-4
	B	58483-1	.128	HX4-1637	4	K699	2.64 [.104]	2.16 [.085]	1.70 [.067]	3.86 [.152]	3	RG 174,188,316	413985-3
	C	58483-1	.151	HX4-1637	4	K699	2.64 [.104]	2.16 [.085]	1.70 [.067]	4.54 [.179]	2	RG 174,188,316(ALL DBL SHIELDED)	413985-2
	B	58483-1	.128	HX4-1637	4	K699	2.64 [.104]	2.16 [.085]	1.70 [.067]	3.86 [.152]	2	RG 174,188,316	413985-1
	POSITION LETTER	TE DIE SET	HEX SIZE	DANIELS DIE SET	SELECTOR NUMBER	DANIELS POSITIONER	D DIA	C DIA	B DIA	A DIA	NOTES	CABLE	PART NO
	PRO-CRIMPER FOR BRAID CRIMP		M 22520/5-01 FOR BRAID CRIMP		M 22520/2-01 FOR CONTACT CRIMP								

TOOLING INFORMATION

THIS DRAWING IS A CONTROLLED DOCUMENT.

DIMENSIONS: mm [INCHES]	TOLERANCES UNLESS OTHERWISE SPECIFIED: 0 PLC ± - 1 PLC ± - 2 PLC ± 0.3 [.01] 3 PLC ± 0.13 [.005] 4 PLC ± - ANGLES ± -	DWN B. WERNER 16/MAY/94	16/MAY/94	 TE Connectivity PLUG,STR CABLE,HEX CRIMP, OUTER FERRULE,CRIMP OR SOLDER CENTER CONTACT,SMB
		CHK J. McLEOD 16/MAY/94	16/MAY/94	
		APVD J. McLEOD 16/MAY/94	16/MAY/94	
		PRODUCT SPEC		
MATERIAL	FINISH	APPLICATION SPEC		SIZE A2
		WEIGHT		CAGE CODE 00779
		CUSTOMER DRAWING		DRAWING NO C=413985
				RESTRICTED TO
				SCALE 8:1
				SHEET 1 of 1
				REV M2

Mouser Electronics

Authorized Distributor

Click to View Pricing, Inventory, Delivery & Lifecycle Information:

[TE Connectivity:](#)

[413985-6](#)