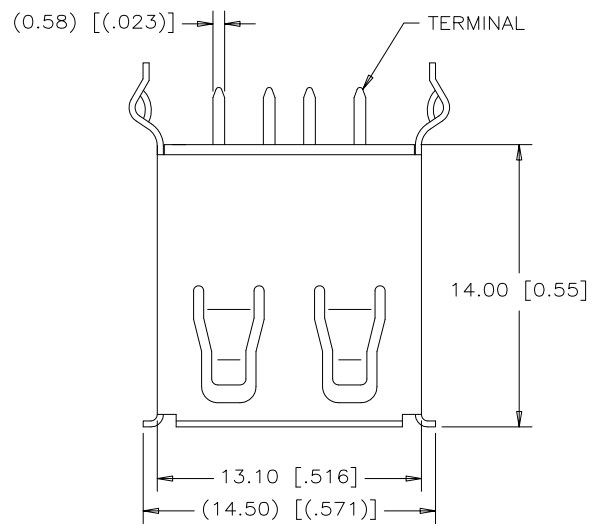


REVISIONS				
SYM	ZONE	ECN, ERN NO.	DATE	APPRD.
D		PRODUCT DWG (EAR 14178)	JAN27/16	K.L.



TOP VIEW

AMPHENOL PART NUMBER: U E 2 7 - A E X 4 - X 0 X

SERIES _____
UE27=RECEPTACLE

TYPE _____
A=SERIES A

STYLE _____
E=STRAIGHT PCB, VERTICAL MOUNT

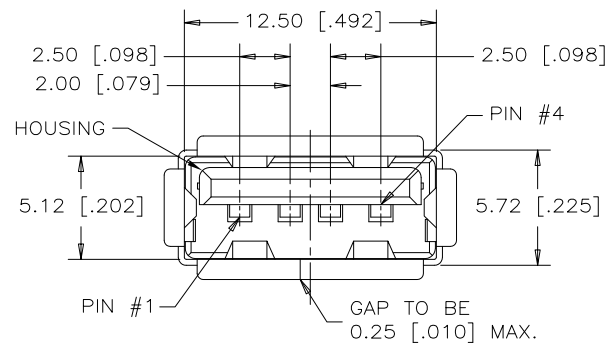
CONTACT PLATING OPTION _____
5=0.76µm [30µ"] GOLD OVER NICKEL ON CONTACT MATING AREA,
2.54µm [100µ"] TIN PLATING ON CONTACT TAILS.
7=GOLD FLASH OVER NICKEL ON CONTACT MATING AREA,
2.54µm [100µ"] TIN PLATING ON CONTACT TAILS.

MODIFIER
0=PBT HOUSING
H=HIGH TEMP HOUSING (MAXIMUM TEMPERATURE RATING: 260°C FOR 10s)

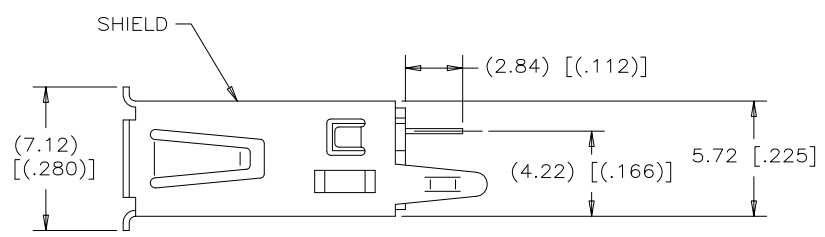
SHIELDING OPTION
0=STANDARD

COLOUR:
1=BLACK
2=BEIGE (AVAILABLE FOR PBT HOUSING ONLY)

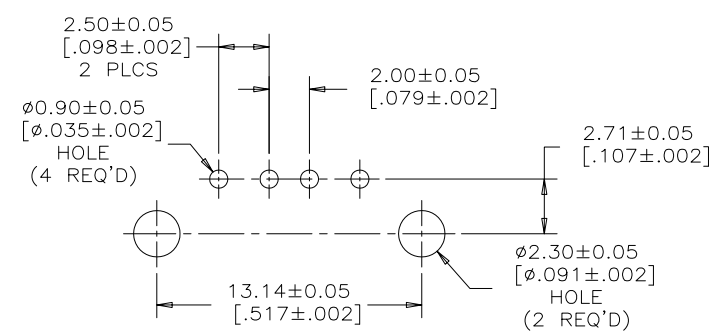
NUMBER OF CONTACTS
4=4 CONTACTS



FRONT VIEW



SIDE VIEW



RECOMMENDED P.C.B. LAYOUT
COMPONENT SIDE OF BOARD

NOTES:

- HOUSING: ENGINEERING THERMOPLASTIC, FLAMMABILITY UL94V-0, SEE ORDERING CODE FOR OPTIONS.
- CONTACTS: COPPER ALLOY, SEE ORDERING CODE FOR PLATING OPTIONS.
- SHIELD: COPPER ALLOY. PLATED NICKEL OVER COPPER
- CURRENT RATING: 1.5A @ 250V AC
- CONTACT RESISTANCE: 30 MILLIOHMS MAX.
- DIELECTRIC WITHSTANDING VOLTAGE: 500V AC
- MATING CYCLES: 1500 CYCLES
- OPERATING TEMPERATURE: -40°C TO +85°C



MATERIAL	DRAWN	Chigow	DATE	DEC05/05
	DESIGNED			
FINISH	CHECKED	PAULW	DATE	DEC05/05
	I. E. APPRD.			
	Q. A. APPRD.			
	DWG. APPRD.			
	ENG. REL. NO.			
	REF.			
	DIMENSIONS ARE IN	CODE ID. NO.		
	mm [INCHES]	03554		

Amphenol Canada Corp.			
TITLE UNIVERSAL SERIAL BUS (SERIES A) RECEPTACLE, STRAIGHT PCB TAIL, VERTICAL MOUNT-RoHS COMPLIANT			
DWG	DRAWING NO.	REV.	
C	P-UE27-AEX4-X0X	D	
SCALE	5/1	WT.	
SURF.		SHEET	1 OF 1

THIS DOCUMENT CONTAINS PROPRIETARY INFORMATION AND SUCH INFORMATION MAY NOT BE DISCLOSED TO OTHERS FOR ANY PURPOSE OR USED FOR MANUFACTURING PURPOSES WITHOUT WRITTEN PERMISSION FROM AMPHENOL CANADA CORP.

Mouser Electronics

Authorized Distributor

Click to View Pricing, Inventory, Delivery & Lifecycle Information:

[Amphenol:](#)

[UE27-AE54-100](#) [UE27-AE54-10H](#) [UE27AE54200](#) [UE27AE74100](#) [UE27-AM54-10H](#)