

THIS DRAWING IS UNPUBLISHED. RELEASED FOR PUBLICATION 20
 © COPYRIGHT 20 BY - ALL RIGHTS RESERVED.

REVISIONS					
P	LTR	DESCRIPTION	DATE	DWN	APVD
B1		REVISED PER ECO-11-004587	11MAR2011	RK	HMR
B2		REVISED PER ECR-11-015304	29JUL2011	RK	DD

NOTES:
 1 MATERIALS AND FINISH
 - HOUSING: LCP
 - CONTACTS: COPPER ALLOY,
 FINISH: TIN
 2 PRODUCT TO COMPLY WITH
 DIRECTIVE 2002/95/EC (ROHS)
 3 PACKAGED IN TAPE AND REEL
 PER EIA-481 SPECIFICATIONS



1954289-1/
 1-1954289-1
 SHOWN



1954289-1/ 1954289-2/
 1-1954289-1 1-1954289-2
 SCALE 3:1 SCALE 3:1
 1954289-3/
 1-1954289-3
 SCALE 3:1

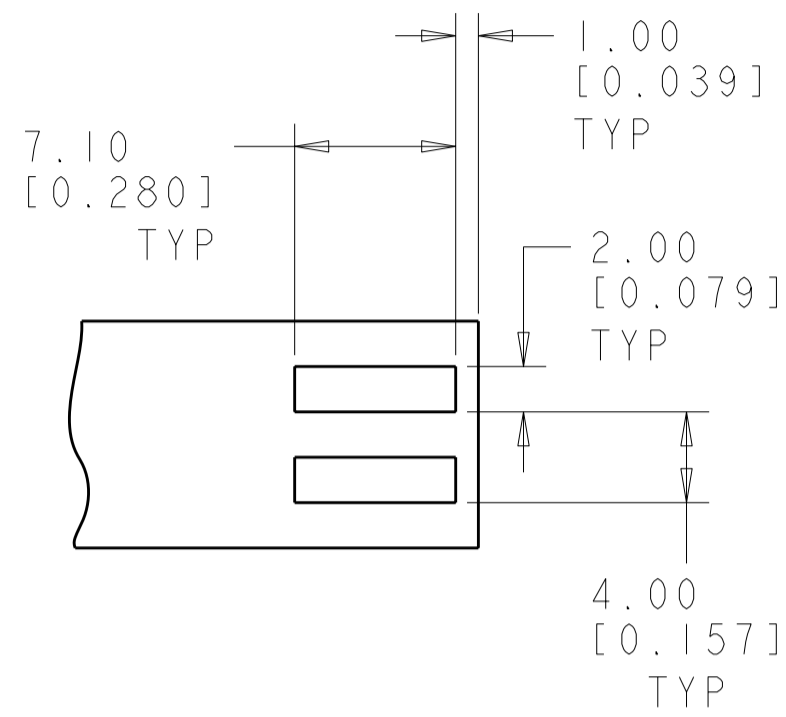
MATED PAIRS SHOWN FOR REFERENCE

6	BLACK	23.90	1-1954289-3
4	BLACK	15.90	1-1954289-2
2	BLACK	7.90	1-1954289-1
6	NATURAL	23.90	1954289-3
4	NATURAL	15.90	1954289-2
2	NATURAL	7.90	1954289-1
POSITION	COLOR	DIM A	PART NO.

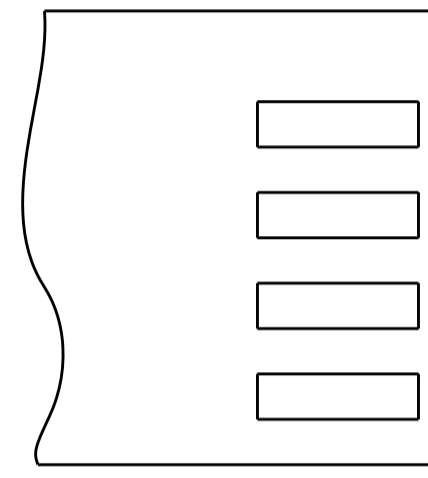
THIS DRAWING IS A CONTROLLED DOCUMENT.		DWN RAGHU 18DEC2006	STE TE Connectivity		
		CHK S_HORST 17APR2007			
DIMENSIONS: mm		TOLERANCES UNLESS OTHERWISE SPECIFIED:		NAME CONNECTOR ASSEMBLY, HERMAPHRODITIC BLADE AND RECEPTACLE	
0 PLC ±-		1 PLC ±-		APVD -	
2 PLC ±0.13		3 PLC ±0.013		PRODUCT SPEC 108-2342	
4 PLC ±-		ANGLES ±°		APPLICATION SPEC 114-13225	
FINISH		MATERIAL		SIZE CAGE CODE DRAWING NO	
CUSTOMER DRAWING		WEIGHT -		A200779C-1954289	
SCALE 3:1		SHEET 1 OF 2		RESTRICTED TO -	
				REV B2	

THIS DRAWING IS UNPUBLISHED. RELEASED FOR PUBLICATION 20
 © COPYRIGHT 20 BY - ALL RIGHTS RESERVED.

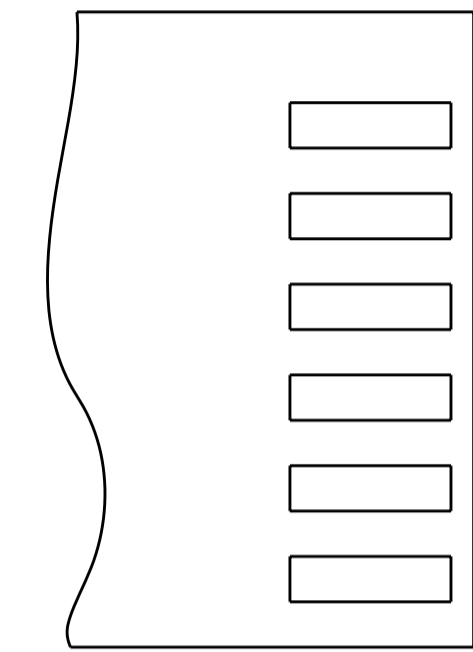
LOC		DIST		REVISIONS			
P	LTR	DESCRIPTION	DATE	DWN	APVD		
-	-	SEE SHEET 1	-	-	-		



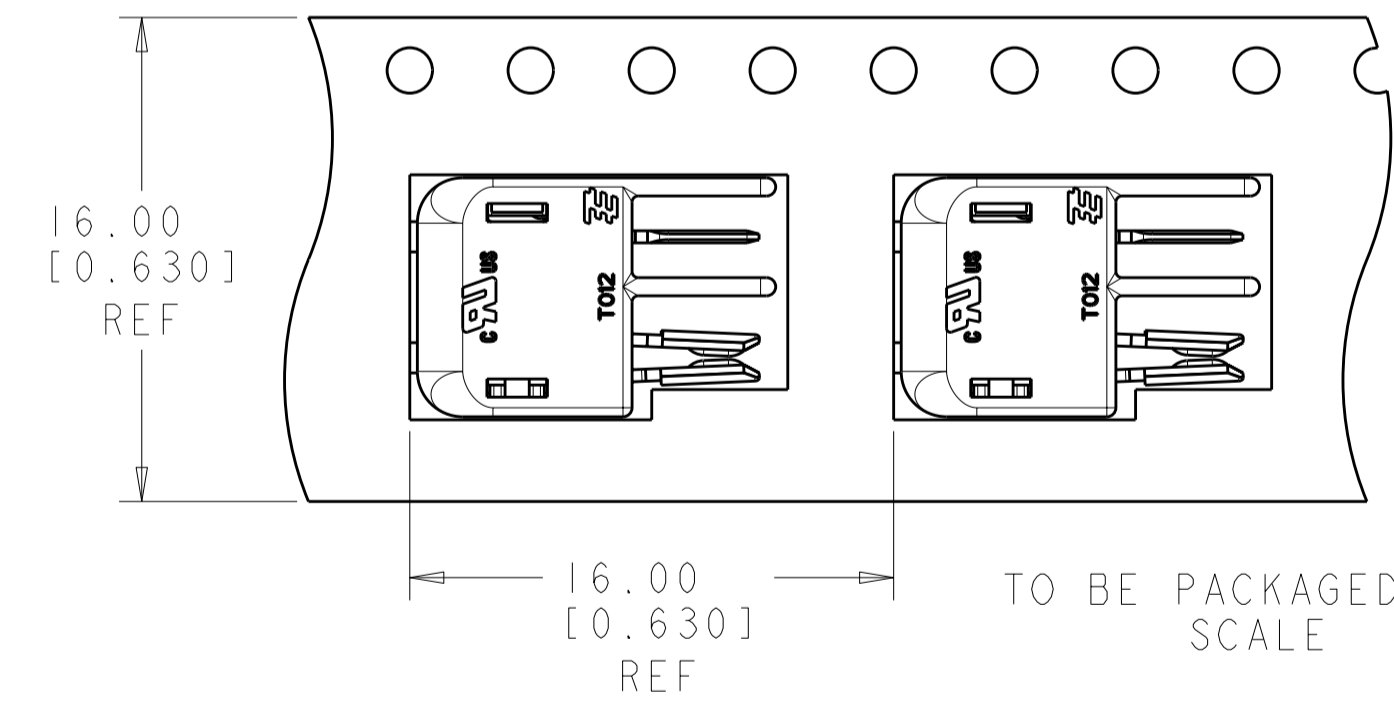
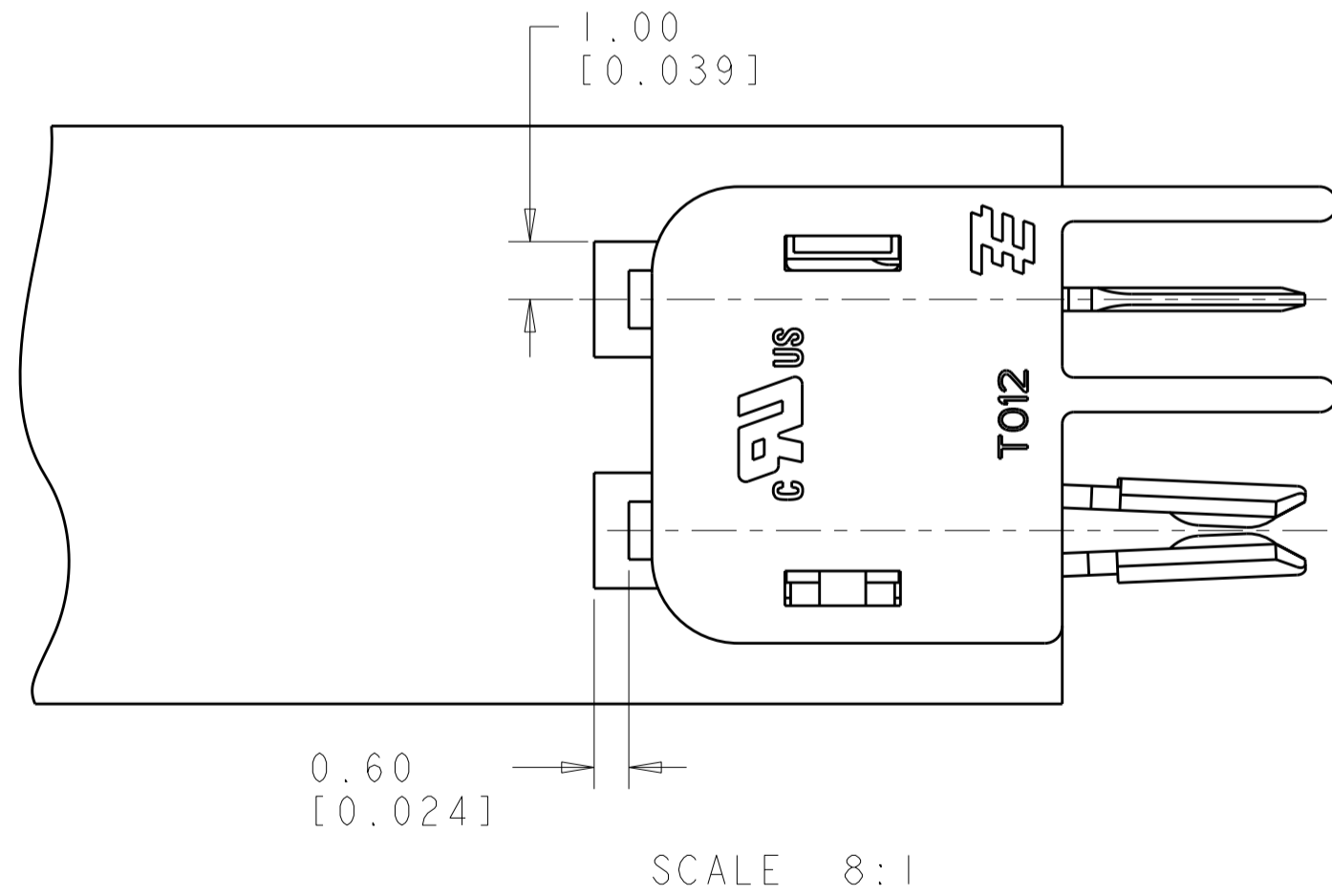
RECOMMENDED PCB LAYOUT
FOR 1954289-1 & 1-1954289-1



RECOMMENDED PCB LAYOUT
FOR 1954289-2 & 1-1954289-2



RECOMMENDED PCB LAYOUT
FOR 1954289-3 & 1-1954289-3



THIS DRAWING IS A CONTROLLED DOCUMENT.		DWN RAGHU 18DEC2006	TE Connectivity	
		CHK S. HORST 17APR2007		
DIMENSIONS:		TOLERANCES UNLESS OTHERWISE SPECIFIED:		NAME CONNECTOR ASSEMBLY, HERMAPHRODITIC BLADE AND RECEPTACLE
mm	0 PLC ± 1 PLC ± 2 PLC ±0.13 3 PLC ±0.013 4 PLC ± ANGLES ±° FINISH	PRODUCT SPEC 108-2342	APVD -	SIZE A200779
MATERIAL	-	APPLICATION SPEC 114-13225	RESTRICTED TO -	DRAWING NO C-1954289
		WEIGHT -	SCALE 3:1	SHEET 2 OF 2
		CUSTOMER DRAWING	REV B2	

Mouser Electronics

Authorized Distributor

Click to View Pricing, Inventory, Delivery & Lifecycle Information:

[TE Connectivity:](#)

[1-1954289-2](#)