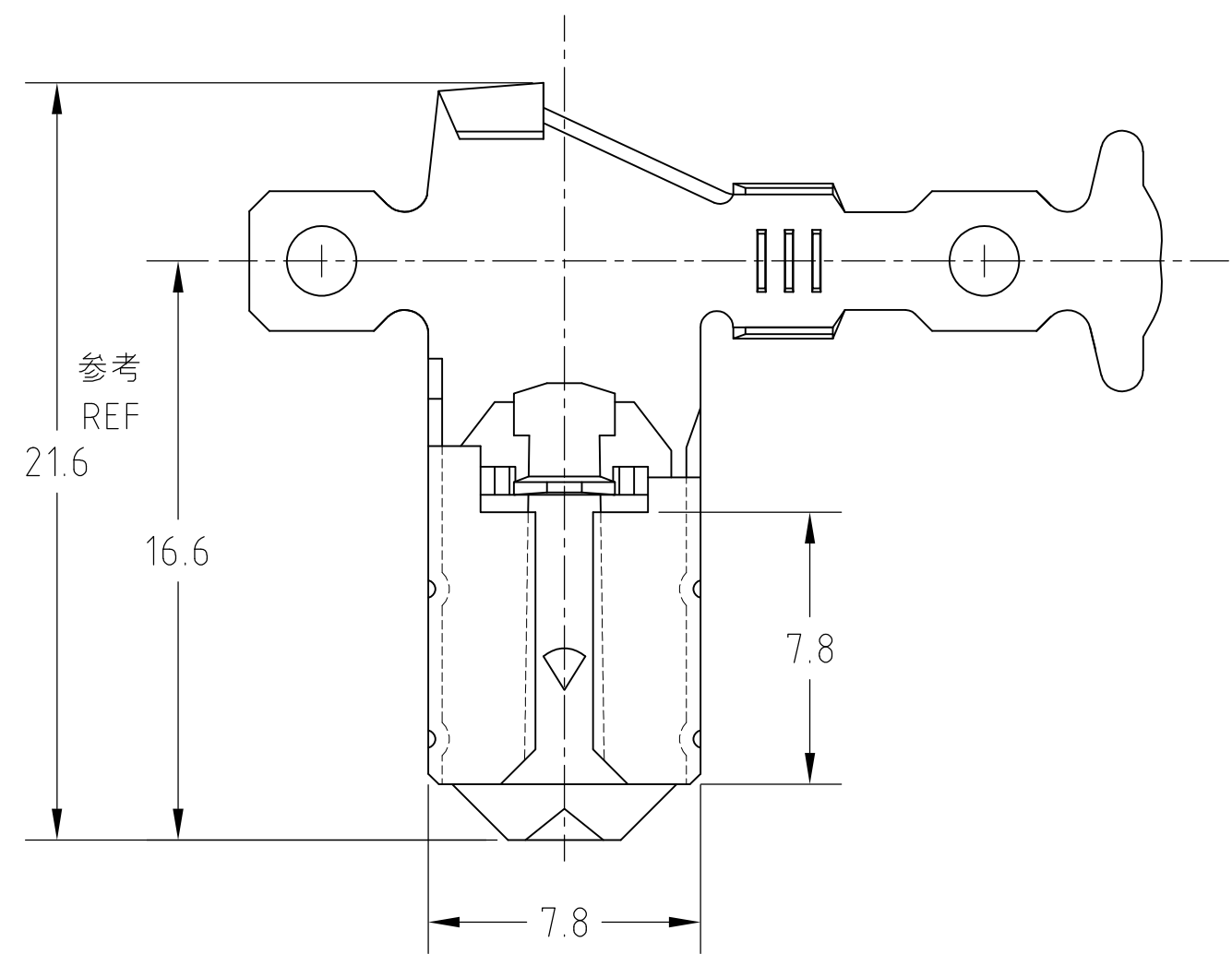


THIS DRAWING IS UNPUBLISHED. RELEASED FOR PUBLICATION  
 © COPYRIGHT BY TYCO ELECTRONICS CORPORATION. ALL RIGHTS RESERVED.

LOC	DIST	REVISIONS 変更			
P	LTR	DESCRIPTION	DATE	DWN	APVD
	A	REDRAWN WITH CHANGE ECR-05-001810	18APR05	J.S	N.Y
	A1	REVISED ECR-05-017845	13DEC05	J.S	N.Y
	A2	REV PER ECO-10-000443	13JAN10	KK	AEG

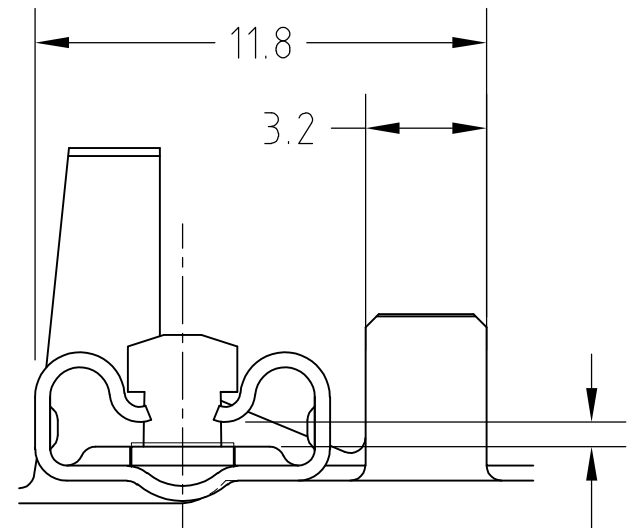


- 注：  
 1. 一般公差 ±0.3, ±3°  
 2. 適用ハウジング型番：172469  
 3. 取扱説明書番号：15-212J

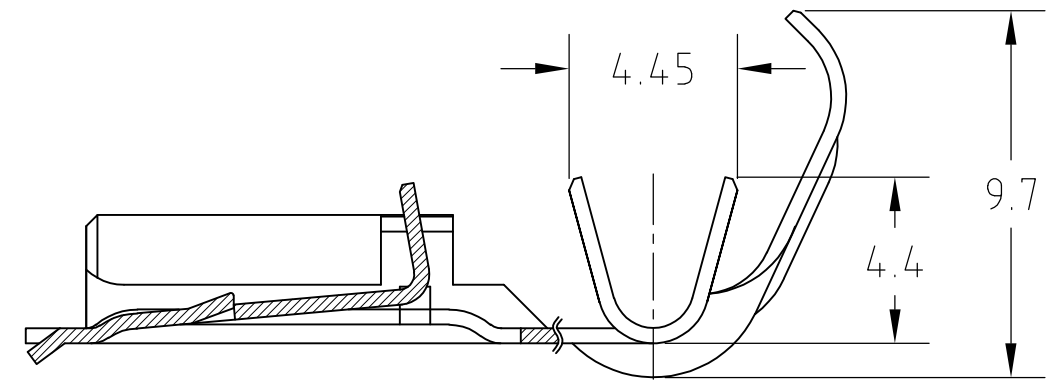
- NOTES:  
 1. GENERAL TOLERANCE ±0.3, ±3°  
 2. APPLICABLE HOUSING P/N: 172469  
 3. APPLICABLE INSTRUCTION SHEET: 15-212J

△ OBSOLETE PARTS: OBSOLETE CIS STREAMLINING PER D.RENAUD/D.SINISI

△ OBSOLETE	符号	材料	型番
	—//—	錫めっき済 銅合金 PRE-TIN COPPER ALLOY	172765-2
		錫めっき済 黄銅 PRE-TIN BRASS	172765-1
		ばら状端子型番 LOOSE PIECE P/N	材料 MATERIAL
			型番 P/N



0.8厚タブとカン合  
 MATE WITH 0.8mm THK TAB



THIS DRAWING IS A CONTROLLED DOCUMENT.		DWN J.SATO 18APR2005	<b>tyco</b> Tyco Electronics AMP K.K.	
		CHK N.YAMASAKI 18APR.2005	<b>Electronics</b> Kawasaki, Japan	
DIMENSIONS: 単位： 耗 mm		APVD N.YAMASAKI 18APR2005	NAME 名称 250 SERIES FLAG POSITIVE LOCK (MARK-II) RECEPTACLE	
TOLERANCES UNLESS OTHERWISE SPECIFIED: 一般公差		PRODUCT SPEC 製品規格 108-5162	DRAWING NO 番号 G-172765	
0 PLC ± 1 PLC ± 2 PLC ± 3 PLC ± 4 PLC ± ANGLES ±		APPLICATION SPEC 取付適用規格 114-5070	SIZE A3	CAGE CODE 00779
MATERIAL 材料 SEE TABLE		FINISH 仕上	RESTRICTED TO —	
CUSTOMER DRAWING			SCALE 尺度 5:1	SHEET 1 OF 1
			REV A2	

# Mouser Electronics

Authorized Distributor

Click to View Pricing, Inventory, Delivery & Lifecycle Information:

[TE Connectivity:](#)

[172765-1](#)