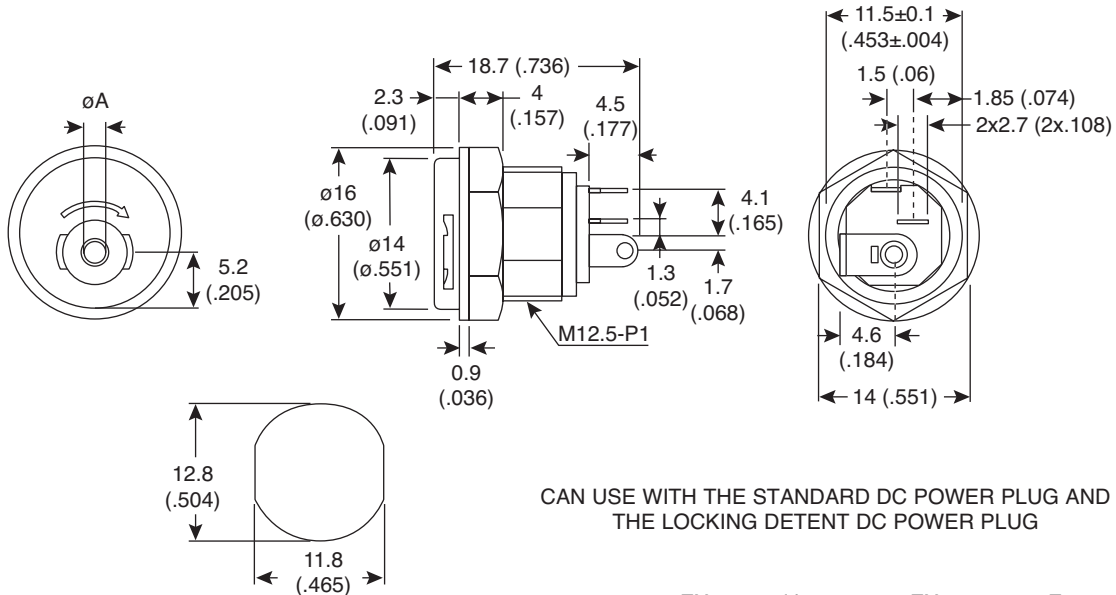


Locking DC Power Jacks

163-1000-EX, 163-1100-EX



Locking DC Power Jacks



Mounting Hole Dimensions

CAN USE WITH THE STANDARD DC POWER PLUG AND THE LOCKING DETENT DC POWER PLUG

163-1000-EX: use with 171-0721-EX, 171-0722-E
163-1100-EX: use with 171-0725-EX, 171-0726-E

MOUSER STOCK NO.	Dimension A
163-1000-EX	ø1.95mm
163-1100-EX	ø2.35mm

DIMENSIONS:mm and (In.)

SPECIFICATIONS	
Rating:	(163-1000-EX) DC12V 0.5A; (163-1100-EX) DC12V 1A
Contact resistance:	30mΩ max
Insulation resistance:	DC500V 100MΩ min.
Withstand voltage:	AC500V for 1 min.
Nut:	PA
Insulator:	PF
Terminal B:	silver plated brass
Terminal A:	silver plated brass
Contact spring:	silver plated copper
Pin:	nickel plated brass
Body:	POM
RoHS Compliant by exemption	

Date Last Revised: 2-15-07

Available from Mouser Electronics
1-800-346-6873
www.mouser.com

KC-300840

163-1000-EX, 163-1100-EX

Mouser Electronics

Authorized Distributor

Click to View Pricing, Inventory, Delivery & Lifecycle Information:

[Kobiconn:](#)

[163-1061-E](#) [163-1060-E](#) [163-1000-EX](#) [163-1100-EX](#)