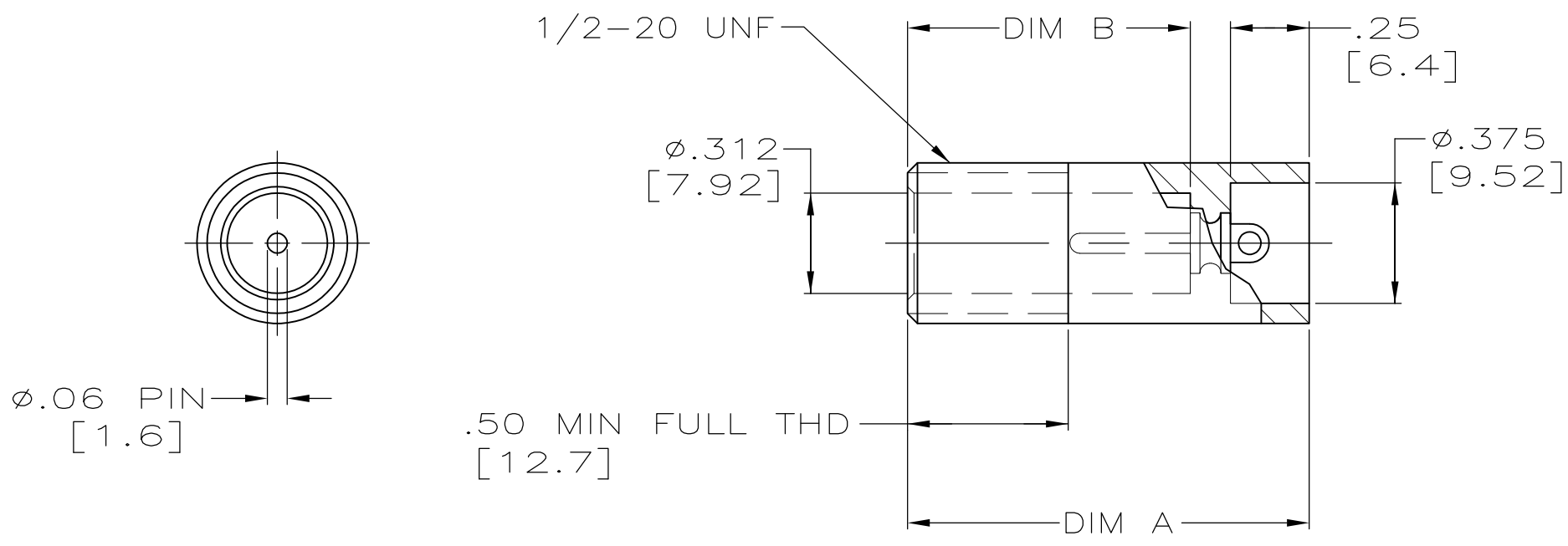


THIS DRAWING IS UNPUBLISHED. RELEASED FOR PUBLICATION - .N/A .
 © COPYRIGHT N/A By - ALL RIGHTS RESERVED.

LOC		DIST		REVISIONS			
P	LTR	DESCRIPTION		DATE	DWN	APVD	
	F	REV PER ECO 12-014181		8-3-12	CT	RG	



	.88 [22.4]	1.25 [31.8]	TIN PLATED	5-849610-3
	.88 [22.4]	1.25 [31.8]	GOLD PLATED	849610-4
	.88 [22.4]	1.25 [31.8]	TIN-LEAD PLATED	849610-3
OBSOLETE	1.12 [28.4]	1.50 [38.1]	GOLD PLATED	849610-2
OBSOLETE	1.12 [28.4]	1.50 [38.1]	TIN-LEAD PLATED	849610-1
	DIM B	DIM A	CONTACT PLATING	PART NO.

THIS DRAWING IS A CONTROLLED DOCUMENT.		DWN C.C.THOMAS 05-MAY-97	STE TE Connectivity													
DIMENSIONS: INCHES		CHK S.GLATFELTER 16-JUL-97														
TOLERANCES UNLESS OTHERWISE SPECIFIED:		APVD S.GLATFELTER 16-JUL-97	NAME RECEPTACLE LGH-1 WITH RECESSED TERMINAL													
<table border="0"> <tr><td>0 PLC</td><td>± -</td></tr> <tr><td>1 PLC</td><td>± -</td></tr> <tr><td>2 PLC</td><td>± .02[0.5]</td></tr> <tr><td>3 PLC</td><td>± .005[0.13]</td></tr> <tr><td>4 PLC</td><td>± -</td></tr> <tr><td>ANGLES</td><td>± -</td></tr> </table>		0 PLC	± -	1 PLC	± -	2 PLC	± .02[0.5]	3 PLC	± .005[0.13]	4 PLC	± -	ANGLES	± -	PRODUCT SPEC -	SIZE A3	
0 PLC	± -															
1 PLC	± -															
2 PLC	± .02[0.5]															
3 PLC	± .005[0.13]															
4 PLC	± -															
ANGLES	± -															
MATERIAL MOLDED GLASS EPOXY COLOR: BLACK		FINISH -	APPLICATION SPEC -	CAGE CODE 00779												
		WEIGHT -	DRAWING NO C-849610	RESTRICTED TO -												
CUSTOMER DRAWING			SCALE 2:1	SHEET 1 OF 1												
			REV F													

Mouser Electronics

Authorized Distributor

Click to View Pricing, Inventory, Delivery & Lifecycle Information:

[TE Connectivity:](#)

[5-849610-3](#)