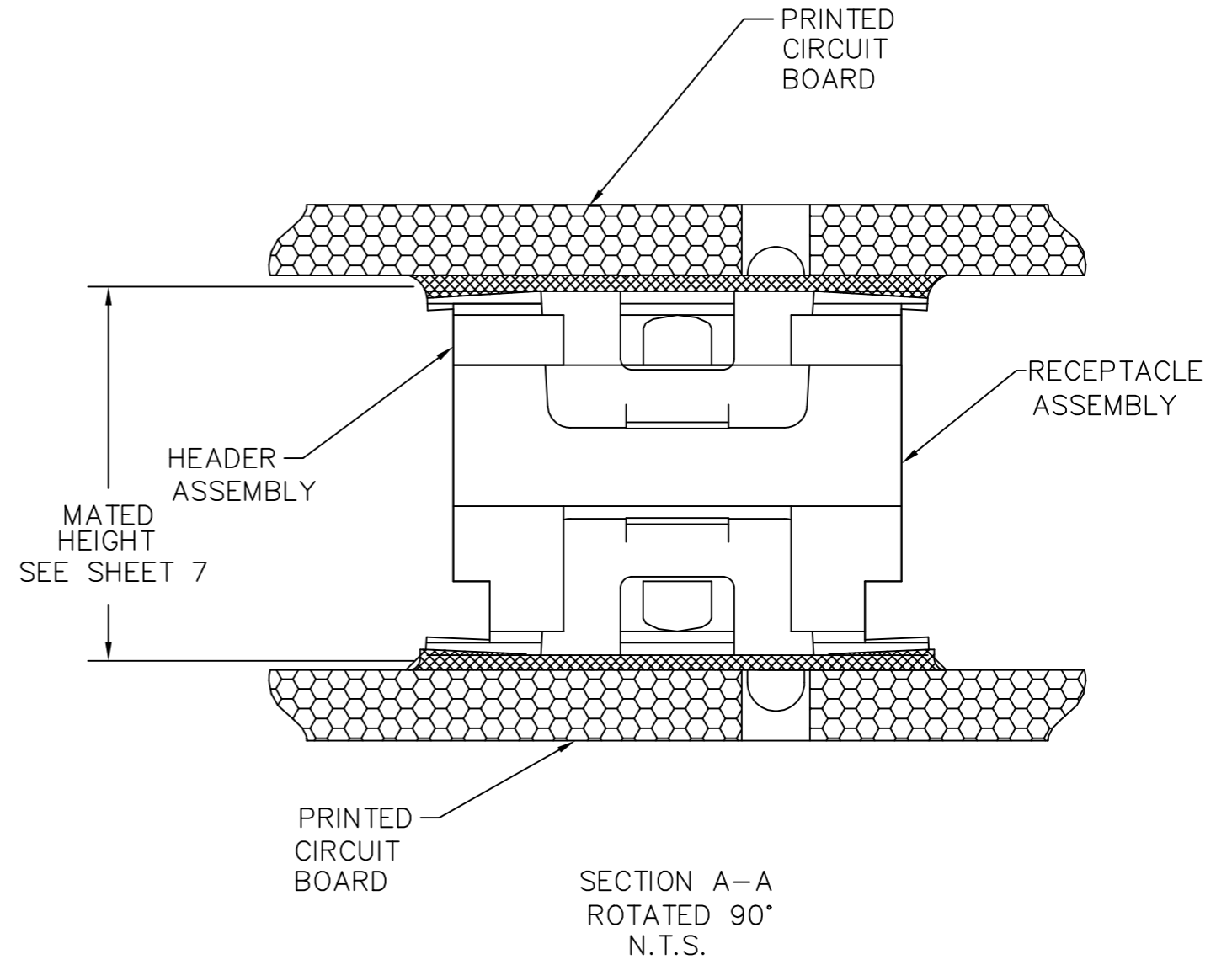
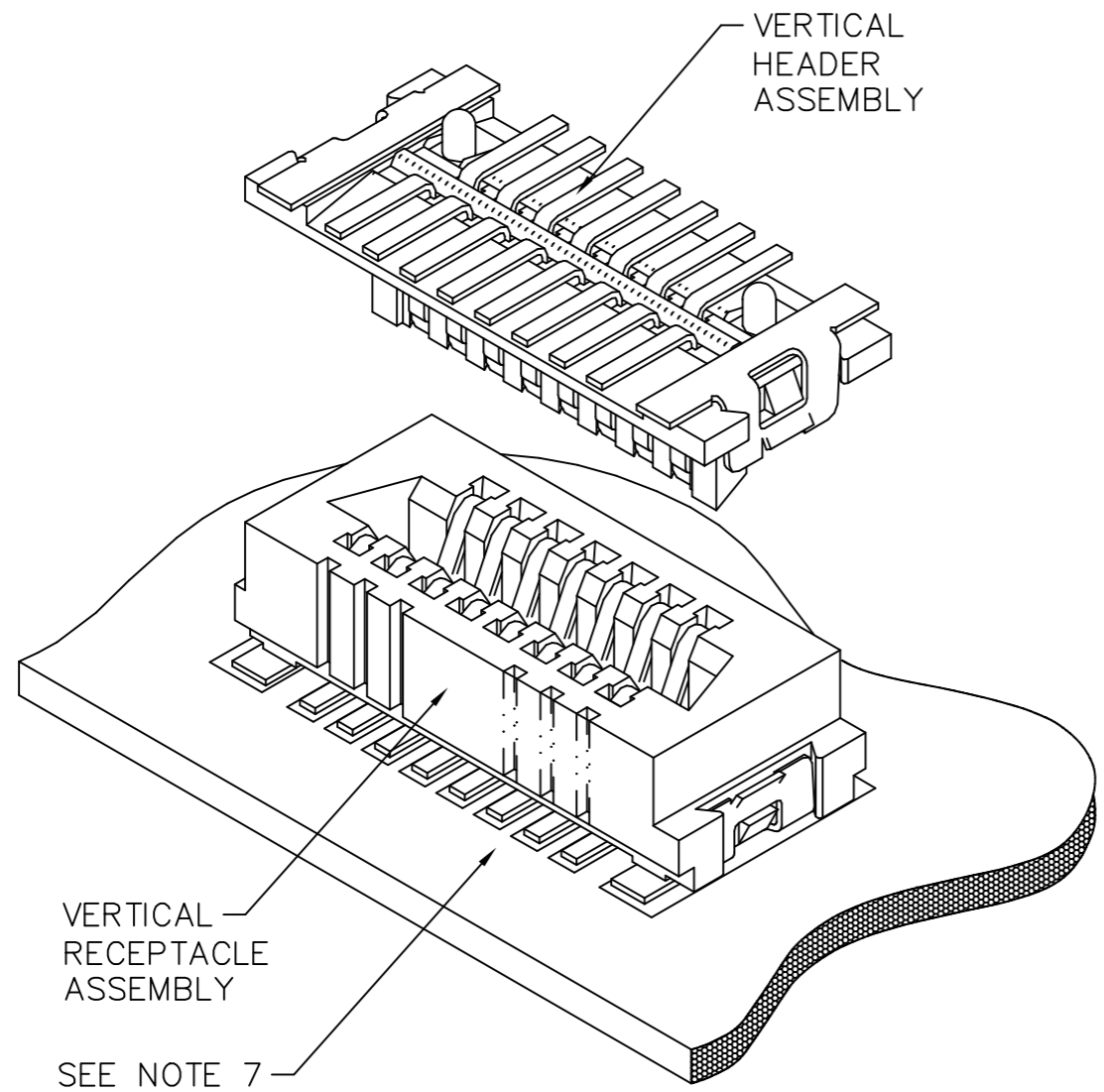


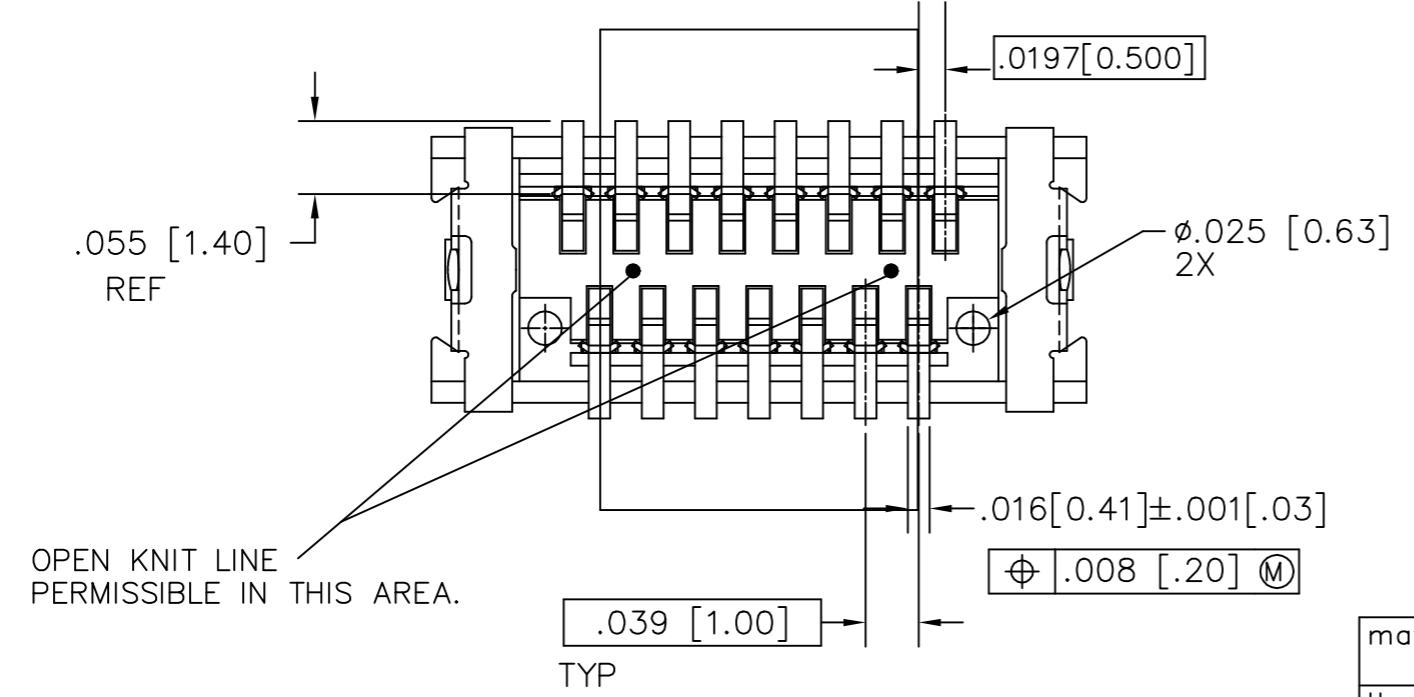
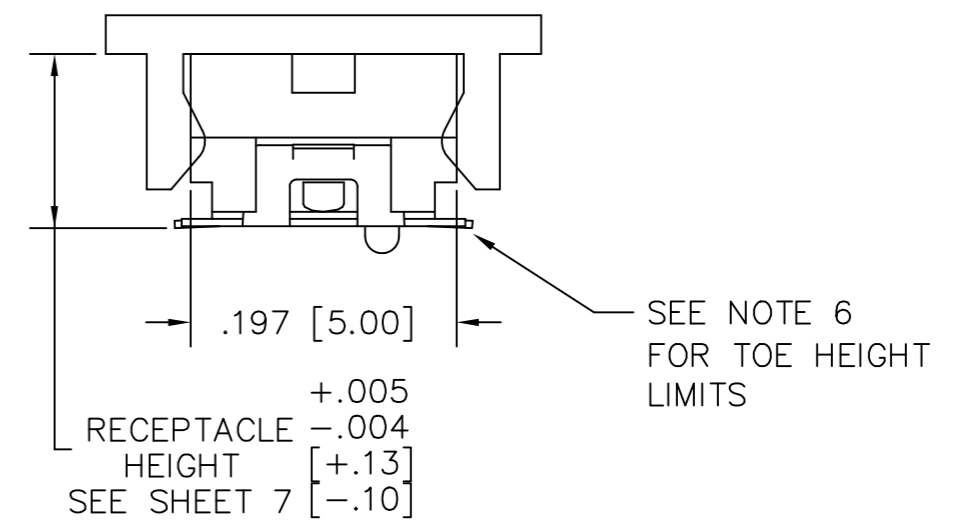
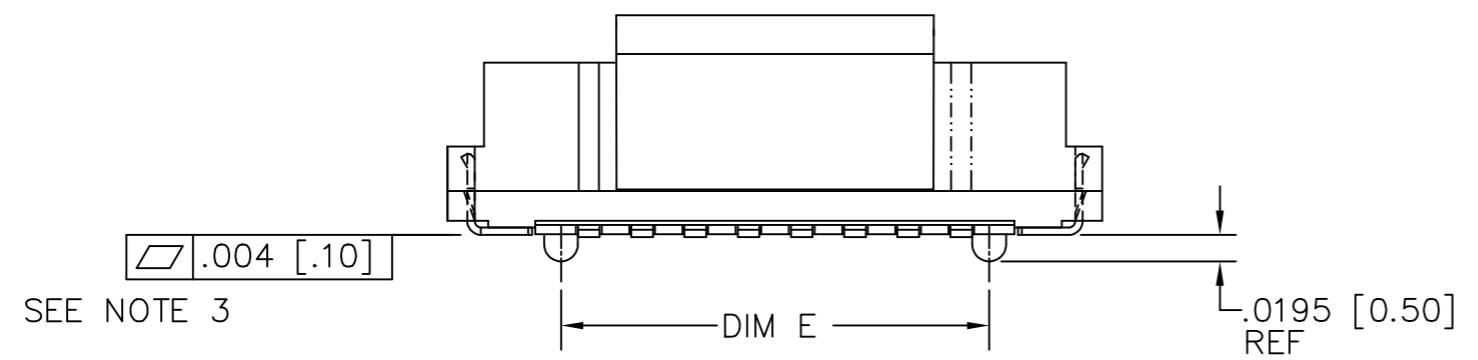
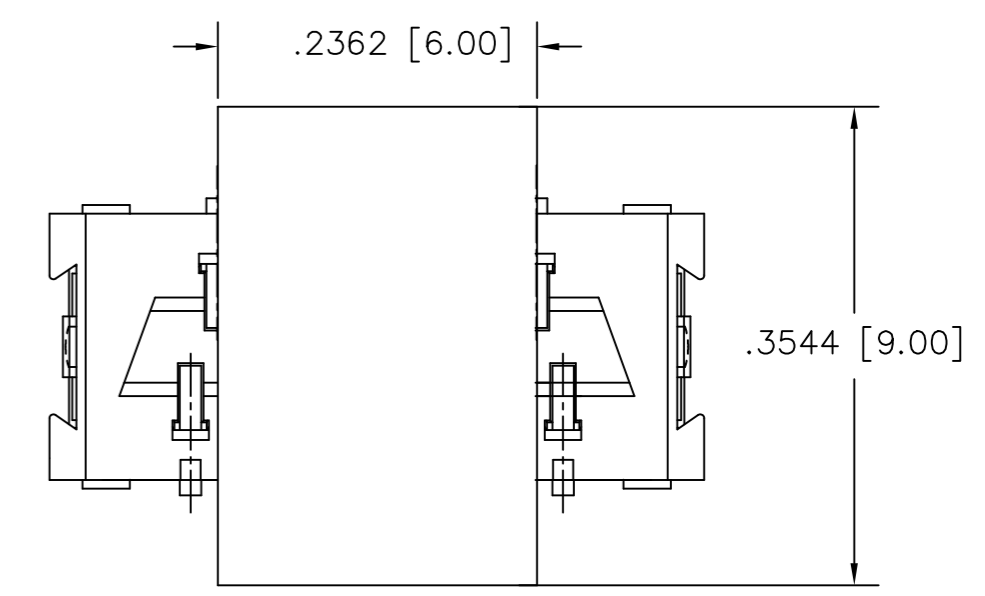
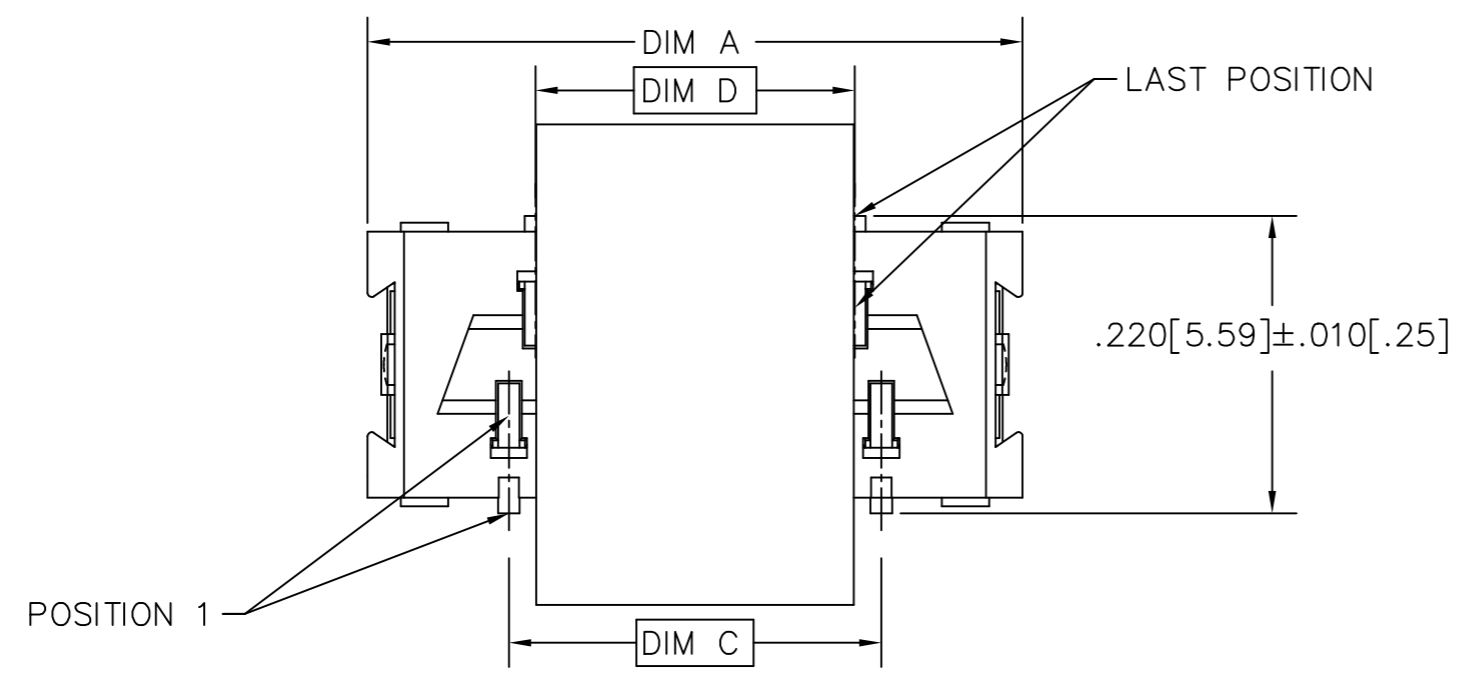
© 2016 AFCI
 Amphenol FCI



mat'l. code		surface		tolerance		projection		product family	
		ISO 1302 ✓		ISO 406 ISO		1101		CONAN®	
ltr		ecn no		dr		date		title	
AP	ELX-N-48730	Alan	2023-07-12	tolerances unless otherwise specified		.0±.30		CONAN® CONNECTOR ASSEMBLY	
AR	ELX-N-51410	Alan	2024-05-06	angles	linear	.00±.20		INCH/MM	
AJ	-	EH	2015-12-12	0°±x'		.000±.10		scale 1:1	
AK	ELX-N-26578	TONY	2017-04-07	dr	Eric Huang	2015-10-11		dwg no	
AL	ELX-N-26810	TONY	2017-04-26	engr	Alan Ni	2024-05-06		sheet 1 of 7	
AM	ELX-N-35652	Bob	2019-12-17	chr	LQ Lei	2024-05-06		size	
AN	ELX-N-37277	Bob	2020-06-04	appd	Tim Yao	2024-05-06		A3	
sheet		revision		AL		AM		AN	
index		sheet		1		7		2	

Amphenol FCI
 © 2016 AFCI

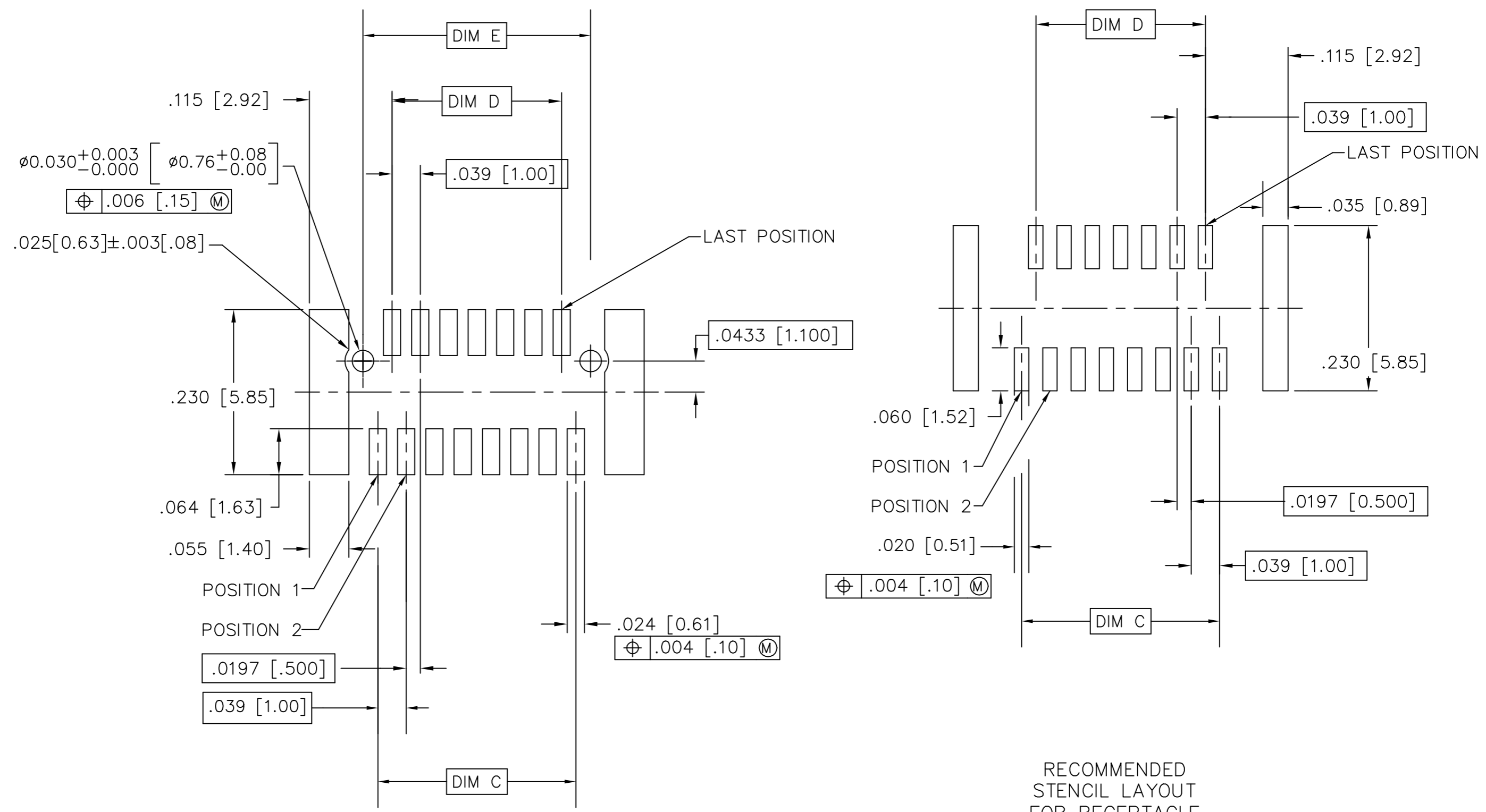
PRODUCT NUMBER
SEE TABLE



mat'l. code		surface	tolerance	projection	product family
ISO 1302		ISO 406	ISO 1101	CONAN®	
tolerances unless otherwise specified		INCH/MM		title	
angles		.0±.30	scale 1:1	CONAN® CONNECTOR ASSEMBLY	
linear		.00±.20			
0°±x'		.000±.10	dwg no 91900 sheet 2 of 7 size A3		
dr Eric Huang		2019-12-17	type Product Customer Drawing		
engr Alan Ni		2024-05-06			
chr LQ Lei		2024-05-06			
appd Tim Yao		2024-05-06			
sheet index	revision sheet				

© 2016 AFCI
 Amphenol FCI

PRODUCT NUMBER
SEE TABLE



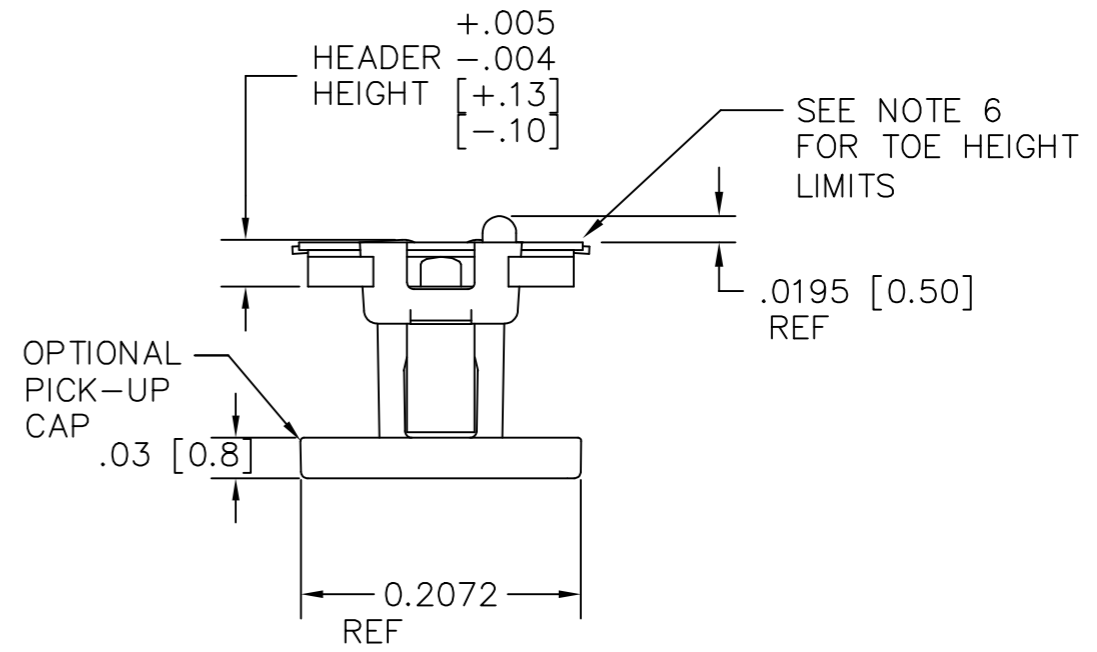
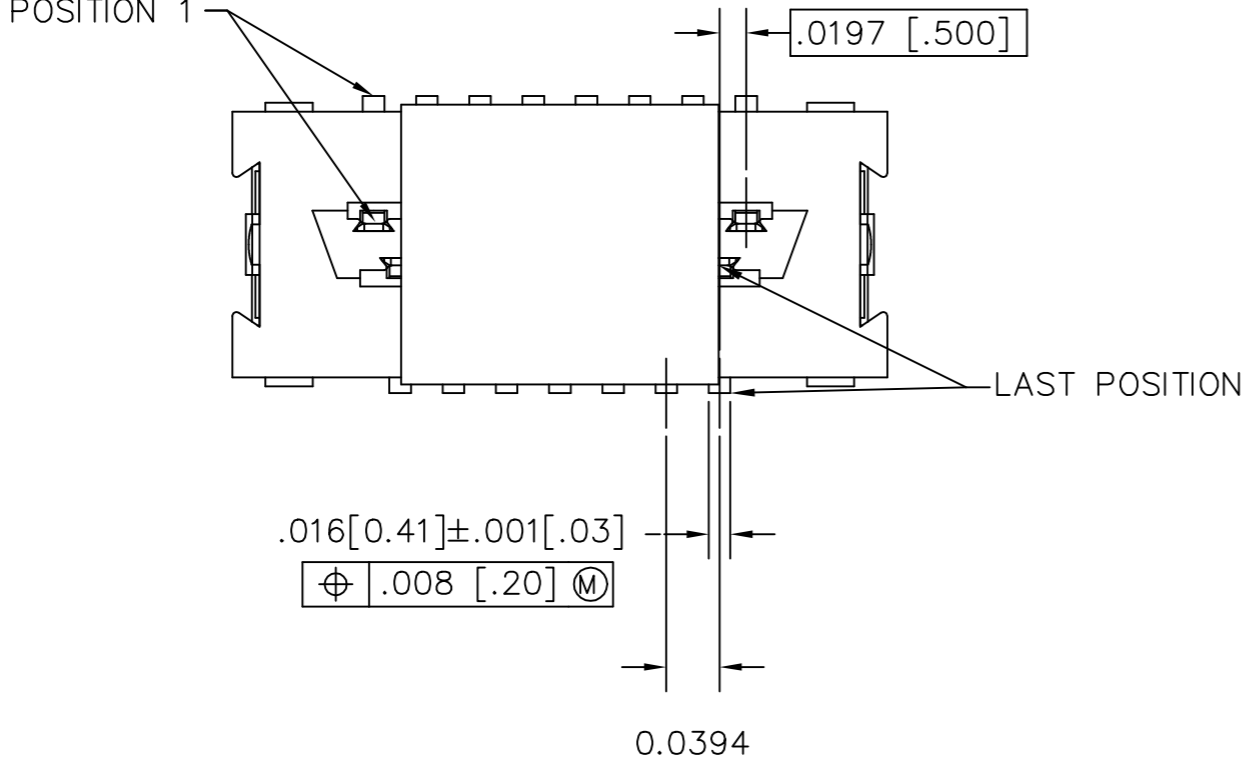
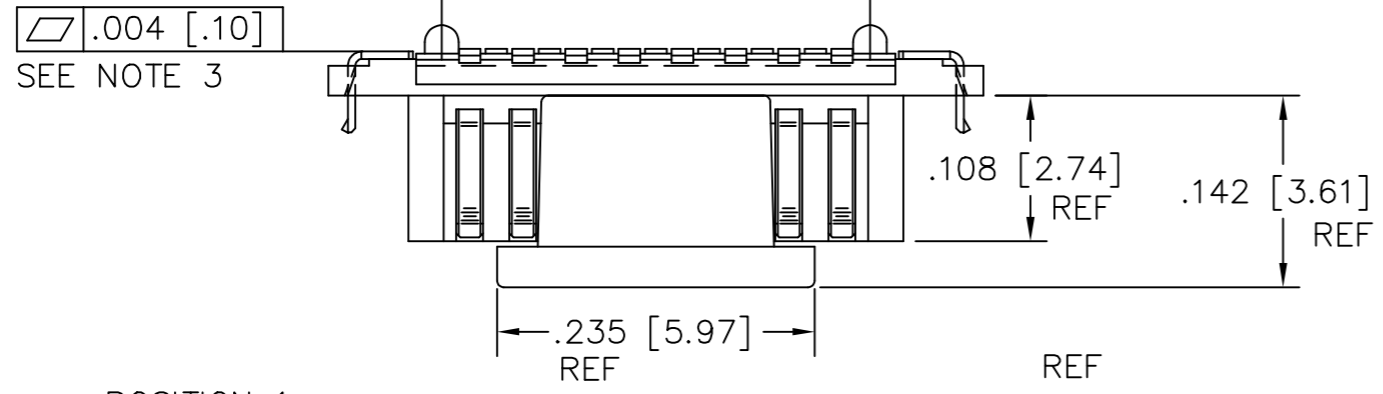
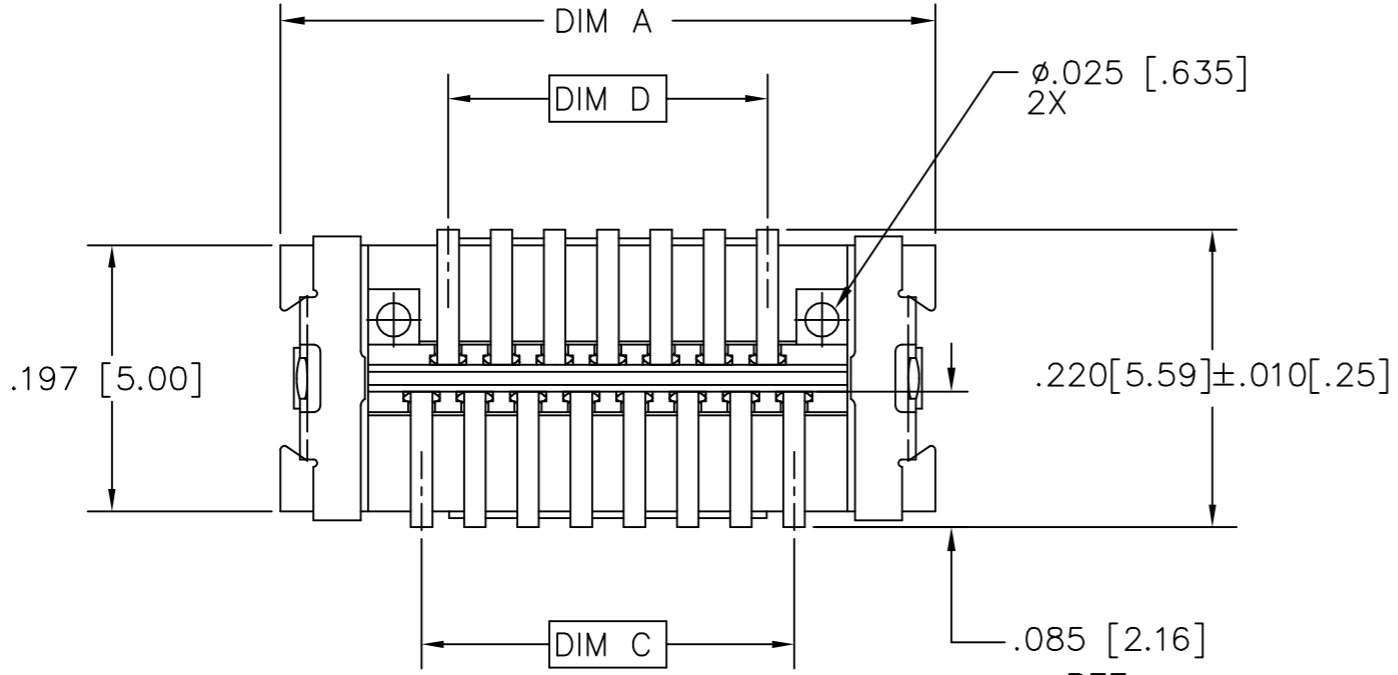
RECOMMENDED PAD LAYOUT

RECOMMENDED STENCIL LAYOUT FOR RECEPTACLE

mat'l. code		surface		tolerance		projection		product family	
		ISO 1302 ✓		ISO 406 ISO		1101		CONAN®	
ltr		ecn no		dr		date		title	
AR								CONAN® CONNECTOR ASSEMBLY	
		angles		linear		.0±.30		INCH/MM	
		0°±x'				.00±.20		scale 1:1	
		dr		Eric Huang		2019-12-17		dwg no	
		engr		Alan Ni		2024-05-06		sheet 3 of 7	
		chr		LQ Lei		2024-05-06		size	
		appd		Tim Yao		2024-05-06		A3	
sheet index		revision sheet						type	
								Product Customer Drawing	



PRODUCT NUMBER
SEE TABLE

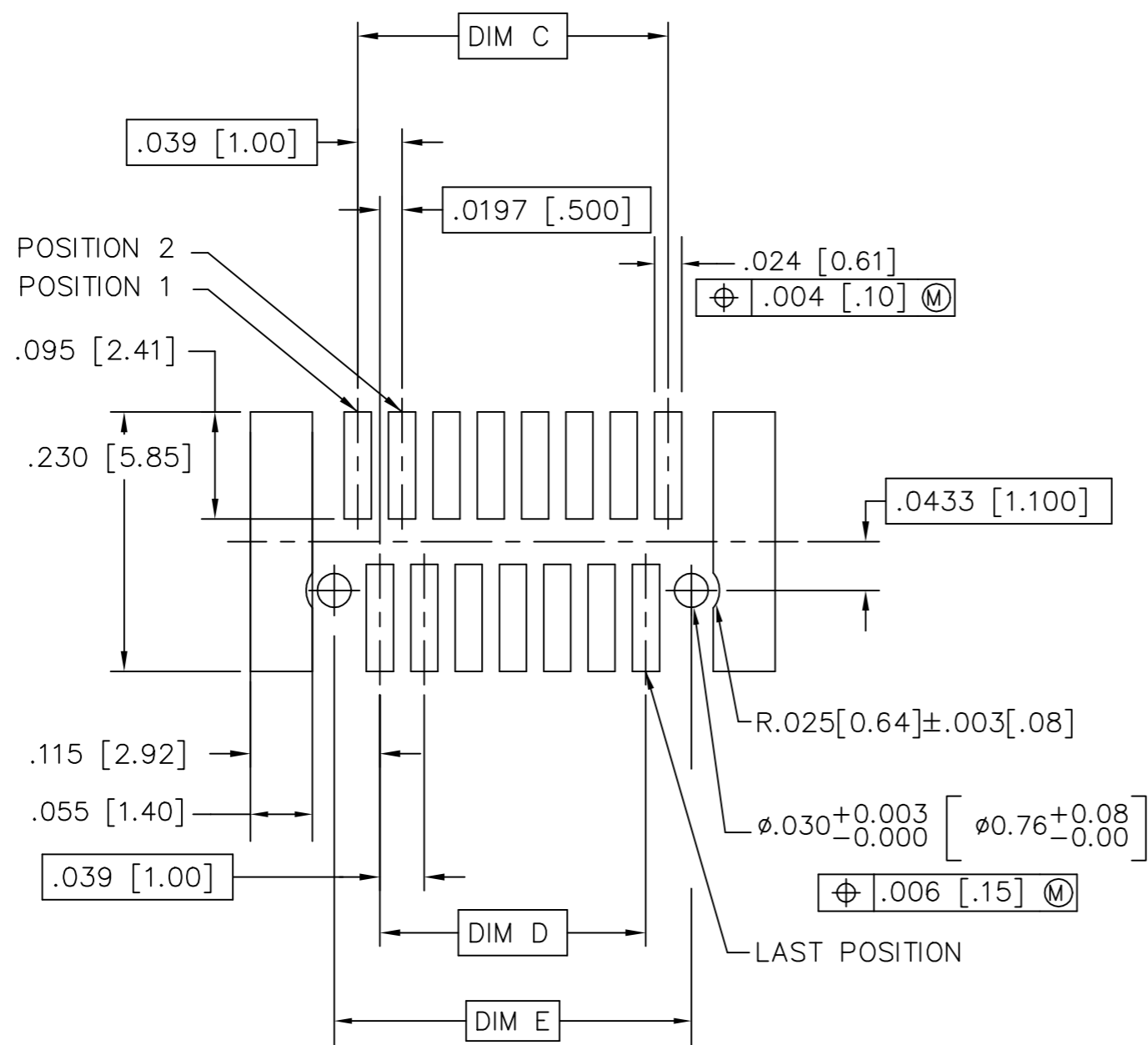


Amphenol
FCi

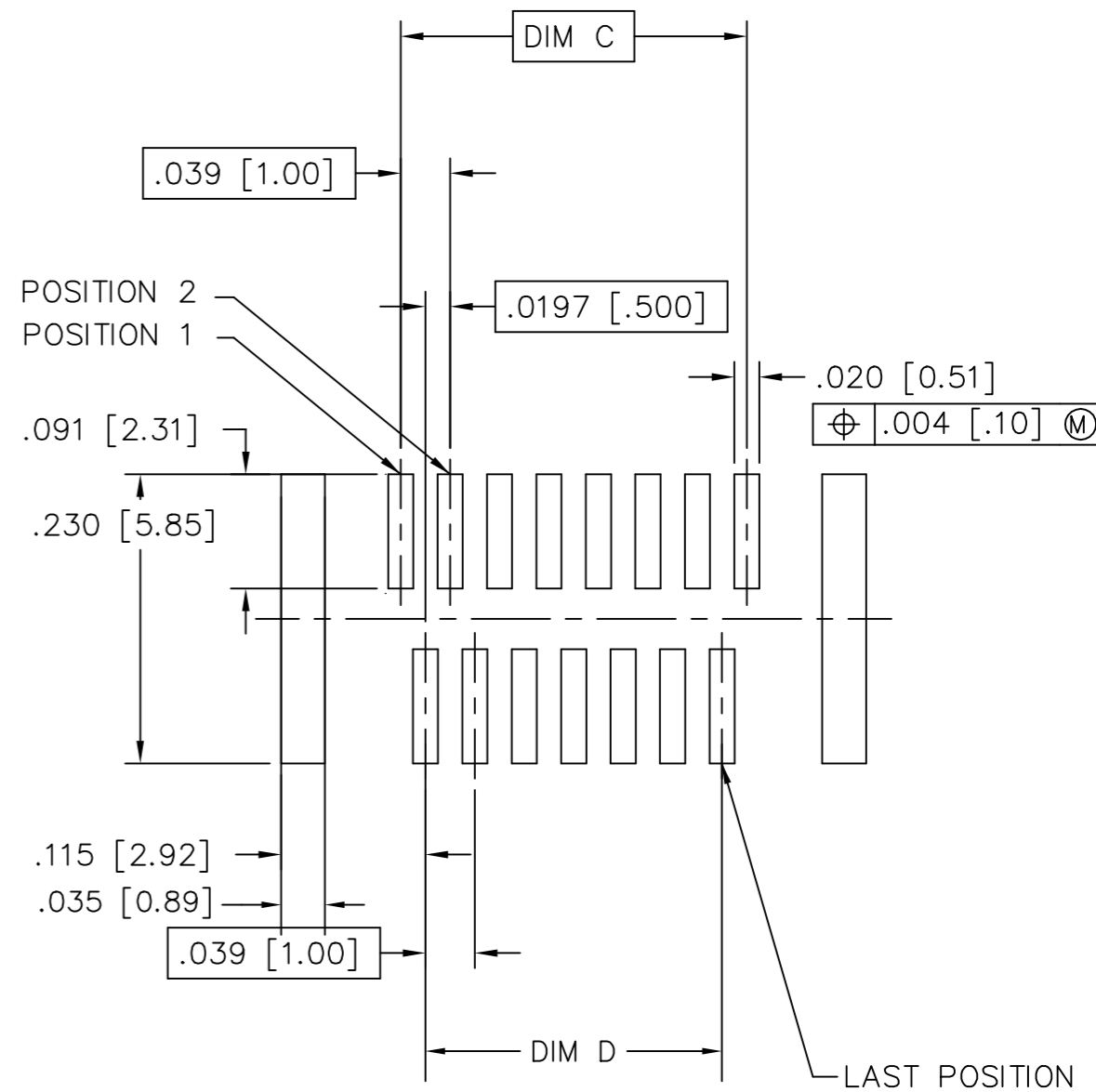
© 2016 AFCI

mat'l. code		surface		tolerance		projection		product family	
		ISO 1302 ✓		ISO 406 ISO		1101		CONAN®	
ltr		ecn no		dr		date		title	
AR								CONAN® CONNECTOR ASSEMBLY	
				angles		linear		tolerances unless otherwise specified	
				0° ± x'				.00 ± .30	
								.00 ± .20	
								.000 ± .10	
				dr		Eric Huang		2019-12-17	
				engr		Alan Ni		2024-05-06	
				chr		LQ Lei		2024-05-06	
				appd		Tim Yao		2024-05-06	
sheet index		revision sheet						dwg no	
								91900	
								sheet 4 of 7 size	
								A3	
								type	
								Product Customer Drawing	

PRODUCT NUMBER
SEE TABLE



RECOMMENDED
PAD LAYOUT



RECOMMENDED
STENCIL LAYOUT
FOR HEADER

mat'l. code		surface		tolerance		projection		product family	
		ISO 1302 ✓		ISO 406 ISO		1101		CONAN®	
ltr		ecn no		dr		date		title	
AR								CONAN® CONNECTOR ASSEMBLY	
		angles		linear		INCH/MM		dwg no	
		0°±x'		.00±.20		scale 1:1		sheet 5 of 7 size	
		dr		Eric Huang		2019-12-17		91900	
		engr		Alan Ni		2024-05-06		A3	
		chr		LQ Lei		2024-05-06		type	
		appd		Tim Yao		2024-05-06		Product Customer Drawing	
sheet index		revision sheet							



© 2016 AFCI

PRODUCT NUMBER	POS	DIM "A"	DIM "C"	DIM "D"	DIM "E"
919TC-WXY09	9	.366 [9.30]	.157 [4.00]	.118 [3.00]	.1990 [5.055]
↑ -WXY09LF					
-WXY11	11	.406 [10.30]	.197 [5.00]	.157 [4.00]	.2380 [6.045]
-WXY11LF					
-WXY15	15	.484 [12.30]	.276 [7.00]	.236 [6.00]	.3170 [8.052]
-WXY15LF					
-WXY21	21	.602 [15.30]	.394 [10.00]	.354 [9.00]	.4350 [11.049]
-WXY21LF					
-WXY25	25	.681 [17.30]	.472 [12.00]	.433 [11.00]	.5140 [13.056]
-WXY25LF					
-WXY31	31	.800 [20.30]	.591 [15.00]	.551 [14.00]	.6320 [16.053]
-WXY31LF					
-WXY41	41	.996 [25.30]	.787 [20.00]	.748 [19.00]	.8290 [21.057]
-WXY41LF					
-WXY51	51	1.193 [30.30]	.984 [25.00]	.945 [24.00]	1.0260 [26.060]
-WXY51LF					
-WXY69	69	1.547 [39.30]	1.339 [34.00]	1.299 [33.00]	1.3800 [35.052]
↓ -WXY69LF					

NOTES:

- MATERIALS:
RECEPTACLE HOUSING - LCP, UL-94V-0. COLOR: NATURAL.
RECEPTACLE TERMINALS - COPPER ALLOY, PLATED WITH 15u"/.38u GXT™ IN CONTACT AREA AND 100u"/2.54u Sn ON SOLDER LEGS WITH AN OVERALL 50u"/1.27u Ni UNDERPLATE.
HEADER HOUSING - LCP, UL-94V-0. COLOR: NATURAL.
HEADER TERMINALS - COPPER ALLOY, PLATED WITH 15u"/.38u GXT™ IN CONTACT AREA AND 100u"/2.54u Sn ON SOLDER LEGS WITH AN OVERALL 50u"/1.27u Ni UNDERPLATE.
RETENTION DEVICE - BRASS, PLATED WITH 100u"/2.54u Sn OVER NICKEL.
- REFERENCE GS-12-006 FOR PRODUCT PERFORMANCE DATA.
- SEE TA-774 FOR FURTHER DESCRIPTION OF HOW THIS DIMENSION IS APPLIED.
- PICK AND PLACE CAP OR TAPE IS ONLY AVAILABLE WITH OPTION 3 PACKAGING. (PSA ADHESIVE SEALED). ALSO, PSA PACKAGING REQUIRES A PICK AND PLACE CAP.
- RECOMMENDED SOLDER PASTE THICKNESS IS .006 TO .008 INCHES THICK.
- THE TOE HEIGHT OF THE SOLDER TAIL SHALL BE MEASURED FROM THE LOWEST POINT OF THE .004 CO-PLANARITY GRAVITY PLANE. THIS MEASUREMENT IS NOT TO EXCEED A WINDOW OF .000 TO .007 INCHES.
- THREE SLOTS MAY BE LOCATED AT EITHER END OF HOUSING.
- 5.50mm MATED HEIGHT IS ONLY AVAILABLE IN 9, 15 AND 31 POS.
- 7.50mm MATED HEIGHT IS ONLY AVAILABLE IN 9 POS.
- APPLIES TO 91921-3XYZZ AND 91931- 3XYZZ OPTIONS ONLY.
- THE HOUSING WILL WITHSTAND EXPOSURE TO 260°C PEAK TEMPERATURE FOR 30 SECONDS IN A CONVECTION INFRA RED OR VAPOR PHASE REFLOW OVEN. SEE APPLICATION/PROCEDURES IF THEY ARE AVAILABLE
- PRODUCT WITH "F" AT THE END MEETS EUROPEAN UNION DIRECTIVES AND OTHER COUNTRY REGULATION AS DESCRIBED IN GS-22-008.

Amphenol FCI

© 2016 AFCI

mat'l. code		surface	tolerance	projection	product family
		ISO 1302 ✓	ISO 406 ISO	1101	CONAN®
ltr	ecn no	dr	date	tolerances unless otherwise specified	title
AR				angles linear	CONAN® CONNECTOR ASSEMBLY
				0°±x'	
				.0±.30	
				.00±.20	
				.000±.10	
		dr	Eric Huang	2015-10-11	dwg no
		engr	Alan Ni	2024-05-06	sheet 6 of 7
		chr	LQ Lei	2024-05-06	size
		appd	Tim Yao	2024-05-06	A3
sheet index		revision sheet			type Product Customer Drawing

Amphenol FCI
 © 2016 AFCI

CONAN® ASSEMBLY PART NUMBER

919 T C - W X Y ZZ L F

LEAD FREE OPTION
SEE NOTE 12

TYPE	T
HEADER WITH NO PEGS	0
HEADER WITH PEGS	1
RECEPTACLE WITH NO PEGS	2
RECEPTACLE WITH PEGS	3

L	MANDATORY CODE
L	STANDARD, NOT MANDATORY P/N
A	ONLY FOR DEDICATED CUSTOMER

PICK AND PLACE CAP OR TAPE (NOTE 4)	C
WITHOUT CAP OR TAPE	0
WITH CAP	1
WITH TAPE (RECEPTACLE ONLY)	2

PACKAGING	W
TUBE	2
PRESSURE SEALED TAPE & REEL	3

NOTE 4

Y	HEADER HEIGHT	RECEPTACLE HEIGHT	MATED HEIGHT +.010 -.008 [+.25] [-.20]
1	.034 [.86]	.129 [3.28]	.163 [4.15]
2	.048 [1.23]	SEE Y=1 FOR ALL RECEPTACLES	.177 [4.50]
3	.068 [1.73]		.197 [5.00]
4	.107 [2.72]		.236 [6.00]
5	.1465 [3.721]		.276 [7.00]
* 6	.088 [2.23]		.216 [5.50]
* * 7	.1665 [4.229]		.296 [7.52]

* NOTE 8
* * NOTE 9

ZZ	NUMBER OF POSITIONS
09	9
11	11
15	15
21	21
25	25
31	31
41	41
51	51
69	69

X	PLATING
1	15u"/.38u GXT™
2	30u"/.76u GXT™
3	Au 30u"/.76u

EXAMPLE: 91921-31125LF
IS A CONAN® RECEPTACLE ASSEMBLY, HAVING NO PEGS AND WITH A PICK AND PLACE CAP. IT ALSO HAS GXT™ PLATING, IS .13 [3.2] HIGH AND 25 POSITIONS AND IS PACKAGED IN PRESSURE SEALED TAPE, REEL AND LEAD FREE.

mat'l. code				surface	tolerance	projection	product family
				ISO 1302 ✓	ISO 406 ISO	1101	CONAN®
ltr	ecn no	dr	date	tolerances unless otherwise specified		INCH/MM	title
AR				angles	.0±.30	←	CONAN® CONNECTOR ASSEMBLY
				linear	.00±.20	→	
				0±x'	.000±.10	scale 1:1	
		dr	Eric Huang	2015-10-11		Amphenol FCI	dwg no
		engr	Alan Ni	2024-05-06			sheet 7 of 7
		chr	LQ Lei	2024-05-06			size
		appd	Tim Yao	2024-05-06			A3
sheet index		revision sheet				type Product Customer Drawing	