

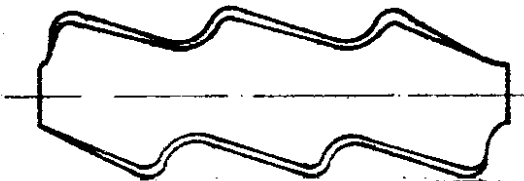
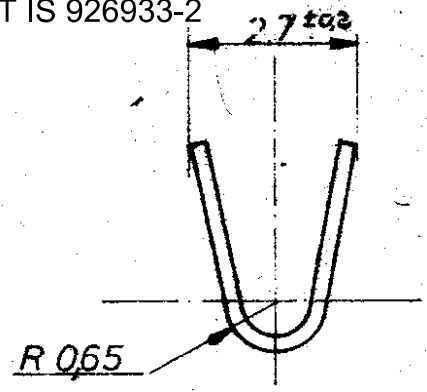
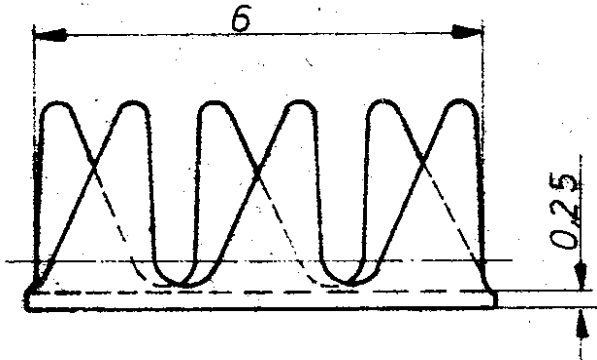
NUMBER 926 933



OBSOLETE PARTS: OBSOLETE CIS STREAMLINING PER D.RENAUD/D.SINJSI



OBSOLETE PARTS: THE REPLACEMENT PART IS 926933-2



Freimaßtoleranz ±0,4

IN ANGESCHLAGENEM ZUSTAND  
PASSEND IN BOHRUNG  $\phi 1,6$  mm bei  $0,75$  mm<sup>2</sup>



OBSOLETE

- 9	60 000	0,75 - 1 mm <sup>2</sup>	CuNi42Zn24 Temp. 1/2 Hard	blank
<del>926 933 - 8</del>	<del>30 000</del>	<del>0,75 - 1 mm<sup>2</sup></del>	<del>CuSn4 F56 (Temp. 1/2)</del>	<del>blank</del>
<del>926 933 - 7</del>	<del>30 000</del>	<del>0,75 - 1 mm<sup>2</sup></del>	<del>CuSn4 F56</del>	<del>vorverzinkt</del>
926 933 - 6	60 000	0,75 - 1 mm <sup>2</sup>	CuSn4 F56	blank
<del>926 933 - 5</del>	<del>60 000</del>	<del>0,75 - 1 mm<sup>2</sup></del>	<del>CuSn4 F56</del>	<del>vorverzinkt</del>
926 933 - 4	30 000	0,75 - 1 mm <sup>2</sup>	Messing	blank
926 933 - 3	30 000	0,75 - 1 mm <sup>2</sup>	Messing	vorverzinkt
926 933 - 2	60 000	0,75 - 1 mm <sup>2</sup>	Messing	blank
926 933 - 1	60 000	0,75 - 1 mm <sup>2</sup>	Messing	vorverzinkt
BAND STANDARD NUMBER	Teile pro Nickerinheit	DRAHT GRÖSSEN-BEREICH	MATERIAL	OBERFLÄCHE

MATERIAL	HEAT TREAT	COATING OR PLATING
----------	------------	--------------------

CUSTOMER COPY REFERENCE ONLY

FIRST USED	WIRE RANGE	CLASS	TYPE
P.P.P.	AREA	SCALE 10:1	
DR 9.6.81 <i>Grella</i>			



B4	REVISED PER ECR-17-013051	ST/TD	13SEP 2017	CHK	LOC A	REV B4
B3	REVISED PER ECR-14-015346	NK/DL	18MAY18	APP	NAME	
LTR	REVISION RECORD	ECN	DR/CHK	DATE	REL	ADER-END-KRALLE

ZEICHNUNG GÜLTIG AB KW 41/83

PRINT PART

# Mouser Electronics

Authorized Distributor

Click to View Pricing, Inventory, Delivery & Lifecycle Information:

[TE Connectivity:](#)

[926933-2 \(Cut Strip\)](#) [926933-2 \(Mouser Reel\)](#) [926933-2 \(Loose Piece\)](#)