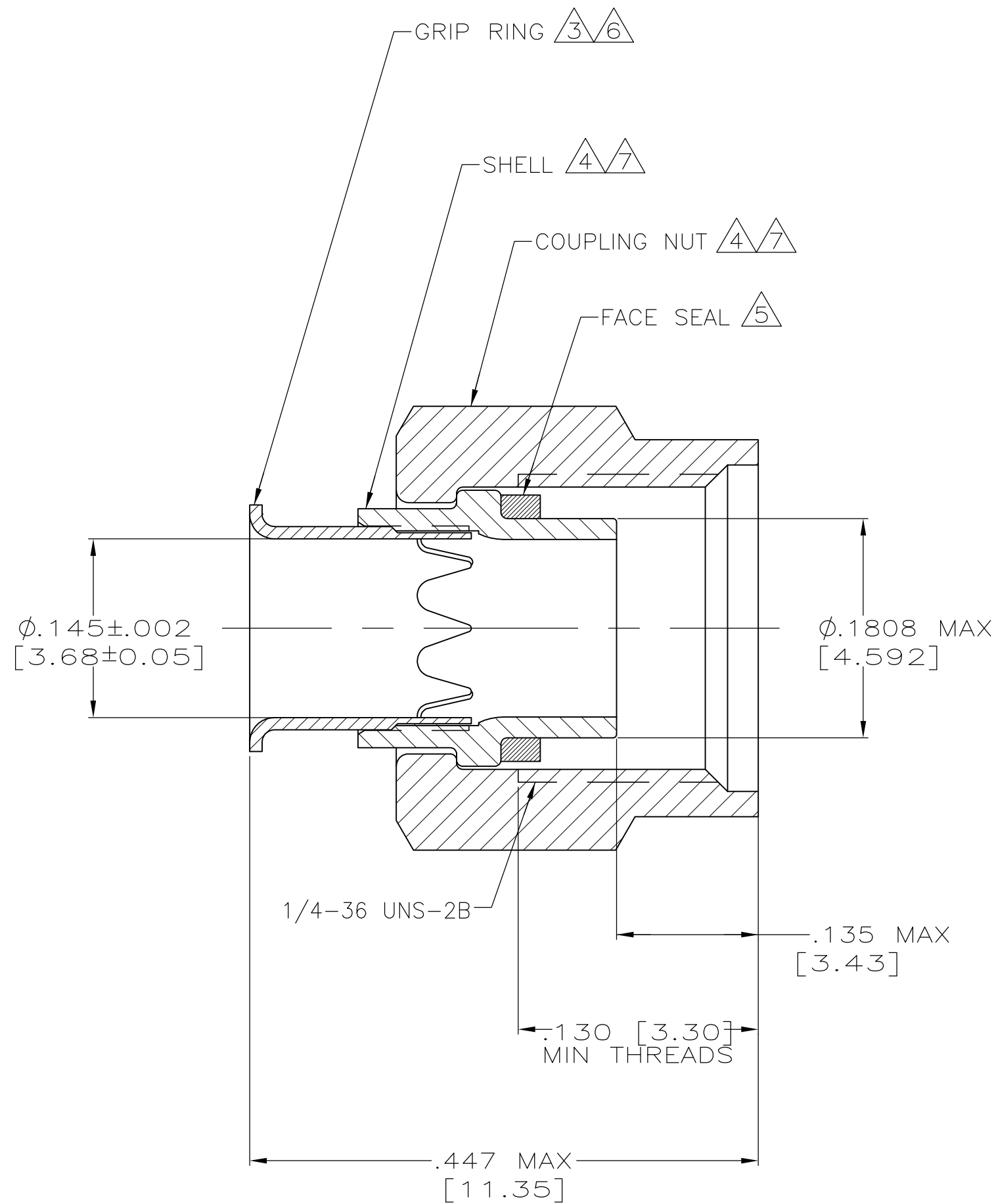
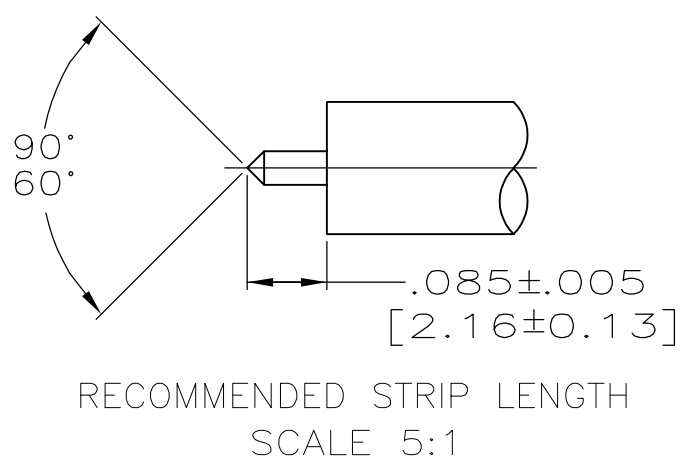
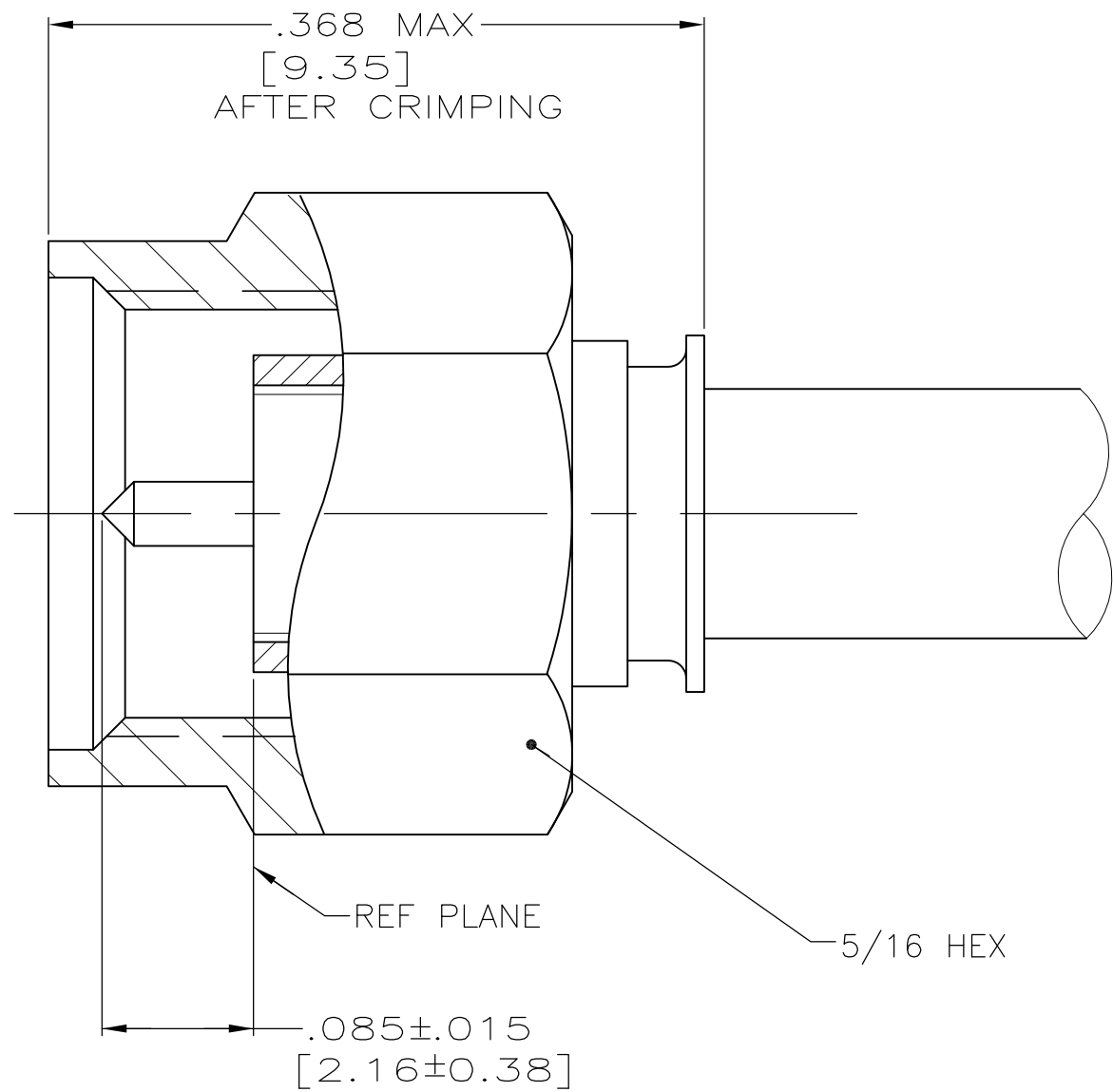


THIS DRAWING IS UNPUBLISHED. RELEASED FOR PUBLICATION  
 © COPYRIGHT - By - ALL RIGHTS RESERVED.

LOC	DIST	REVISIONS					
		P	LTR	DESCRIPTION	DATE	DWN	APVD
AJ	16		G1	REVISED PER ECO-11-005030	11MAR11	RK	HMR



- FOR USE WITH RG-402/U, .141 [3.58] SEMI-RIGID CABLE.
- SEE I.S. 6788.
- BRASS PER ASTM-B-36
- STAINLESS STEEL PER ASTM-A-582
- SILICONE RUBBER PER ZZ-R-765
- NICKEL PLATE PER QQ-N-290.
- PASSIVATION PER ASTM A967
- .500 [12.70] MIN LENGTH OF STRAIGHT CABLE REQUIRED TO APPLY THE CONNECTOR.

THIS DRAWING IS A CONTROLLED DOCUMENT.		DWN	C.C.THOMAS	8-2-93		TE Connectivity								
DIMENSIONS: INCHES[mm]		CHK	J.CABARLO	8-17-93		NAME								
TOLERANCES UNLESS OTHERWISE SPECIFIED:		APVD	J.CABARLO	8-17-93		PLUG,SERIES SMA,RF								
0 PLC ± - 1 PLC ± - 2 PLC ± - 3 PLC ± - 4 PLC ± - ANGLES ± -		PRODUCT SPEC	108-12055			DRAWING NO								
MATERIAL SEE CALLOUTS		FINISH	SEE CALLOUTS		WEIGHT	.063 OZ	SIZE	A2	CAGE CODE	00779	DRAWING NO	C=227531-5	RESTRICTED TO	-
		CUSTOMER DRAWING		SCALE	10:1	SHEET	1 of 1	REV	G1					

# Mouser Electronics

Authorized Distributor

Click to View Pricing, Inventory, Delivery & Lifecycle Information:

[TE Connectivity:](#)

[227531-5](#)