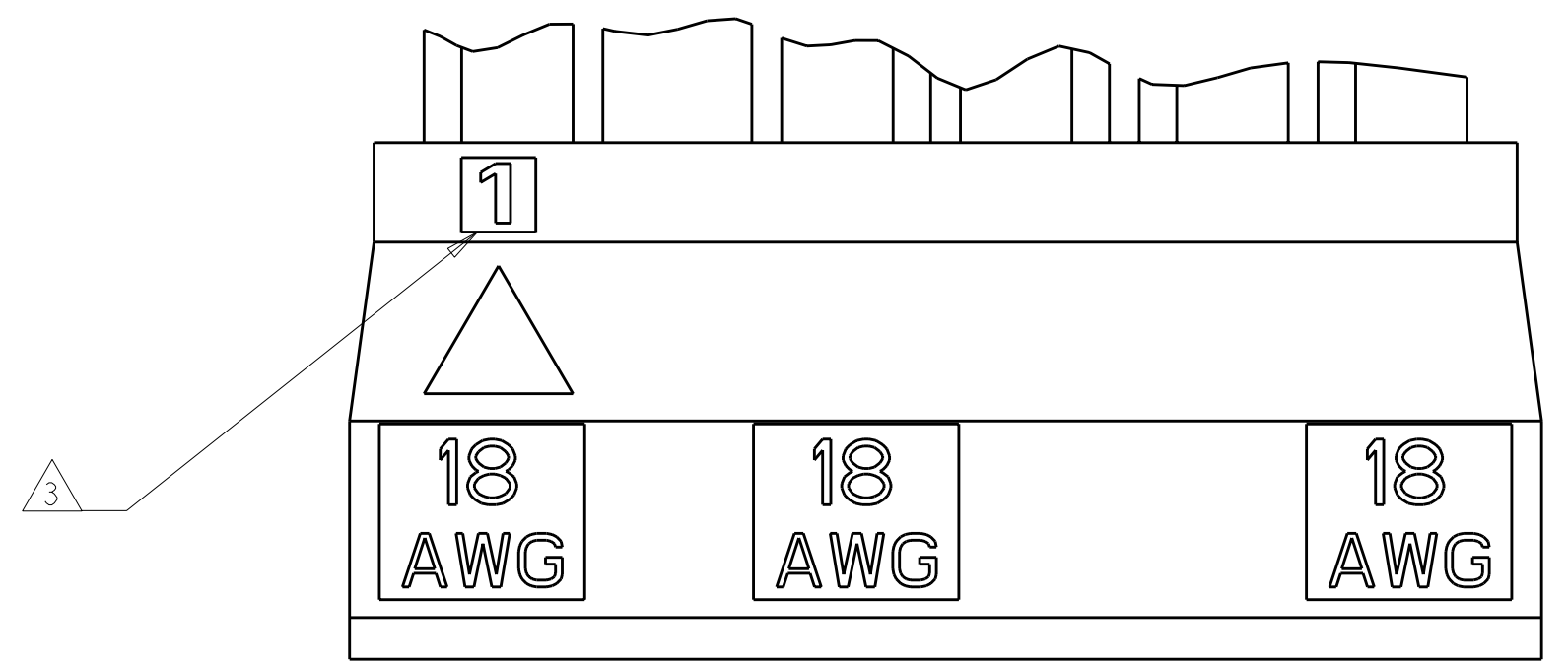
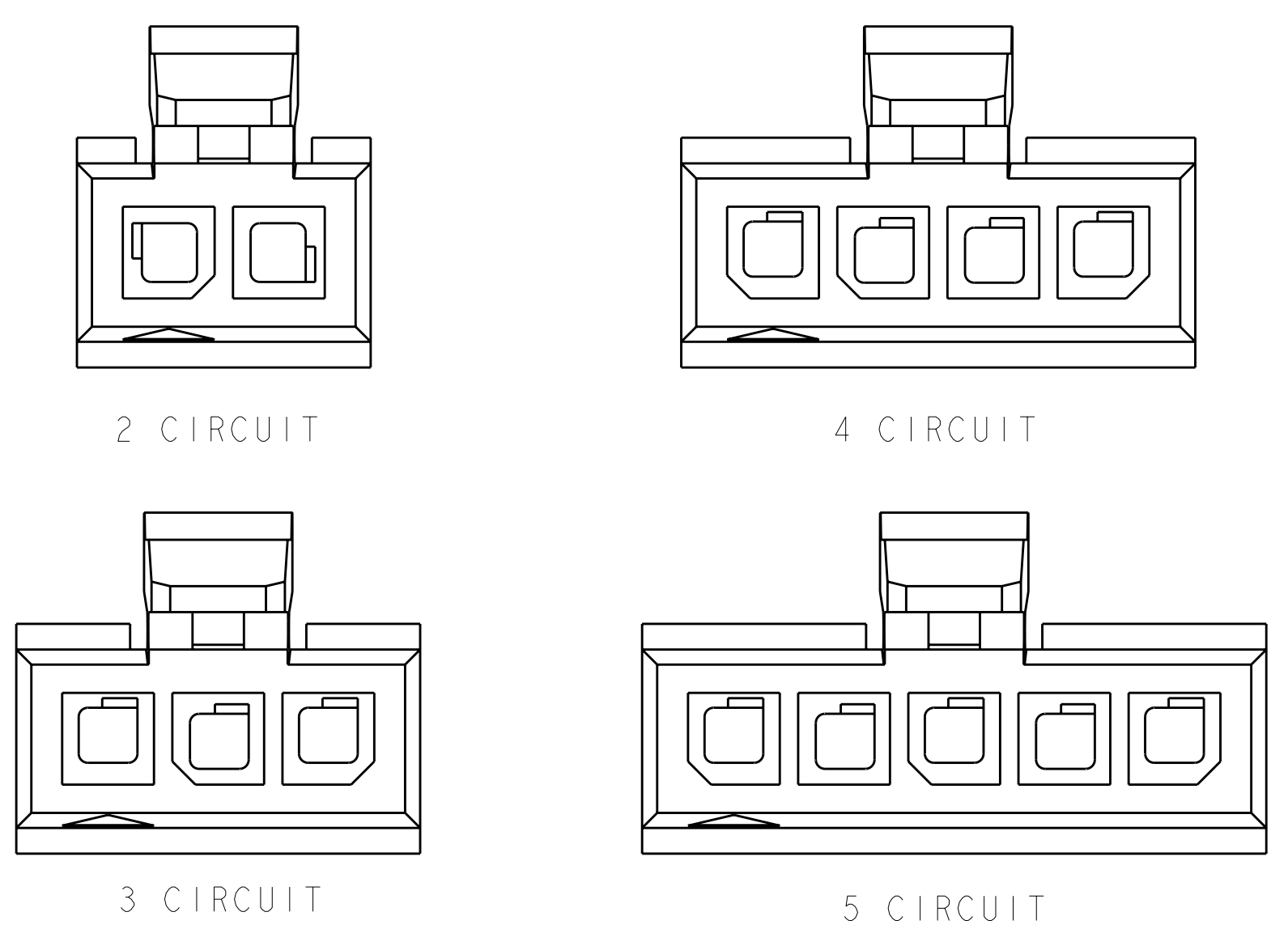
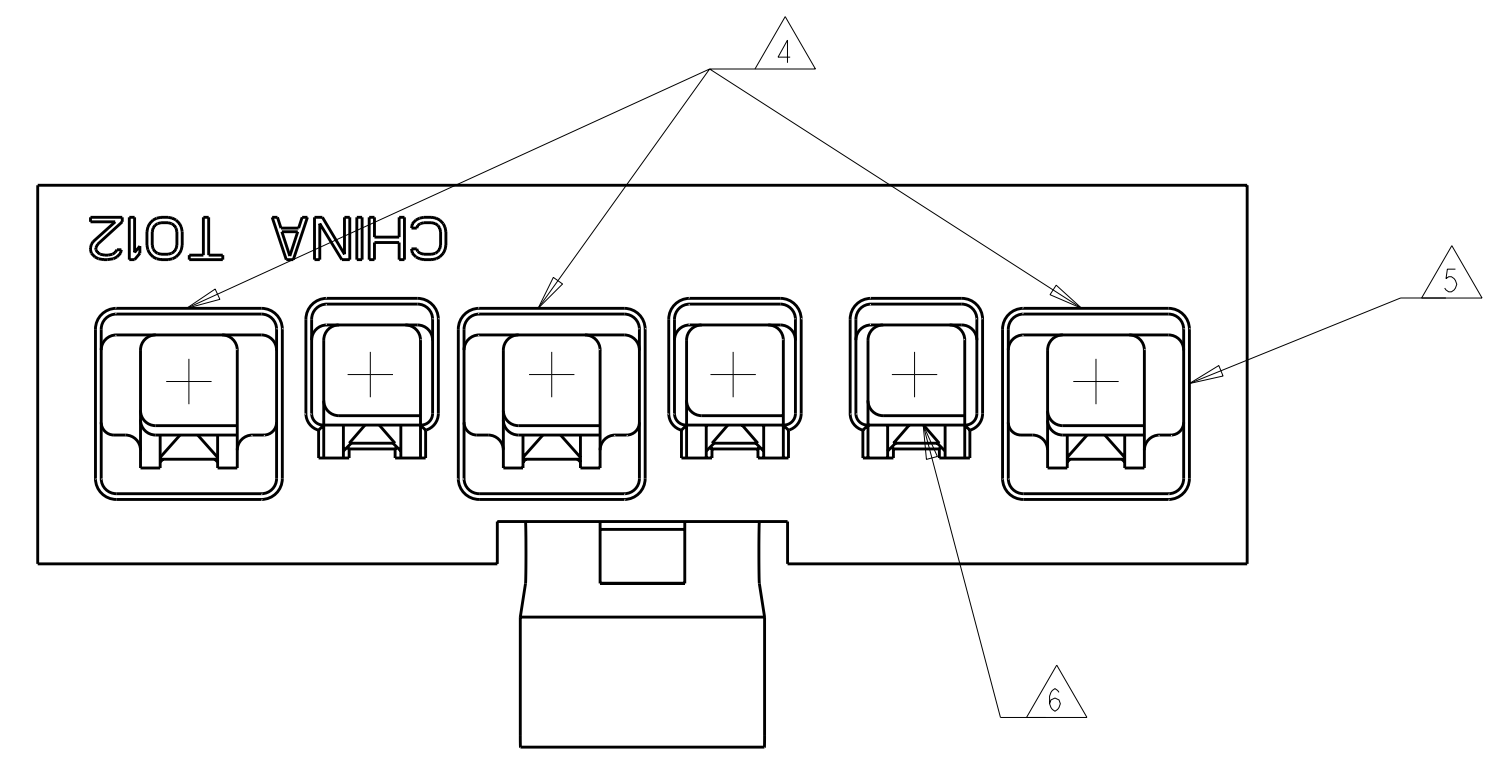
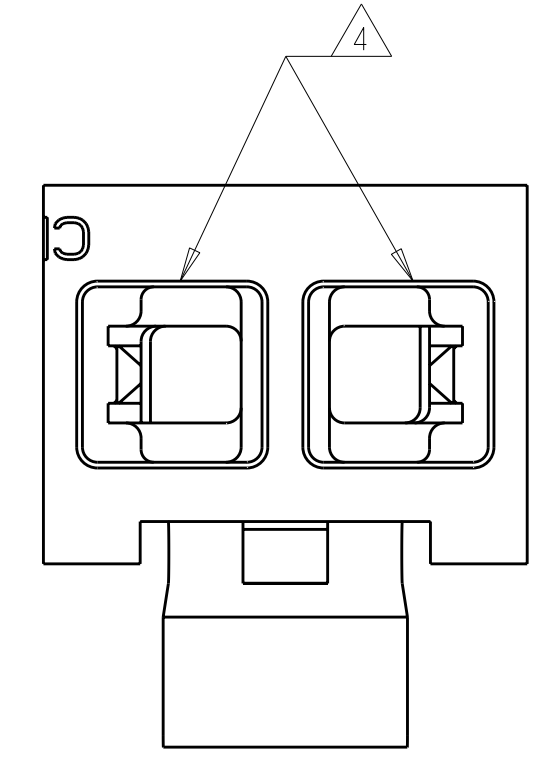


LOC	DIST	REVISIONS			
CM	0	REV	DATE	BY	APPD
		B2	19JAN12	JR	TM

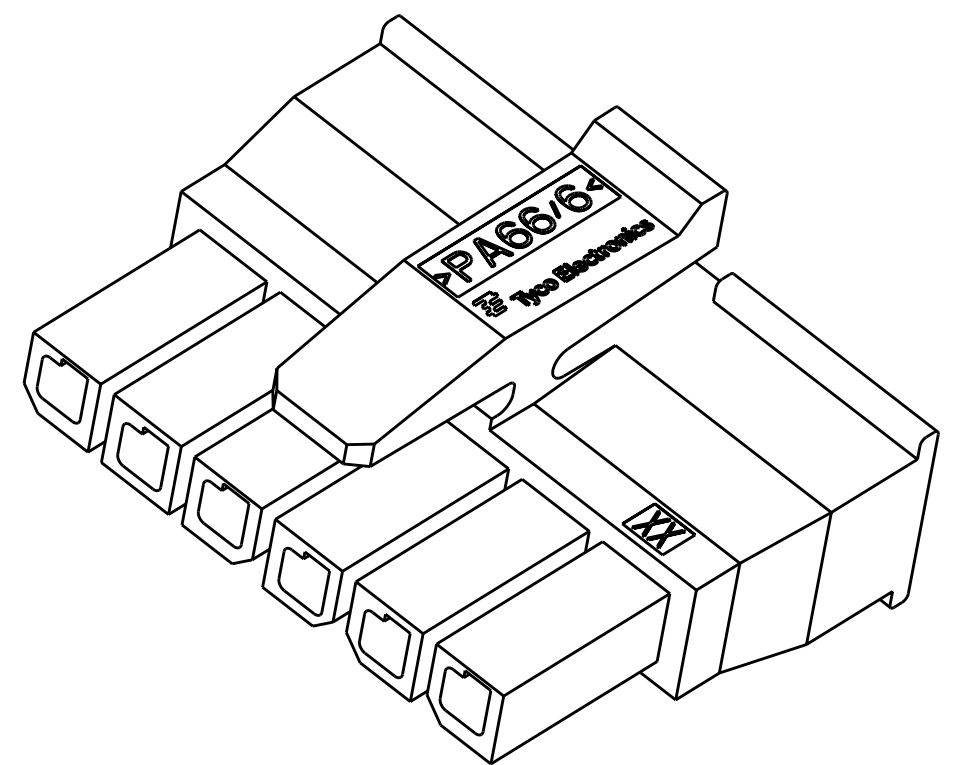
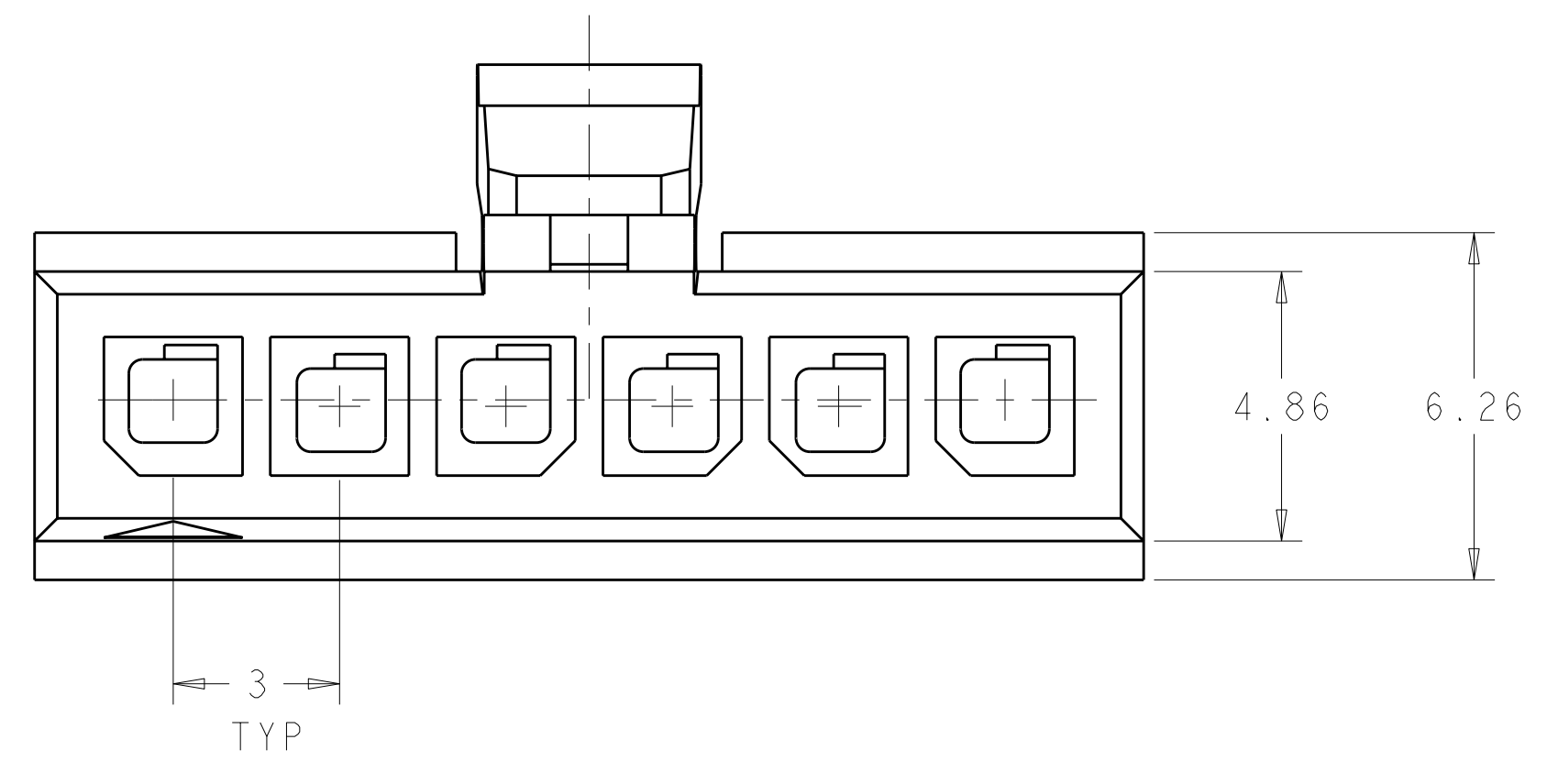
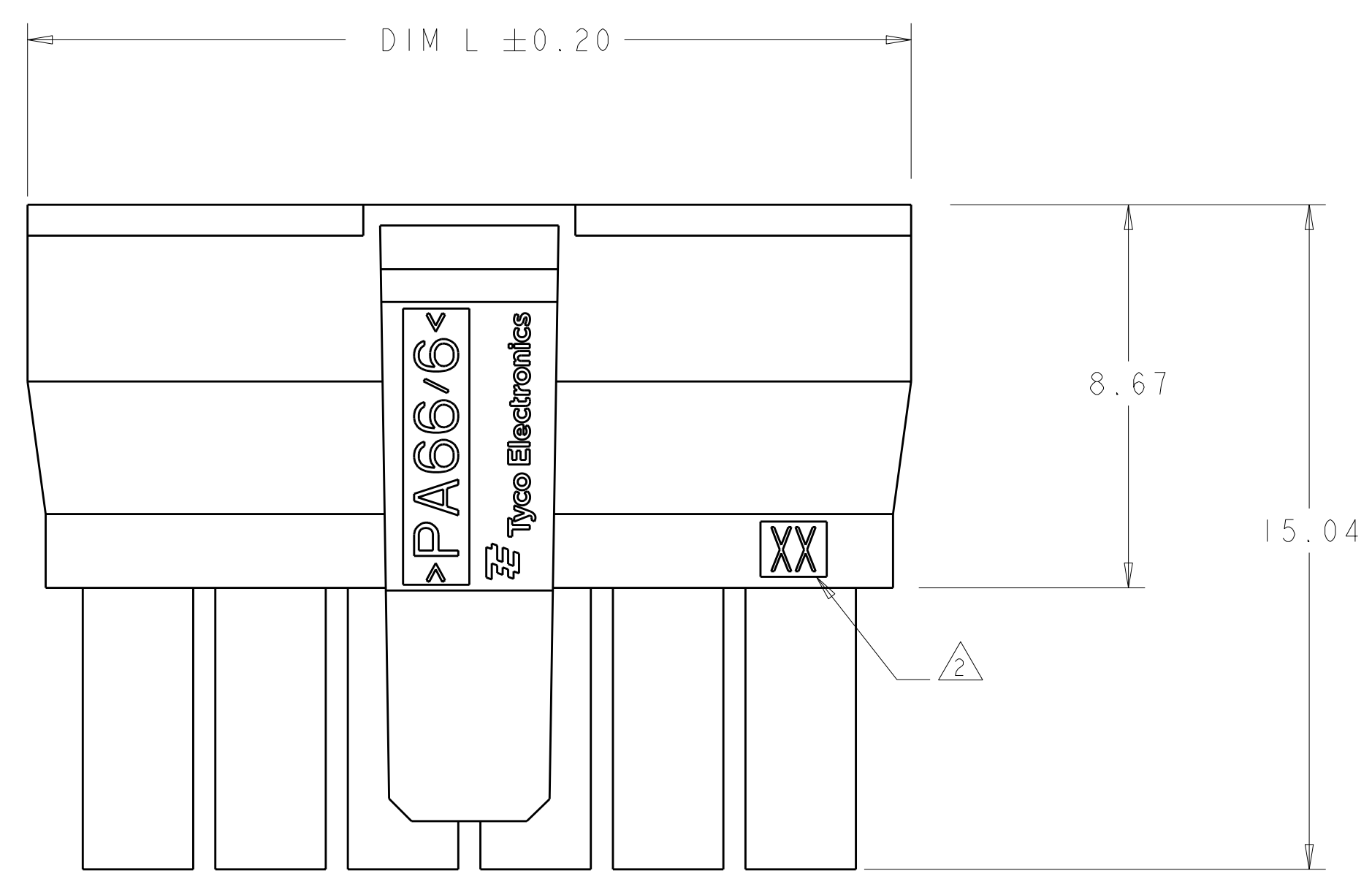


- 1 MATERIAL: NYLON, UL94V-0, COLOR- (SEE TABLE).
- 2 LAST CIRCUIT IDENTIFIER LOCATED IN APPROX AREA SHOWN.
- 3 CIRCUIT 1 ID LOCATED IN APPROX AREA SHOWN.
- 4 THE TWO END CAVITIES ARE ENLARGED TO ALLOW INSERTION OF 18 AWG RECEPTACLE CONTACT. FOR 2 CIRCUIT HOUSINGS THESE CAVITIES WILL BE ROTATED 90° FROM SHOWN POSITION AND 180° WITH RESPECT TO EACH OTHER. FOR 5 AND 6 CIRCUIT HOUSINGS CIRCUIT 3 IS ALSO ENLARGED TO ALLOW INSERTION OF 18 AWG RECEPTACLE CONTACT.
- 5 FOR WIRE INSULATION 2.80 MAX OD
- 6 FOR WIRE INSULATION 1.90 MAX OD



KEYING CONFIGURATIONS  
SCALE 6:1

VOLUME mm <sup>3</sup>	DIM L	NO. OF POS.	COLOR	PART NUMBER
868.4	20.00	6	NATURAL	I-2008571-6
665.41	17.00	5	NATURAL	I-2008571-5
557.63	14.00	4	NATURAL	I-2008571-4
451.11	11.00	3	NATURAL	I-2008571-3
344.6	8.00	2	NATURAL	I-2008571-2
868.4	20.00	6	BLACK	2008571-6
665.41	17.00	5	BLACK	2008571-5
557.63	14.00	4	BLACK	2008571-4
451.11	11.00	3	BLACK	2008571-3
344.6	8.00	2	BLACK	2008571-2



SCALE 5:1

**METRIC**

DIMENSIONS: mm 		TOLERANCES UNLESS OTHERWISE SPECIFIED: 9 PLC ±.5 1 PLC ±0.5 2 PLC ±0.13 3 PLC ±0.13 4 PLC ±.5 ANGLES ±.5 FINISH -		DWN R. BROWN 18MAR2008 CHK M. McCARTHY 18MAR2008 APVD M. McCARTHY 18MAR2008 NAME RECEPTACLE HOUSING, 2 TO 6 POSN, SINGLE ROW, MICRO MATE-N-LOK(TM), TOP LATCH, 18 AWG PRODUCT SPEC - APPLICATION SPEC - WEIGHT - CUSTOMER DRAWING		Tyco Electronics Harrisburg, PA 17105-3608 SIZE CAGE CODE DRAWING NO. RESTRICTED TO A100779C=2008571 SCALE 8:1 SHEET 1 OF 1 REV B2	
-----------------------	--	--	--	--	--	--	--

# Mouser Electronics

Authorized Distributor

Click to View Pricing, Inventory, Delivery & Lifecycle Information:

[TE Connectivity:](#)

[1-2008571-2](#)