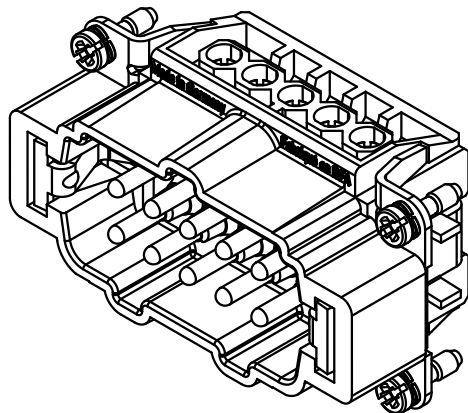
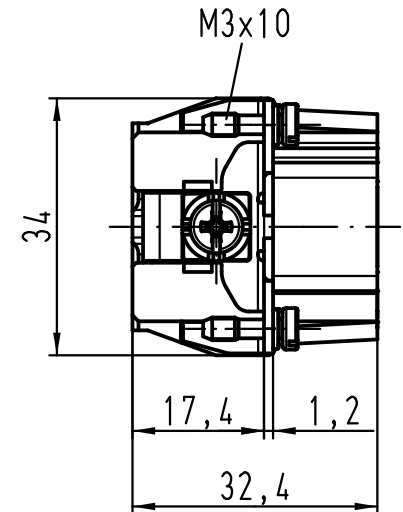
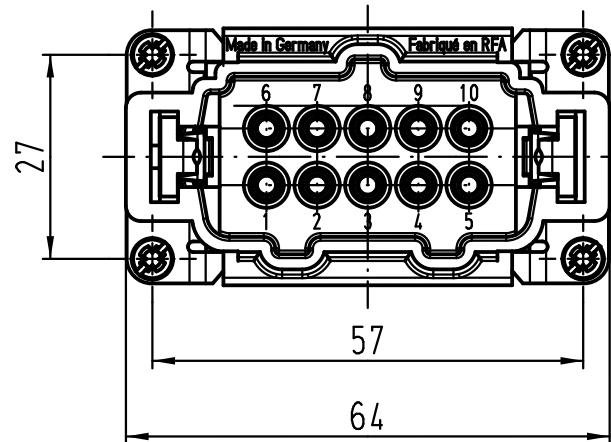
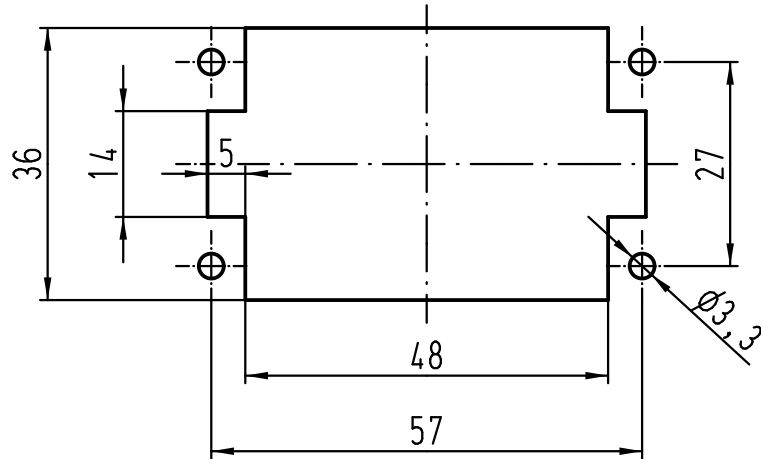


Montageausschnitt  
panel cut out



All Dimensions in mm Original Size DIN A 4		Techn. Character.			Nicht tolerierte Maße/Free size tolerances	
			Dat.	Name	Maßstab/Scale <b>1:1</b>	<b>Han 10E-M-s</b> Stifteinsatz male insert
		Detail.	02.09.11	Spr		
		Insp.		Tie		
		Stand.				
A		HARTING Electric GmbH & Co. KG				<b>TB 09 33 010 2601</b>
Mod.	Dat.	Name	D-32339 Espelkamp			
					Sub. TB 09 33 010 2601 v. 09.04.98	
						Blatt/ page

# Mouser Electronics

Authorized Distributor

Click to View Pricing, Inventory, Delivery & Lifecycle Information:

[HARTING:](#)

[09330102601](#)