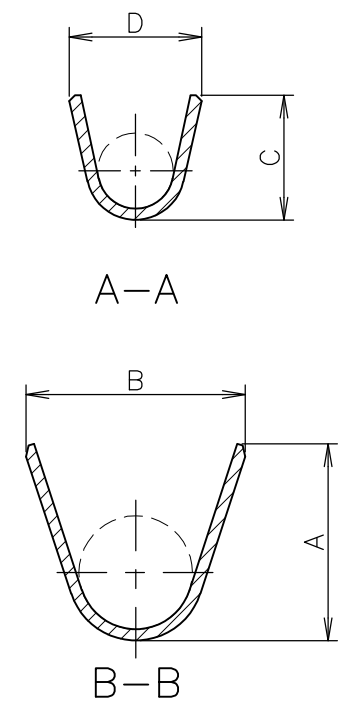
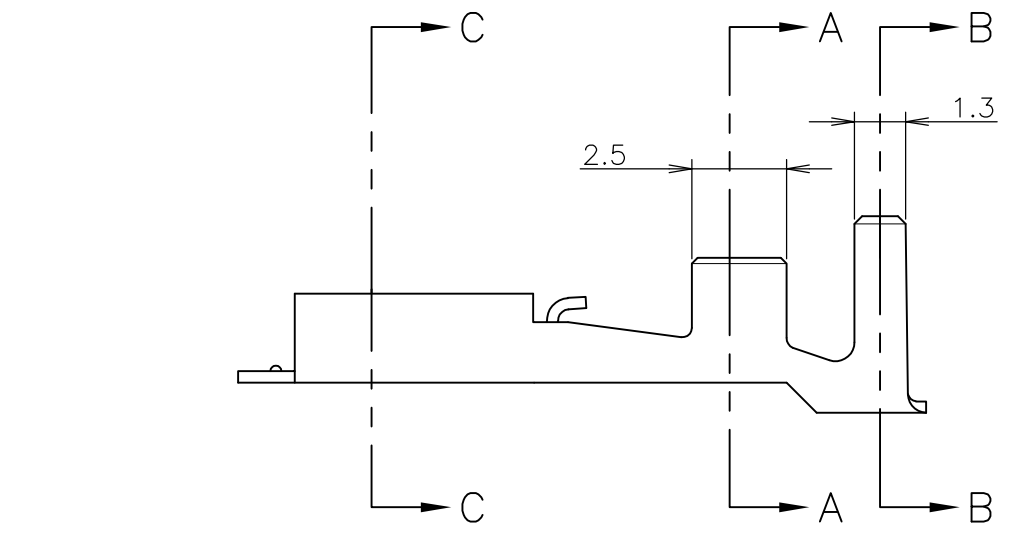
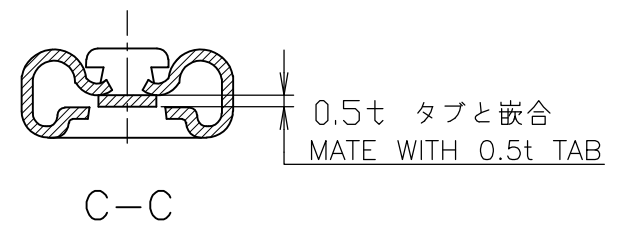
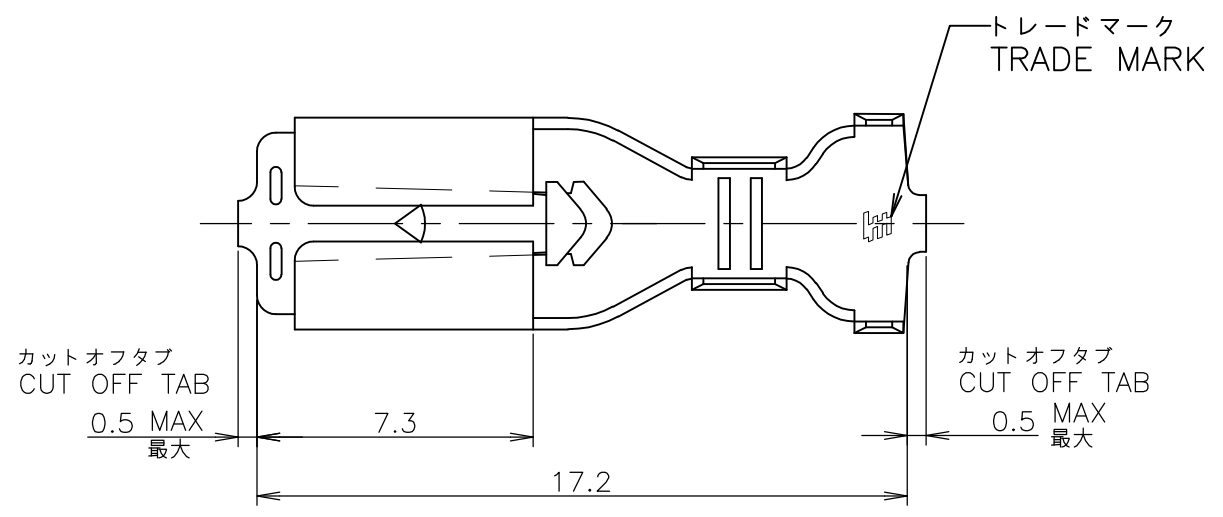


THIS DRAWING IS UNPUBLISHED. RELEASED FOR PUBLICATION MAY, 1999.  
 © COPYRIGHT 1999 By - ALL RIGHTS RESERVED.

LOC	DIST	REVISIONS					
J	/	P	LTR	DESCRIPTION	DATE	DWN	APVD
			L3	REVISED PER ECR-17-010416	3AUG2017	DT	TD



-1, -5, -7; AS SHOWN

- 1 運用スリーブ型番: 174737
- 2 取扱い説明書: 411-5391
- 3 手動工具型番: 911588-1
- 4 材料: 錫めっき済み黄銅 (0.3t)
- 5 材料: 錫めっき済み磷青銅 (0.3t)

- 1 APPLICABLE SLEEVE P/N: 174737
- 2 INSTRUCTION SHEET NO: 411-5391
- 3 HAND TOOL NO.: 911588-1
- 4 MATERIAL: PRE-TIN BRASS (0.3t)
- 5 MATERIAL: PRE-TIN PHOS BRO (0.3t)
- 6 ADD SEPERATED PACKAGING PAPER OUTSIDE OF THE REELING

AWG #20-#14	3.5	3.3	5.8	5.2	108-5236	4	173725-1	10, INCH PAPER REEL	2232976-1
AWG #20-#18	2.8	2.7	4.3	4.2	108-5236	4	173725-7	10, INCH PAPER REEL	173724-7
AWG #20-#14	3.5	3.3	5.8	4.2	108-5685	5		10, INCH PAPER REEL	173724-5
	3.5	3.3	5.8	5.2	108-5236	4	173725-1	10, INCH PAPER REEL	173724-1
WIRE RANGE	D	C	B	A	PRODUCT SPEC 製品規格	MATERIAL 材料	L.P.NO. ばら状端子型番	REEL SIZE	P/N 型番

WIRE RANGE 抱合電線断面積 AWG #20-#14 INSULATION DIA 被覆外径  
 0.5~2.2 mm<sup>2</sup> 1.9~4.4 mm $\phi$

GENERAL TOLERANCE 一般公差  
 10  $\geq$  :  $\pm 0.2$   
 30  $\geq$  > 10:  $\pm 0.25$   
 100  $\geq$  > 30:  $\pm 0.3$   
 ANGLES:  $\pm 3^\circ$

THIS DRAWING IS A CONTROLLED DOCUMENT.  
 DIMENSIONS: 単位: 耗 mm  
 TOLERANCES UNLESS OTHERWISE SPECIFIED: 一般公差  
 0 PLC  $\pm$   
 1 PLC  $\pm$   
 2 PLC  $\pm$   
 3 PLC  $\pm$   
 4 PLC  $\pm$   
 ANGLES  $\pm$   
 MATERIAL 表参照 材料 SEE TABLE  
 FINISH 仕上

DWN M.SUZUKI 10MAY1999  
 CHK M.SHINDO 10MAY1999  
 APVD M.SHINDO 10MAY1999  
 PRODUCT SPEC 表参照  
 製品規格 SEE TABLE  
 APPLICATION SPEC  
 取付適用規格 114-5114  
 WEIGHT

**STE** TE Connectivity

187 SERIES POSITIVE LOCK-EX  
 187 シリーズ ポジティブ ブロック-EX リセブタクル

SIZE A3 CAGE CODE 00779 DRAWING NO 番号 C=173724 RESTRICTED TO

CUSTOMER DRAWING SCALE 尺度 5:1 SHEET 1 OF 1 REV L3

# Mouser Electronics

Authorized Distributor

Click to View Pricing, Inventory, Delivery & Lifecycle Information:

[TE Connectivity:](#)

[173724-1 \(Mouser Reel\)](#)