

MATERIALS		
COMPONENT NAME	BASE MATERIAL	FINISH
CASE	LCP, BLACK, UL94 V-0	
TERMINAL, WIRE LUG (GOLD)	BRASS	GOLD OVER NICKEL
TERMINAL, PC & RA (GOLD)	BRASS	GOLD OVER NICKEL IN CONTACT AREA, TIN OVER NICKEL IN SOLDER AREA
TERMINAL, VRA (GOLD)	BRASS	GOLD OVER NICKEL IN CONTACT AREA, TIN OVER NICKEL IN SOLDER AREA
TERMINAL, WIRE LUG (SILVER)	SILVER CLAD COPPER	SILVER OVER NICKEL
TERMINAL, PC (SILVER)	SILVER CLAD COPPER	SILVER OVER NICKEL
CONTACT (GOLD)	COPPER ALLOY OR BRASS	GOLD OVER NICKEL
CONTACT (SILVER)	SILVER CLAD COPPER OR COPPER	SILVER OVER NICKEL
FRAME	STEEL	TIN OVER COPPER
SPRING	MUSIC WIRE	
PLUNGER BUTTON	NYLON 6/6, BLACK, RED OR BLUE, UL94 HB (EXTENDED) OR UL94V-2 (FLUSH)	
SUPPORT BRACKET (RA*ES VERSIONS ONLY)	BRASS	TIN OVER COPPER
SUPPORT BRACKET VRA (B&C BUSHINGS ONLY)	STEEL	TIN OVER COPPER
BUSHING	BRASS	NICKLE OVER COPPER
MOUNTING NUT	BRASS	NICKEL
LOCKWASHER	STEEL	NICKEL
ES HOUSING	NYLON 6/6, NATURAL, UL94 V-2	
ES BOOT	VINYL PLASTISOL, BLACK	

PART NUMBER MATRIX									
MODEL	ACTUATOR	POLES	RATING	FUNCTION	PLATING	TERMINATIONS	PROCESS SEAL	BUTTON COLOR	04
TPC	BLANK=EXTENDED	1	1=GOLD .4VA	C=SPST MOMENTARY	G=GOLD	BLANK=WIRE LUG	ES=PROCESS SEALED	0=BLACK	
	F=FLUSH 1	2	3=SILVER 1 AMP <sup>2</sup>	F=SPDT MOMENTARY	BLANK=SILVER <sup>2</sup>	PC=PRINTED CIRCUIT		2=RED	
				M=DPST MOMENTARY		RA=RIGHT ANGLE 3		6=BLUE	
				R=DPDT MOMENTARY		VRA=VERTICAL RIGHT ANGLE			

NOTES:

- AVAILABLE WITH B & C BUSHINGS ONLY
- SILVER ONLY AVAILABLE IN WIRE LUG AND PC TERMINATIONS
- RAES AVAILABLE WITH B & C BUSHING ONLY
- VRA ONLY AVAILABLE IN SINGLE POLE

SPECIFICATIONS	
RATING	GOLD: .4VA MAX. @ 20VDC OR PEAK AS RESISTIVE SILVER: 1A @ 125VAC OR 28 VDC RESISTIVE
INITIAL TERMINATION RESISTANCE	20 MILLIOHMS MAX.
INSULATION RESISTANCE	1,000 MEGOHMS MIN @ 500 VDC
DIELECTRIC STRENGTH	1,000 VOLTS RMS AT SEA LEVEL
TIMING	BREAK BEFORE MAKE
PLUNGER TRAVEL	.030
ACTUATION FORCE	50 TO 400 GRAMS
LIFE EXPECTANCY	.4 VA, 1 POLE: 100,000 .4 VA, 2 POLES: 80,000 1 A, 1 POLE: 60,000 1 A, 2 POLES: 50,000
OPERATING TEMPERATURE	-30°C TO +65°C
STORAGE TEMPERATURE	-30°C TO +65°C
TERMINAL SEAL	SINGLE POLE: EPOXY DOUBLE POLE: EPOXY OPTIONAL

- TERMINAL NUMBERS ARE FOR REFERENCE ONLY AND DO NOT APPEAR ON SWITCHES
  - ALL MATERIALS AND FINISHES COMPLY WITH EU DIRECTIVE 2002/95/EC OF 27JAN2003 (ROHS)
  - DISPOSABLE BOOT SUPPLIED WITH ES VERSIONS. BOOT TO BE PLACED OVER BUSHING BEFORE SOLDER WASHING
- 4 CENTER TERMINAL PRESENT ON DOUBLE THROW SWITCHES ONLY.

	P/N	ALCO P/N	FLUSH ACTUATOR	POLES	THROWS	PLATING	TERMINALS	PROCESS SEALED	BUTTON COLOR	FUNCTION				CONNECTED TERMINALS		DIM A
										OFF	MOM	ON	OFF	MOM	ON	
	1825098-1	TPC11CGPC004	NO	1	1	GOLD	PC	NO	BLACK	OFF	MOM	OFF	1-3	.133		
	1825098-2	TPC11CGRA004	NO	1	1	GOLD	RIGHT ANGLE	NO	BLACK	OFF	MOM	OFF	1-3	.133		
OBSOLETE	<del>1825098-3</del>	<del>TPC11CGRA204</del>	NO	1	1	GOLD	RIGHT ANGLE	NO	RED	OFF	MOM	OFF	1-3	.133		
	<del>1825098-4</del>	<del>TPC11CGVRA004</del>	NO	1	1	GOLD	VRA	NO	BLACK	OFF	MOM	OFF	1-3	N/A		
	1825098-5	TPC11FGPC004	NO	1	2	GOLD	PC	NO	BLACK	ON	MOM	OFF	1-2, 2-3	.133		
	<del>1825098-6</del>	<del>TPC11FGRA004</del>	NO	1	2	GOLD	RIGHT ANGLE	NO	BLACK	ON	MOM	OFF	1-2, 2-3	.133		
	<del>1825098-7</del>	<del>TPC11FGVRA004</del>	NO	1	2	GOLD	VRA	NO	BLACK	ON	MOM	OFF	1-2, 2-3	N/A		
	<del>1825098-8</del>	<del>TPC11FGVRA204</del>	NO	1	2	GOLD	VRA	NO	RED	ON	MOM	OFF	1-2, 2-3	N/A		
	<del>1825098-9</del>	<del>TPC13C004</del>	NO	1	1	SILVER	WIRE LUG	NO	BLACK	OFF	MOM	OFF	1-3	.133		
OBSOLETE	<del>1825098-0</del>	<del>TPC13C204</del>	NO	1	1	SILVER	WIRE LUG	NO	RED	OFF	MOM	OFF	1-3	.133		
	<del>1825098-1</del>	<del>TPC13CPC004</del>	NO	1	1	SILVER	PC	NO	BLACK	OFF	MOM	OFF	1-3	.133		
	<del>1825098-2</del>	<del>TPC13F004</del>	NO	1	2	SILVER	WIRE LUG	NO	BLACK	ON	MOM	OFF	1-2, 2-3	.133		
	<del>1825098-3</del>	<del>TPC21MGRA204</del>	NO	2	1	GOLD	RIGHT ANGLE	NO	RED	OFF	MOM	OFF	1-3, 4-6	N/A		
	<del>1825098-4</del>	<del>TPC21RGPC004</del>	NO	2	2	GOLD	PC	NO	BLACK	ON	MOM	OFF	1-2, 4-5, 2-3, 5-6	N/A		
	<del>1825098-5</del>	<del>TPC23M004</del>	NO	2	1	SILVER	WIRE LUG	NO	BLACK	OFF	MOM	OFF	1-3, 4-6	N/A		
	<del>1825098-6</del>	<del>TPC23R204</del>	NO	2	2	SILVER	WIRE LUG	NO	RED	ON	MOM	OFF	1-2, 4-5, 2-3, 5-6	N/A		
	1-1825098-7	TPCF11CGPC004	YES	1	1	GOLD	PC	NO	BLACK	OFF	MOM	OFF	1-3	.000		
OBSOLETE	<del>1825098-8</del>	<del>TPCF11CGRA004</del>	YES	1	1	GOLD	RIGHT ANGLE	NO	BLACK	OFF	MOM	OFF	1-3	.000		
	<del>1825098-9</del>	<del>TPCF11FGRA004</del>	YES	1	2	GOLD	RIGHT ANGLE	NO	BLACK	ON	MOM	OFF	1-2, 2-3	.000		
	2-1825098-0	TPCF13C004	YES	1	1	SILVER	WIRE LUG	NO	BLACK	OFF	MOM	OFF	1-3	.000		
	2-1825098-1	TPCF13C004	YES	1	2	SILVER	WIRE LUG	NO	BLACK	ON	MOM	OFF	1-2, 2-3	.000		

THIS DRAWING IS A CONTROLLED DOCUMENT. DIM RAGHU 12-5-05

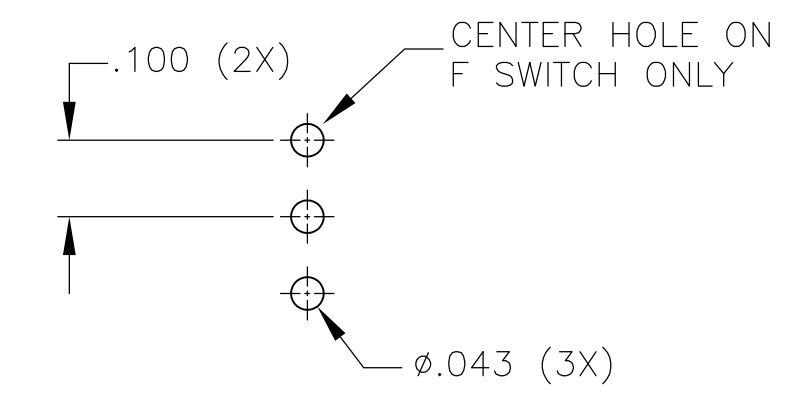
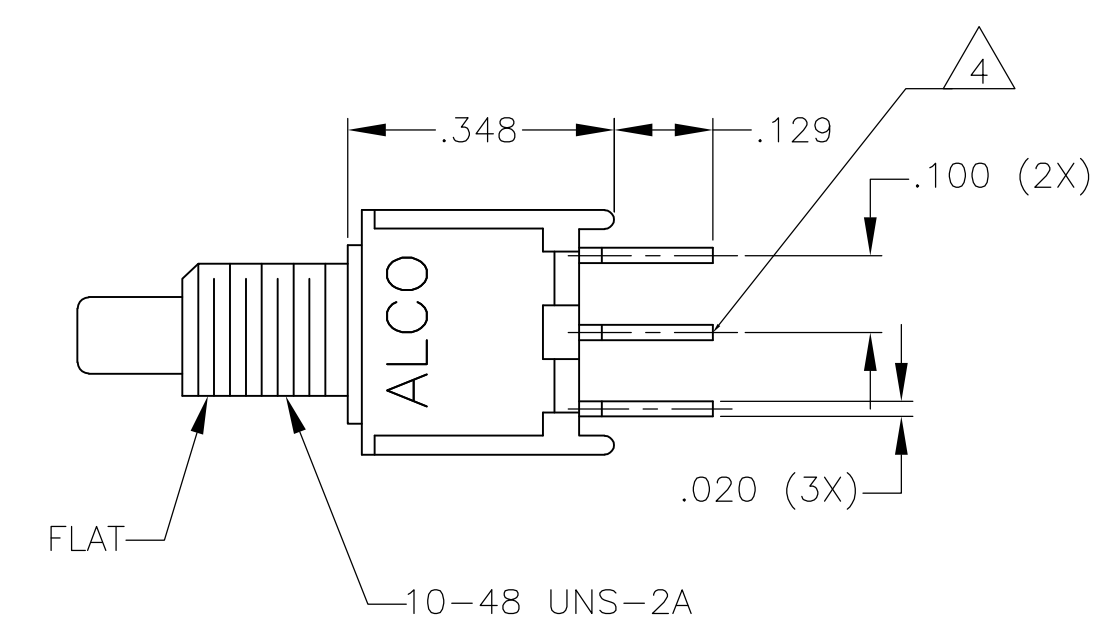
TE Connectivity

PUSHBUTTON SWITCH, TPC SERIES

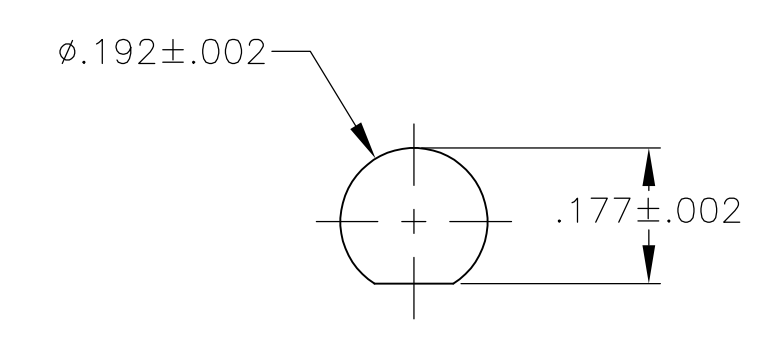
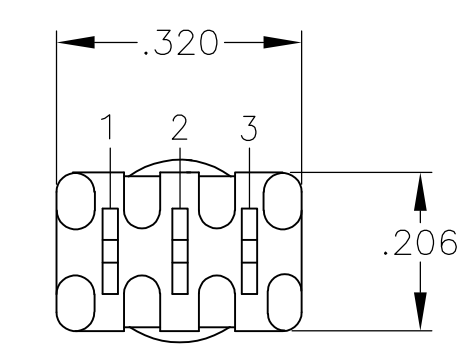
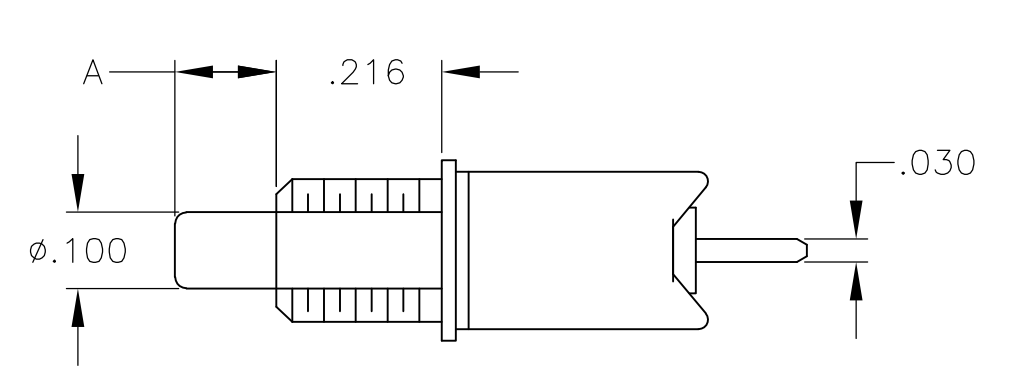
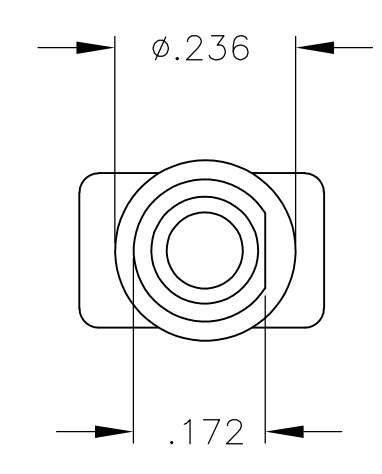
SIZE: A1 CAGE CODE: 00779 DRAWING NO: 1825098

WEIGHT: --- RESTRICTED TO: ---

CUSTOMER DRAWING SCALE: 4:1 SHEET 1 OF 5 REV: A2

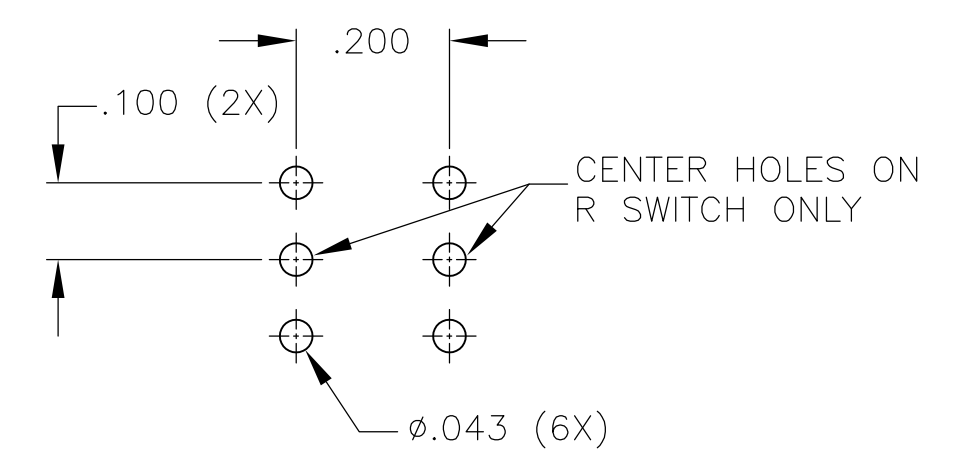
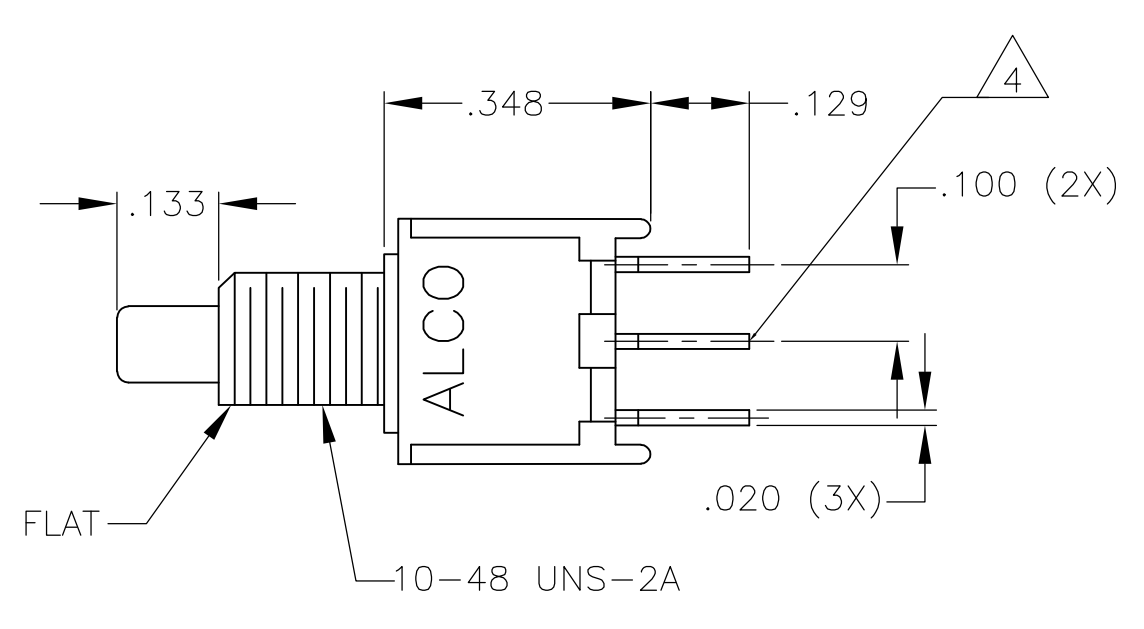


RECOMMENDED PCB LAYOUT  
 TOLERANCES +/- .002

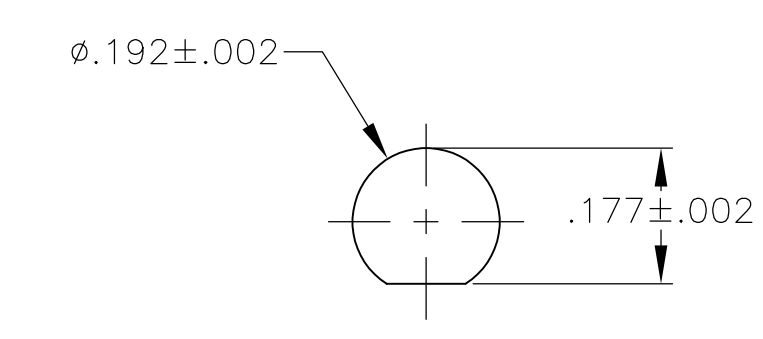
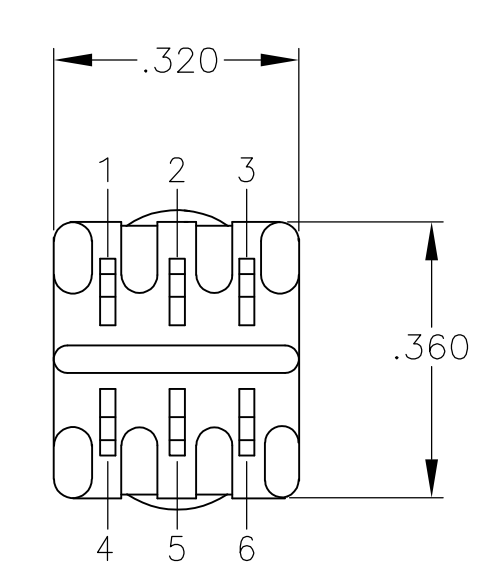
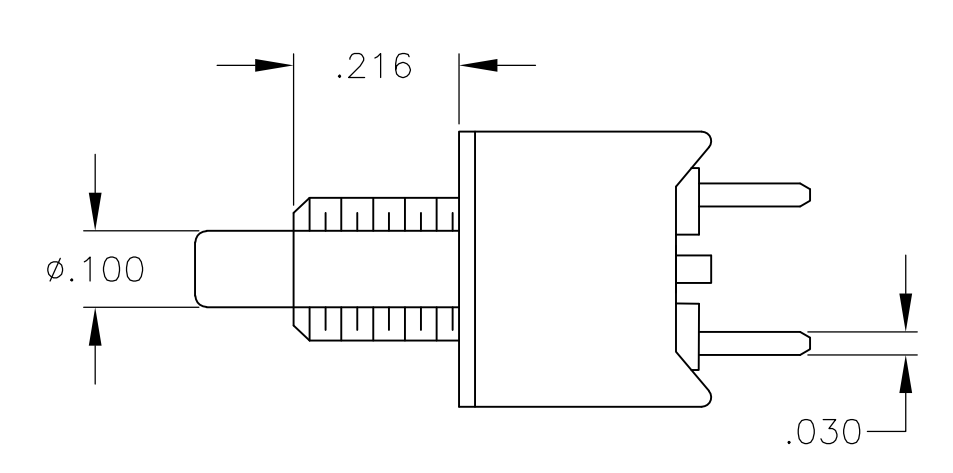
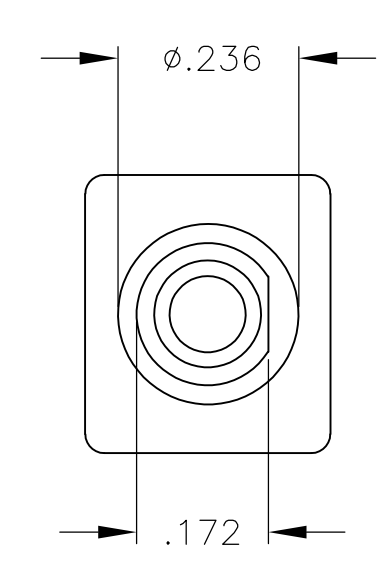


RECOMMENDED PANEL LAYOUT

TPC11CGPC, TPC11FGPC  
 TPCF11CGPC, TPC13CPC



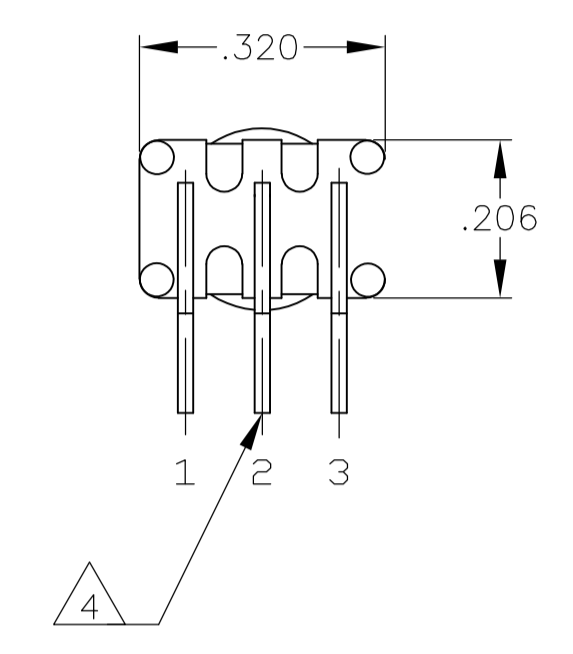
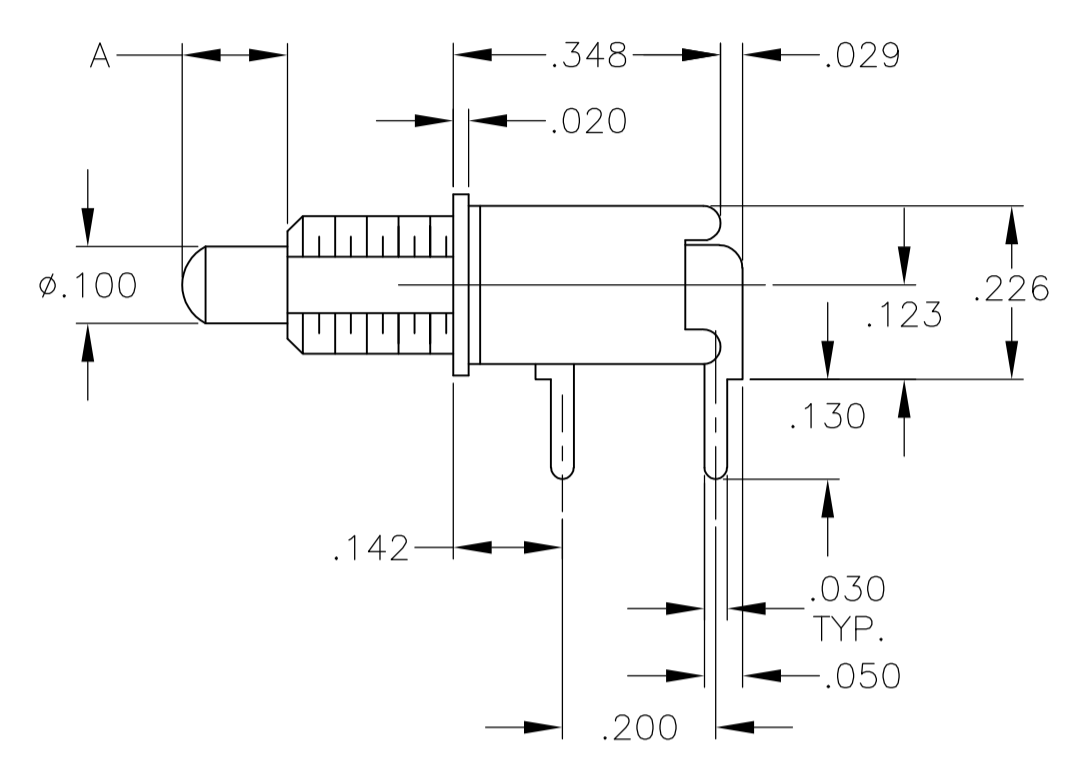
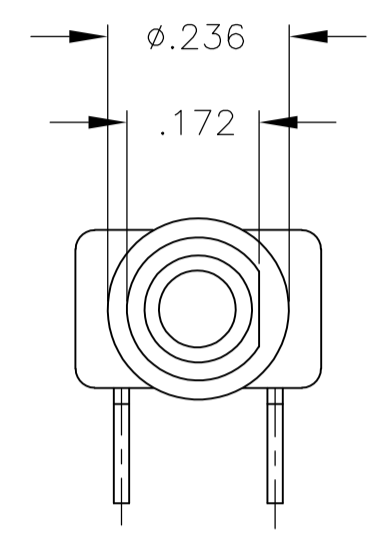
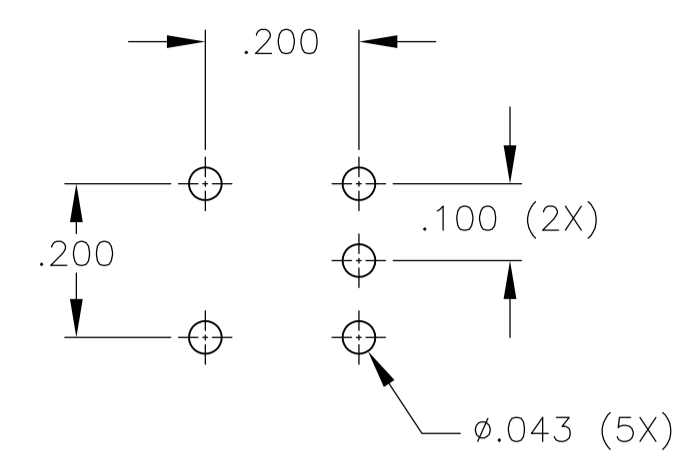
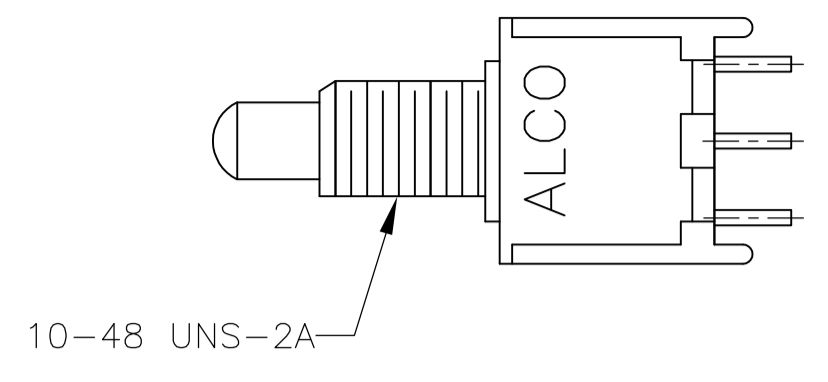
RECOMMENDED PCB LAYOUT  
 TOLERANCES +/- .002



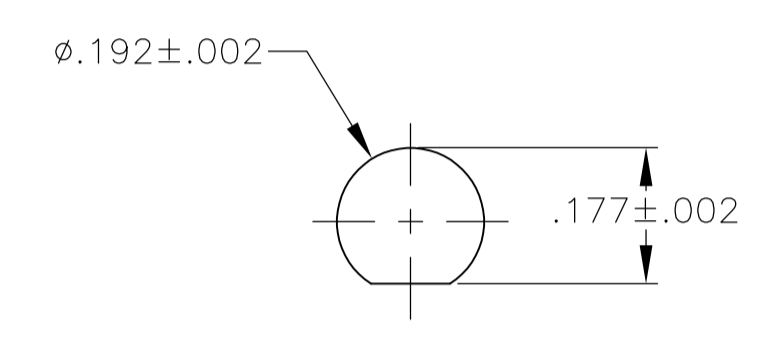
RECOMMENDED PANEL LAYOUT

TPC21RGPC

THIS DRAWING IS A CONTROLLED DOCUMENT.		DWN RAGHU 12-5-05		
DIMENSIONS: INCHES		CHK -		
TOLERANCES UNLESS OTHERWISE SPECIFIED:		APVD -	PRODUCT SPEC	PUSHBUTTON SWITCH, TPC SERIES
0. PLC ± - 1. PLC ± - 2. PLC ± - 3. PLC ± .010 4. PLC ± - ANGLES ± 3° FINISH -		APVD -	APPLICATION SPEC	
MATERIAL -		SIZE A1	CAGE CODE 00779	DRAWING NO. 1825098
		WEIGHT -	CUSTOMER DRAWING	RESTRICTED TO -
		SCALE 4:1	SHEET 2 OF 5	REV A2

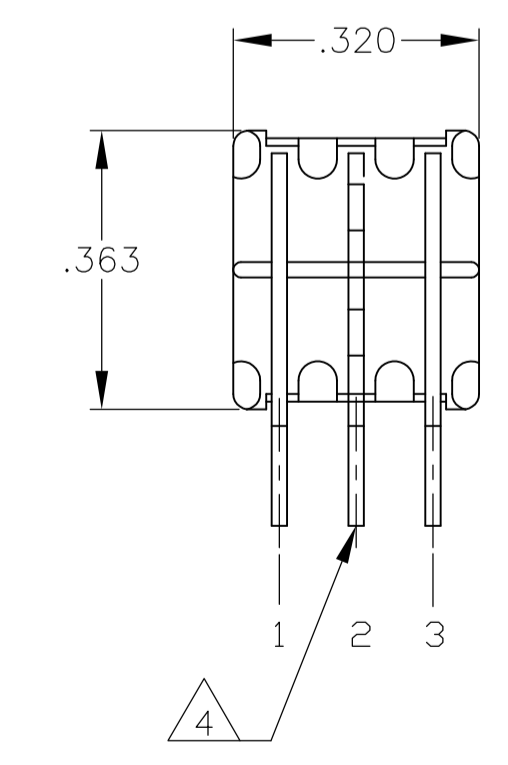
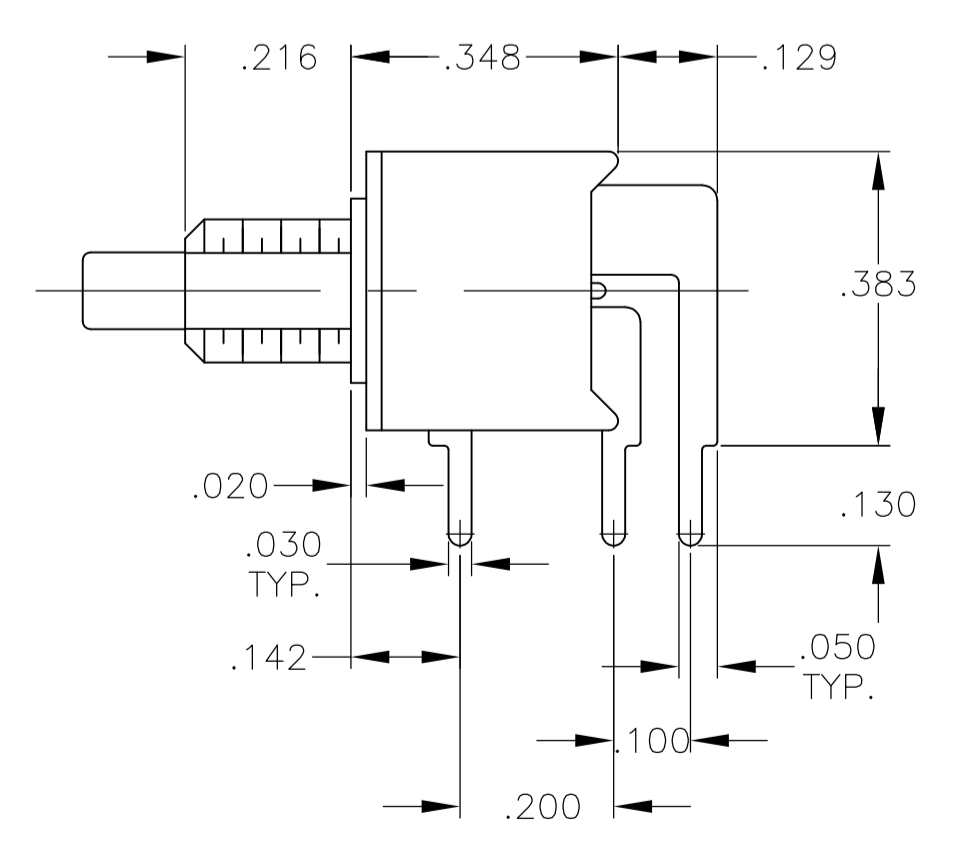
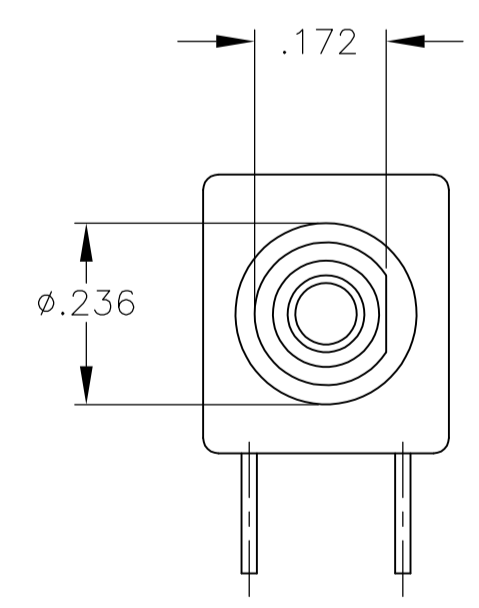
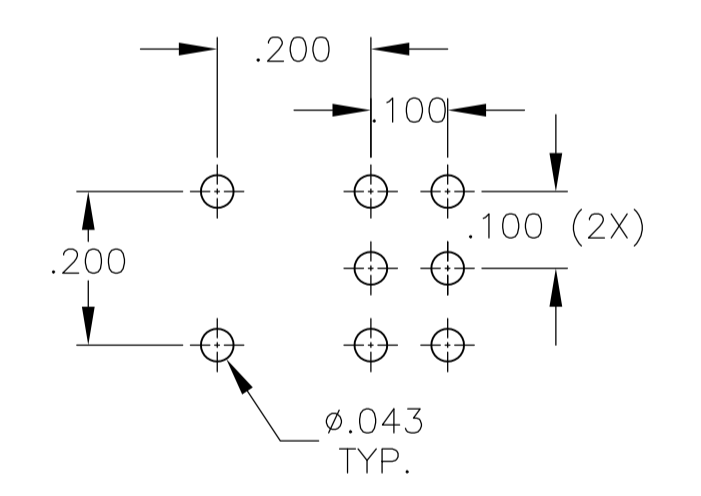
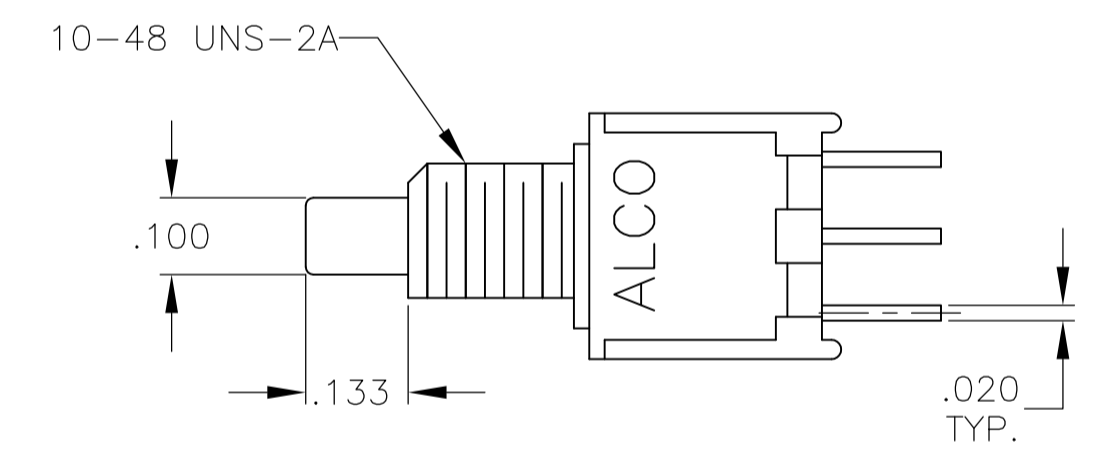


RECOMMENDED PCB LAYOUT  
TOLERANCES +/- .002

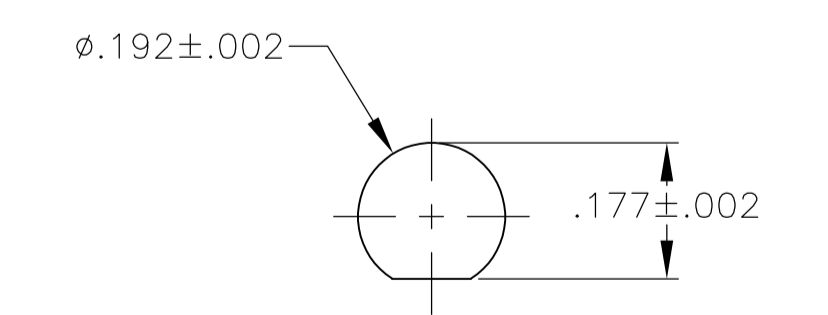


RECOMMENDED PANEL LAYOUT

TPC11CGRA, TPC11FGRA  
TPCF11CGRA, TPCF11FGRA



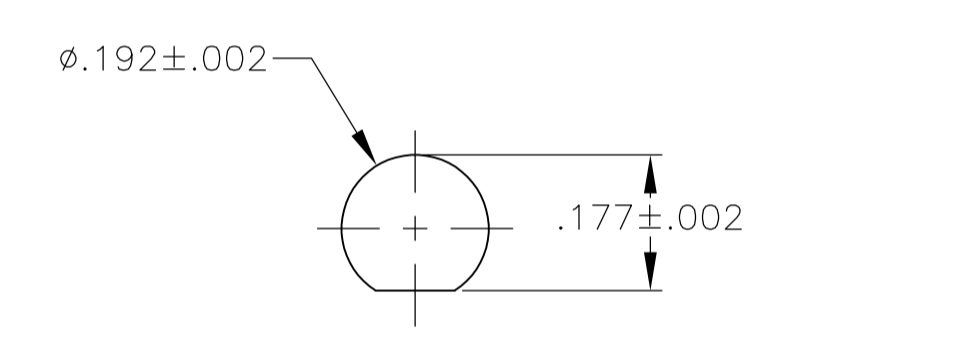
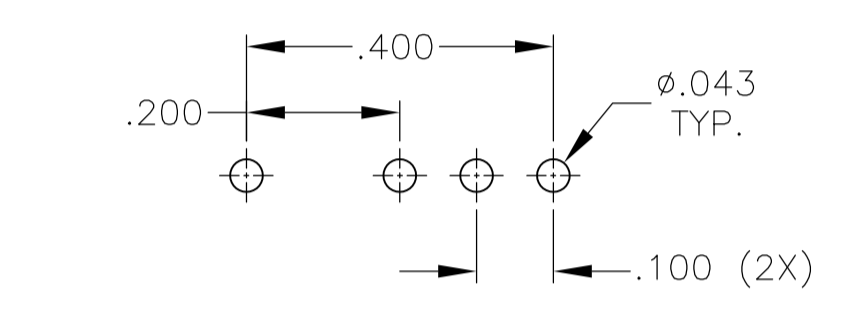
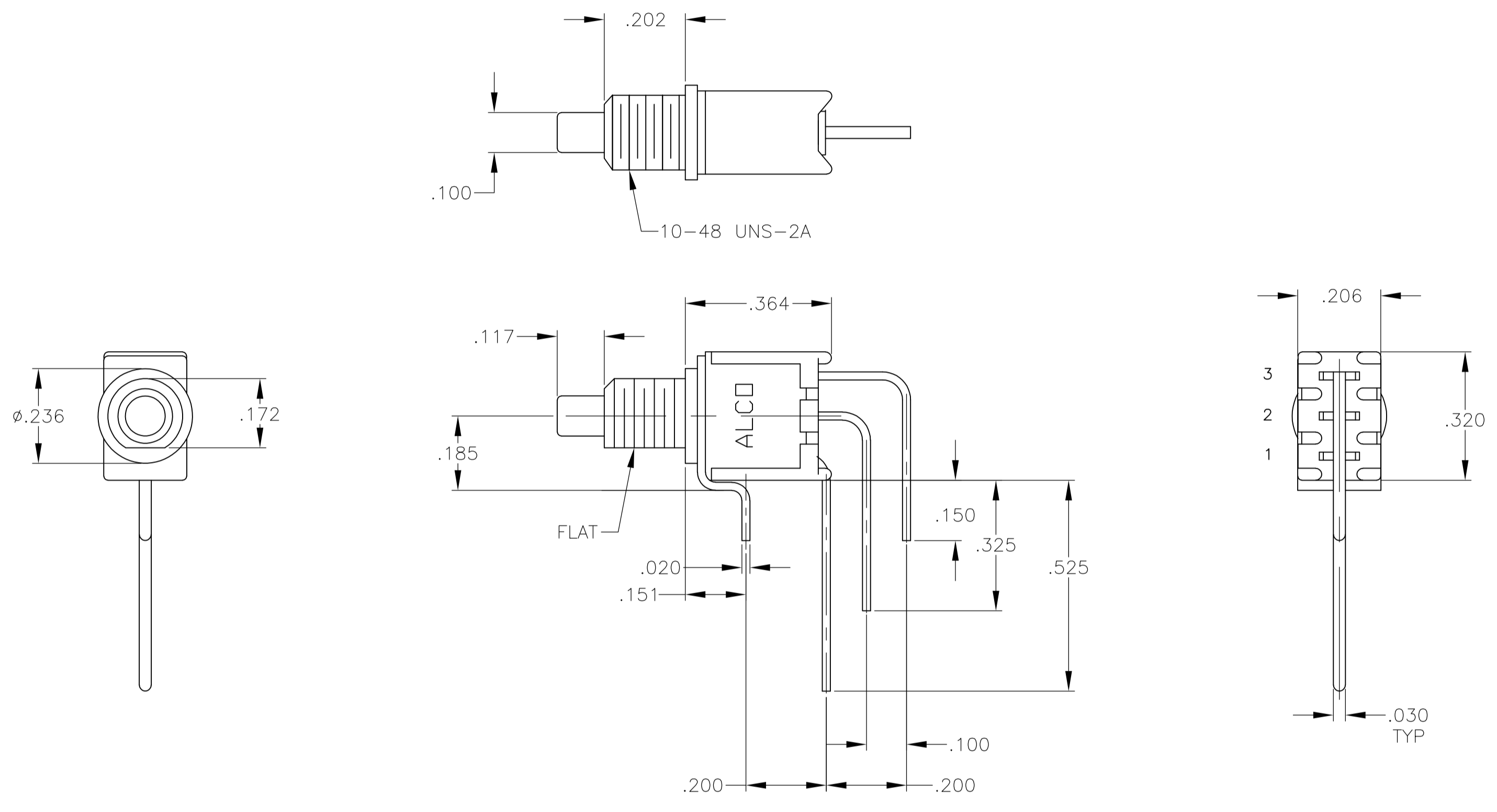
RECOMMENDED PCB LAYOUT  
TOLERANCES +/- .002



RECOMMENDED PANEL LAYOUT

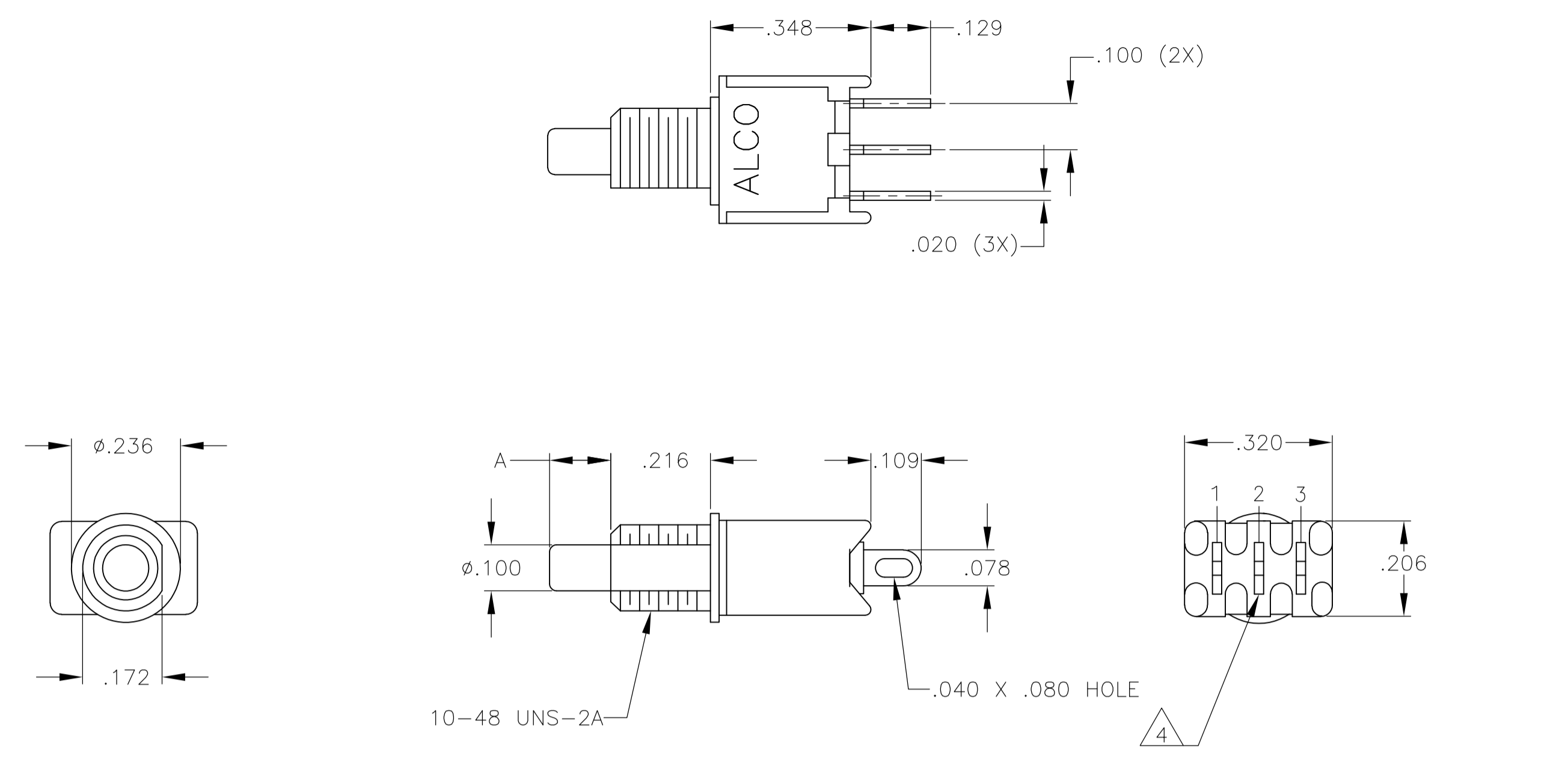
TPC21MGRA

THIS DRAWING IS A CONTROLLED DOCUMENT.		DIN	12-5-05	RAGHU		TE Connectivity	
DIMENSIONS: INCHES		CHK		APVD		NAME	
TOLERANCES UNLESS OTHERWISE SPECIFIED:		0 PLC ± -		PRODUCT SPEC		PUSHBUTTON SWITCH, TPC SERIES	
		1 PLC ± -		APPLICATION SPEC		SIZE	
		2 PLC ± -		APPLIC. SPEC		CAGE CODE	
		3 PLC ± .010		MATERIAL		DRAWING NO	
		4 PLC ± -		FINISH		RESTRICTED TO	
		ANGLES ± ± °		WEIGHT		A1 00779	
				CUSTOMER DRAWING		SCALE 4:1 SHEET 3 OF 5 REV A2	

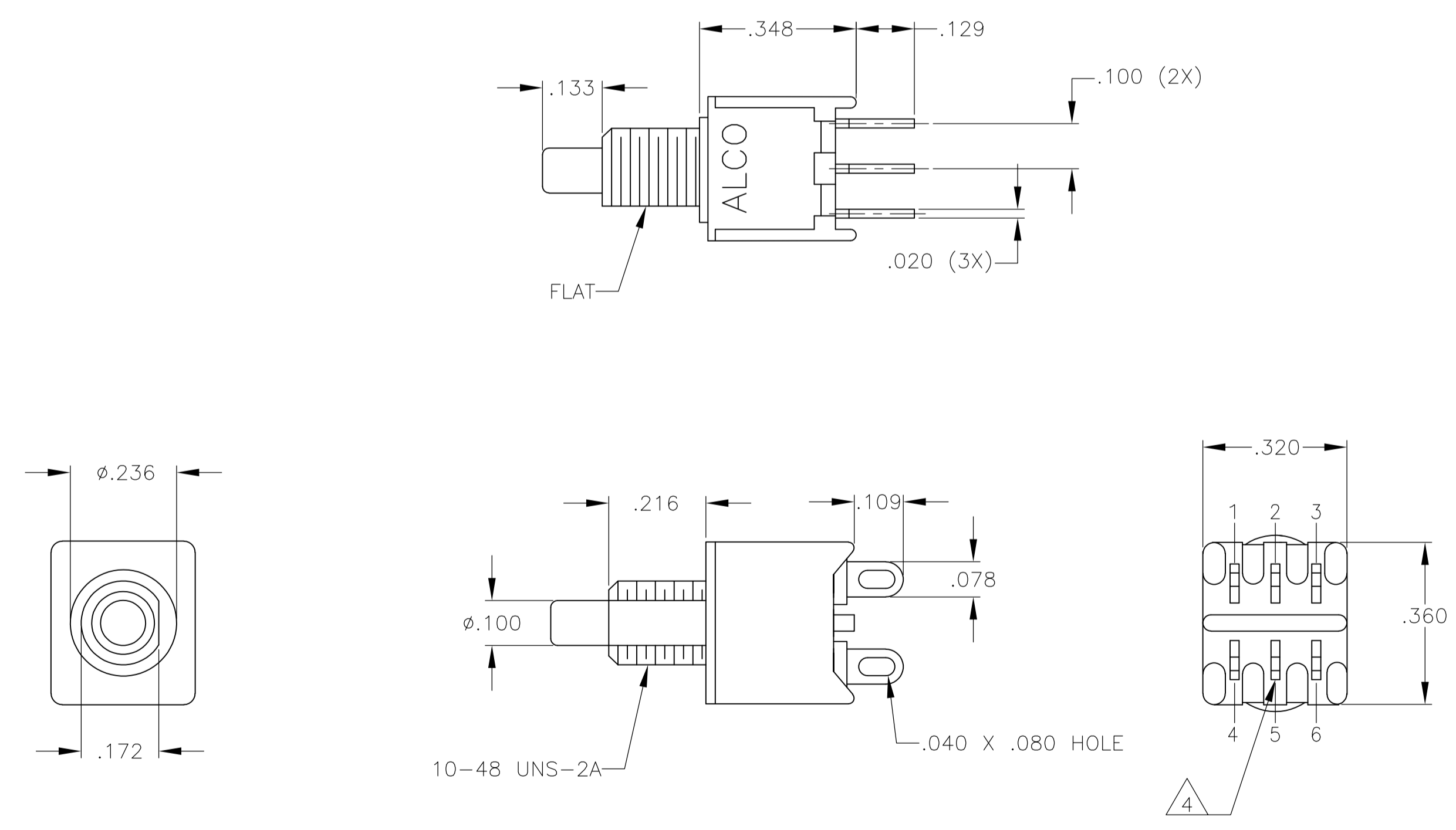
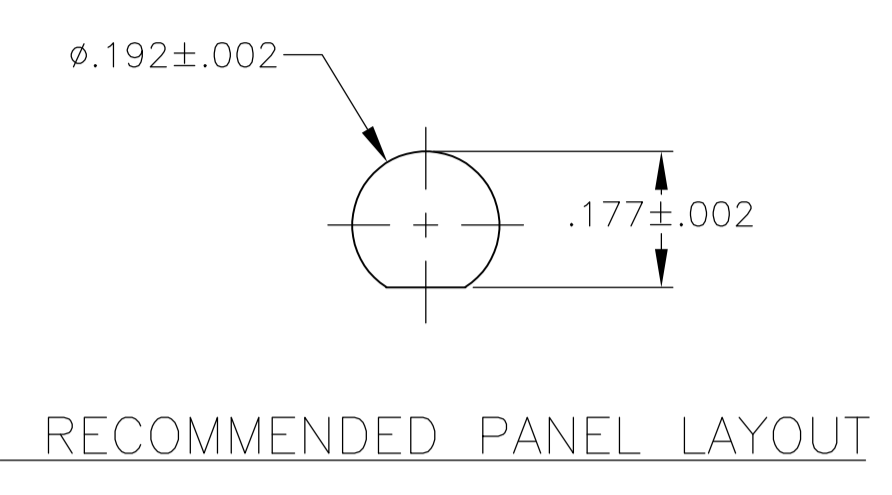


TPC11CGVRA, TPC11FGVRA

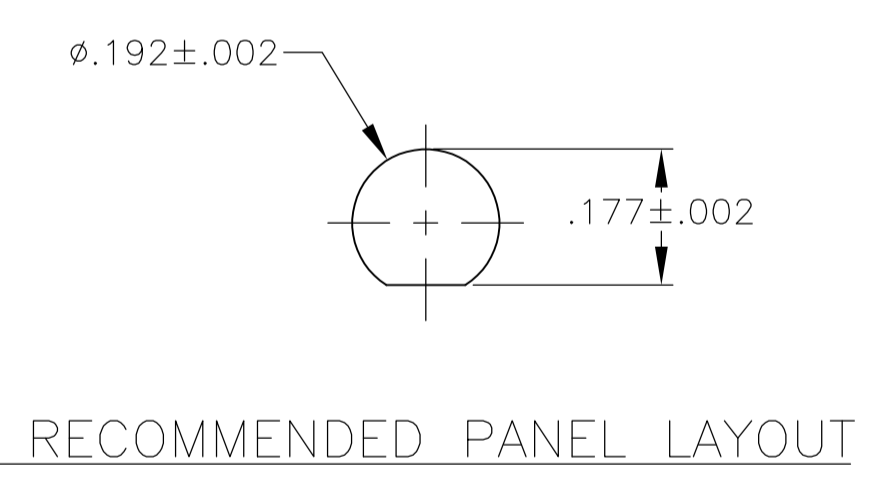
THIS DRAWING IS A CONTROLLED DOCUMENT.		DWN	12-5-05	TE Connectivity																						
DIMENSIONS: INCHES		CHK	-	PUSHBUTTON SWITCH, TPC SERIES																						
TOLERANCES UNLESS OTHERWISE SPECIFIED:		APVD	-	RESTRICTED TO																						
<table border="1"> <tr><td>0. PLC</td><td>±</td><td>-</td></tr> <tr><td>1. PLC</td><td>±</td><td>-</td></tr> <tr><td>2. PLC</td><td>±</td><td>-</td></tr> <tr><td>3. PLC</td><td>±</td><td>.010</td></tr> <tr><td>4. PLC</td><td>±</td><td>-</td></tr> <tr><td>ANGLES</td><td>±</td><td>3°</td></tr> <tr><td>FINISH</td><td>-</td><td>-</td></tr> </table>		0. PLC	±	-	1. PLC	±	-	2. PLC	±	-	3. PLC	±	.010	4. PLC	±	-	ANGLES	±	3°	FINISH	-	-	PRODUCT SPEC	-	SIZE	A1
0. PLC	±	-																								
1. PLC	±	-																								
2. PLC	±	-																								
3. PLC	±	.010																								
4. PLC	±	-																								
ANGLES	±	3°																								
FINISH	-	-																								
MATERIAL		APPLICATION SPEC	-	CAGE CODE	00779																					
CUSTOMER DRAWING		WEIGHT	-	DRAWING NO	1825098																					
SCALE		4:1	SHEET	4	OF 5																					
REV		-	REV	-	-																					



TPC13C, TPC13F,  
TPCF13C, TPC13F



TPC23M, TPC23R



THIS DRAWING IS A CONTROLLED DOCUMENT.		DIN	12-5-05	<b>STE</b> TE Connectivity	
		CHK			
DIMENSIONS:	TOLERANCES UNLESS OTHERWISE SPECIFIED:	APVD	NAME	PRODUCT SPEC	
INCHES				APPLICATION SPEC	
	0. PLC ± -			SIZE	CAGE CODE
	1. PLC ± -			A1	00779
	2. PLC ± -			DRAWING NO	1825098
	3. PLC ± .010			WEIGHT	
	4. PLC ± -			CUSTOMER DRAWING	SCALE 4:1
	ANGLES ± °			SHEET 5 OF 5	REV A2

# Mouser Electronics

Authorized Distributor

Click to View Pricing, Inventory, Delivery & Lifecycle Information:

[TE Connectivity:](#)

[1825098-1](#) [TPC11CGPC004](#)