

Customer Information Sheet

DRAWING No.: M20-890XX05

SHEET 2 OF 2

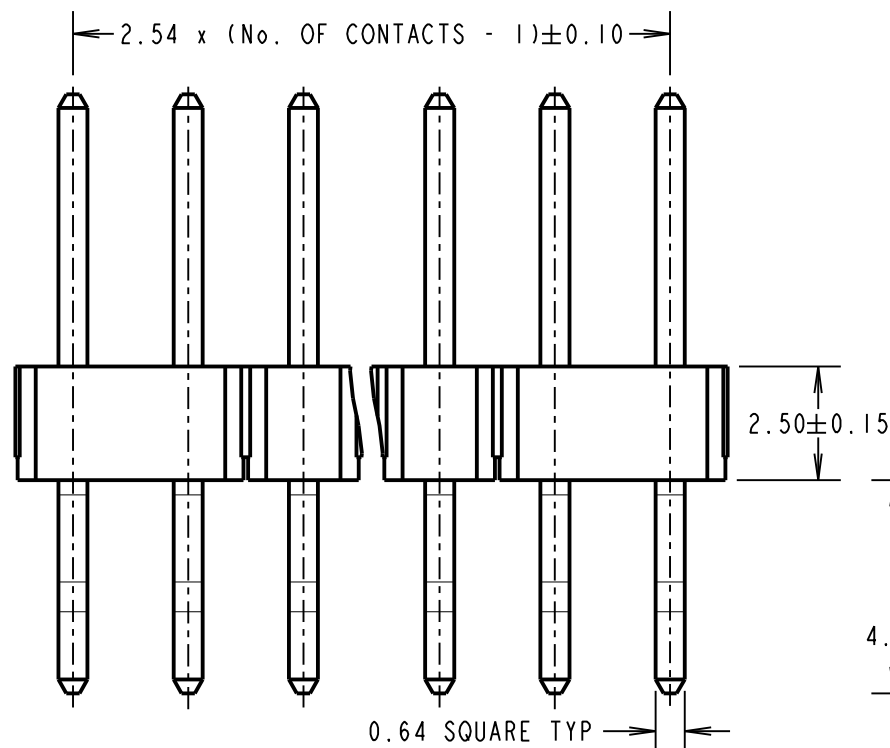
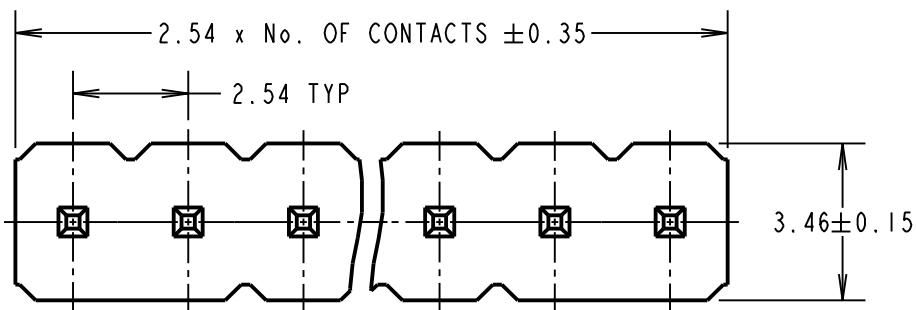
IF IN DOUBT - ASK



NOT TO SCALE

THIRD ANGLE PROJECTION

ALL DIMENSIONS IN mm



NOTES:

- CO-PLANARITY: FLATNESS OF SMT TAILS TO MOULDING DOES NOT EXCEED 0.20mm.
- ALL TOLERANCES ARE ± 0.25 mm, UNLESS OTHERWISE STATED.

Active products:

- M20-8900205
- M20-8900305
- M20-8900405
- M20-8900505
- M20-8900605
- M20-8900705
- M20-8900805
- M20-8900905
- M20-8901105

SPECIFICATION:

MATERIAL:
 MOULDING = PA6T UL94V-0, BLACK
 CONTACT = BRASS

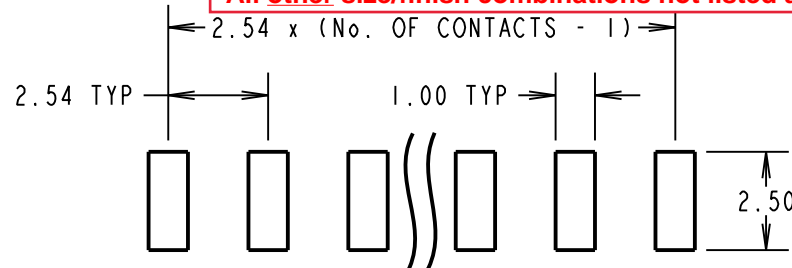
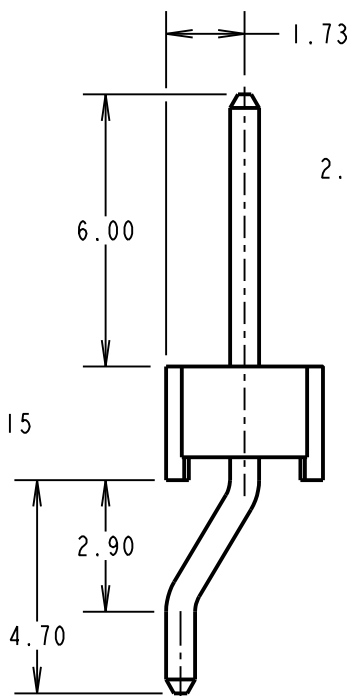
FINISH:
 CONTACT = GOLD FLASH OVER NICKEL

ELECTRICAL:
 CURRENT RATING = 3A
 CONTACT RESISTANCE = 20m Ω MAX
 INSULATION RESISTANCE = 1000M Ω MIN
 DIELECTRIC STRENGTH = 1000V AC FOR ONE MIN

ENVIRONMENTAL:
 TEMPERATURE RANGE = -40°C TO +105°C
 FOR COMPLETE SPECIFICATION, SEE COMPONENT SPECIFICATION COOIXX (LATEST ISSUE)

OBSOLETE

All other size/finish combinations not listed above



RECOMMENDED PAD LAYOUT
 (TOLERANCE = ± 0.05)

ORDER CODE:

M20-890XX05

No. OF CONTACTS: _____
 03 TO 20

WJP	6	01.08.17	20398
NAME	ISS.	DATE	C/NOTE
APPROVED: W. J. PRESTON			
CHECKED: M. PLESTED			
DRAWN: S. BENNETT			
CUSTOMER REF.:			
ASSEMBLY DRG:			

HARWIN

www.harwin.com
 technical@harwin.com

THIS DRAWING AND ANY INFORMATION OR DESCRIPTIVE MATTER SET OUT HEREON ARE CONFIDENTIAL AND COPYRIGHT PROPERTY OF THE HARWIN GROUP AND MUST NOT BE DISCLOSED, LOANED, COPIED OR USED FOR MANUFACTURING, TENDERING OR FOR ANY OTHER PURPOSE WITHOUT THEIR WRITTEN PERMISSION.

TOLERANCES
~~X = ± 1 mm
 X.X = ± 0.50 mm
 X.XX = ± 0.10 mm
 X.XXX = ± 0.01 mm
 ANGLES = $\pm 5^\circ$
 UNLESS STATED~~

MATERIAL:
 SEE ABOVE

FINISH:
 SEE ABOVE

S/AREA: mm²

TITLE:
 2.54mm PITCH SIL HORIZONTAL SMT PIN HEADER ASSEMBLY

DRAWING NUMBER:
M20-890XX05

SHT
 2 OF 2