

THIS DRAWING IS UNPUBLISHED. RELEASED FOR PUBLICATION
 © COPYRIGHT 2006 By - ALL RIGHTS RESERVED.

LOC	DIST	REVISIONS					
GP	00	P	LTR	DESCRIPTION	DATE	DWN	APVD
			C	REV PER ECO-10-020831	15SEPT2011	RG	MS

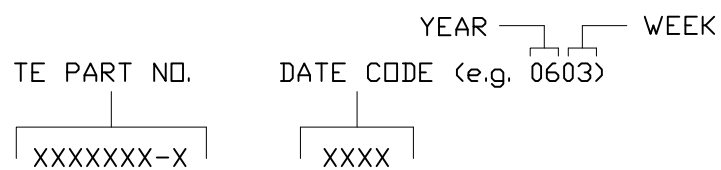
7. MODULE INFORMATION

CONNECTOR	CATALOG MODULE #	QTY	SIZE NO.	CONTACT QTY	MATING PIN	MAX. CURRENT (PER CONTACT)	CONTACT SPACING	VOLTAGE RATING*
SOCKET	FP0100	2	8	8	1.25 X 7.00 [.049 X .276]	35 AMPERES	7.50 [L2953]	250 VOLTS
	FP0301	1	22	24	.64 [L025] SQ.	3 AMPERES	2.50 [L0984]	125 VOLTS
	FP0515	2	ACTIVE STRAIGHT GUIDE PIN					
	FP500	1	LEFT MOUNTING FLANGE					
	FP501	1	RIGHT MOUNTING FLANGE					

- PART NUMBER CHANGES AND OR DESIGN CHANGES AFFECTING ITEM INTERCHANGEABILITY REQUIRE PRIOR TE APPROVAL AND AUTHORIZATION BY REVISION TO THIS DRAWING.
- MATERIALS:
 - INSULATORS: THERMOPLASTIC, GLASS REINFORCED, COLOR BLACK. UL94V-0 FLAMMABILITY RATED.
 - SOLDER SIGNAL PIN: BRASS ALLOY.
 - POWER CONTACTS: PHOSPHOR BRONZE ALLOY, COPPER ALLOY.
 - CROWN BANDS: COPPER ALLOY.
 - GUIDE PIN: BRASS COPPER ALLOY.
- FINISHES:
 - CONTACTS: GOLD PLATE .000030" MIN. THK, OVER NICKEL .000050" MIN. THK.
 - TERMINALS: TIN PLATE, MATTE FINISH .000100" MIN. THK. OVER NICKEL .00005 MIN THK.
 - GUIDE PIN: SILVER PLATE, .000200 MIN THK OVER NICKEL. .000050 MIN THICK..

- ACTIVE GUIDE PINS ACCEPT M3 SCREWS, (USER SUPPLIED).
- MOUNTING FLANGES ACCEPT M3 OR 4-40 SCREWS, (USER SUPPLIED).

6. ITEMS PROVIDED TO THIS SPECIFICATION TO BE PERMANENTLY IDENTIFIED PER THE FOLLOWING IDENTIFIER:

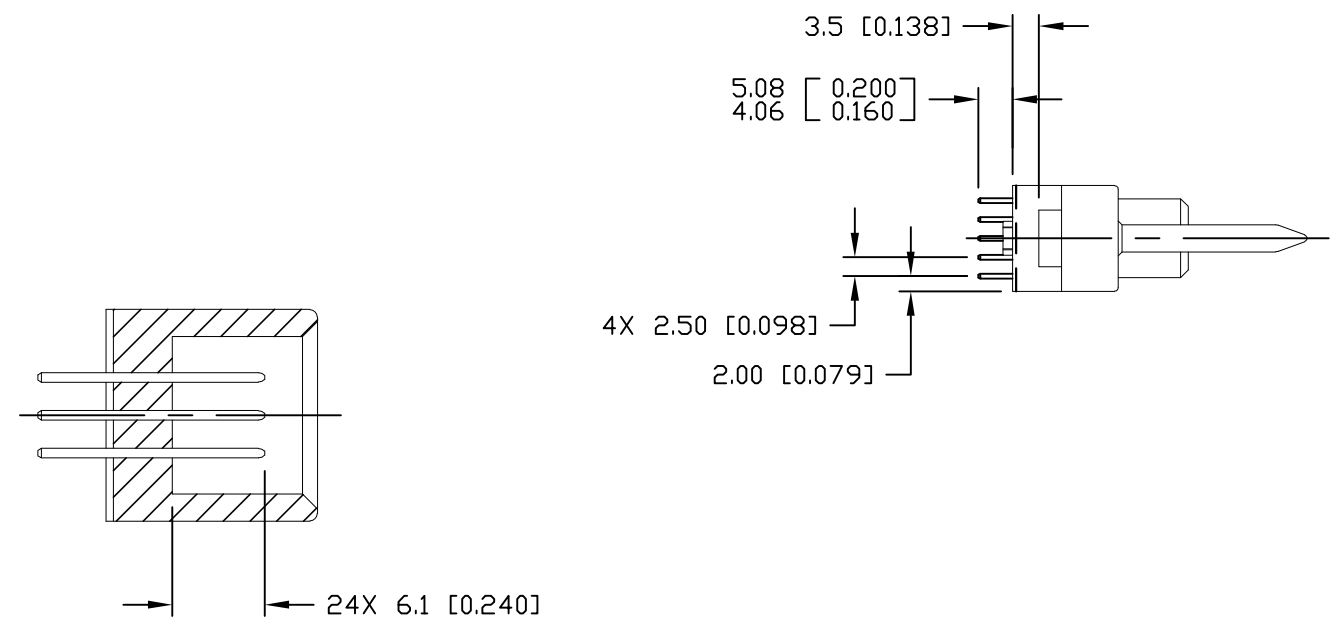


TE PART NUMBER
6646597-1

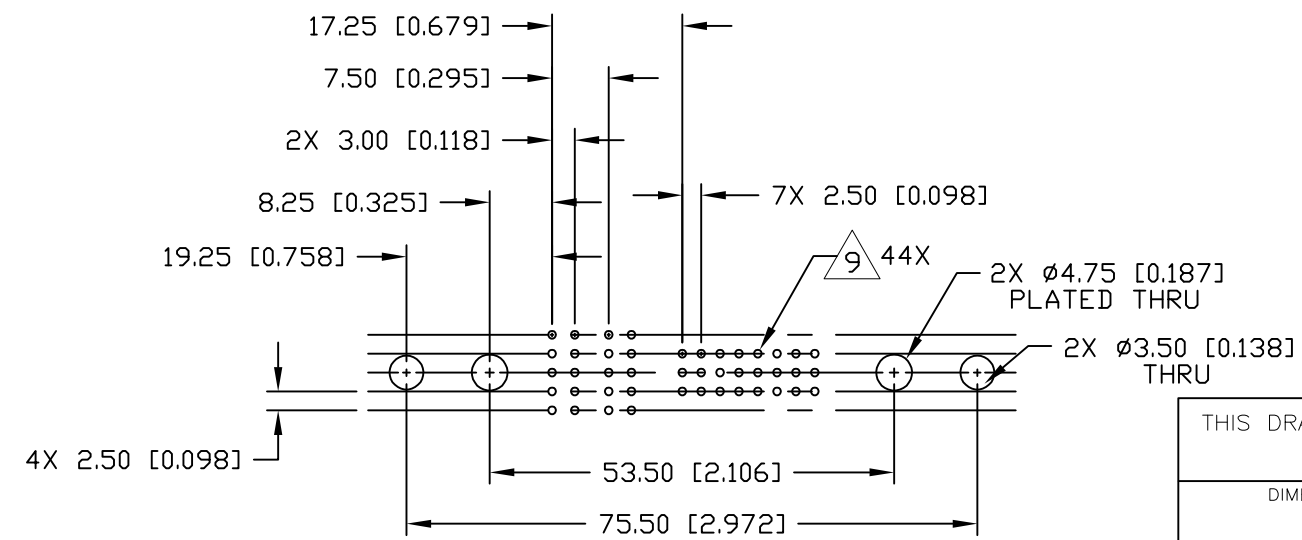
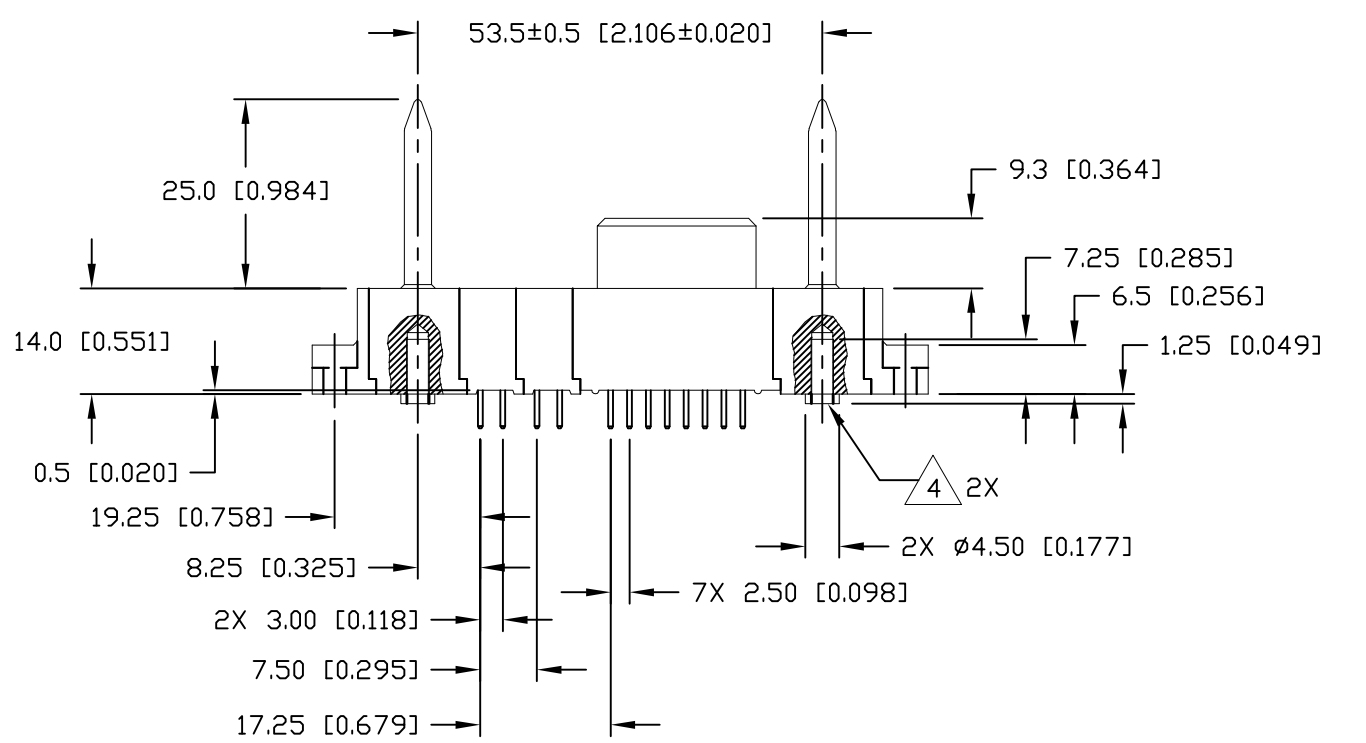
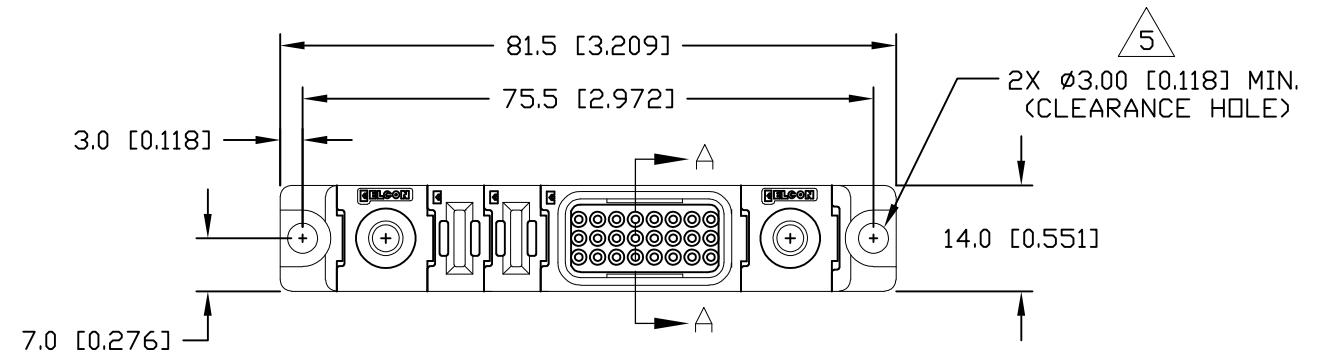
THIS DRAWING IS A CONTROLLED DOCUMENT.		DWN G.PETERS 27DEC2006	TE Connectivity		
DIMENSIONS: mm		CHK S.FLICKINGER 27DEC2006			
TOLERANCES UNLESS OTHERWISE SPECIFIED:		APVD S.FLICKINGER 27DEC2006	NAME SOCKET CONNECTOR, FLATPAQ STRAIGHT, SOLDER TAILS		
0 PLC ± - 1 PLC ± .5 [.020] 2 PLC ± .25 [.010] 3 PLC ± - 4 PLC ± - ANGLES ± .5		PRODUCT SPEC -	APPLICATION SPEC -		
MATERIAL -	FINISH -	WEIGHT -	SIZE A3	CAGE CODE 00779	DRAWING NO C-6646597
CUSTOMER DRAWING			RESTRICTED TO -	SCALE 1:1	SHEET 1 OF 3
			REV C		

THIS DRAWING IS UNPUBLISHED. RELEASED FOR PUBLICATION
 © COPYRIGHT 2006 By - ALL RIGHTS RESERVED.

LOC	DIST	REVISIONS			
P	LTR	DESCRIPTION	DATE	DWN	APVD
GP	00	-	SEE SHEET 1	-	-



SECTION A-A
 GENDER CHANGER NOT SHOWN FOR CLARITY



PRINTED CIRCUIT LAYOUT

THIS DRAWING IS A CONTROLLED DOCUMENT.		DWN G.PETERS 27DEC2006	TE Connectivity	
DIMENSIONS: mm		CHK S.FLICKINGER 27DEC2006		
TOLERANCES UNLESS OTHERWISE SPECIFIED:		APVD S.FLICKINGER 27DEC2006	NAME	
0 PLC ± -		PRODUCT SPEC	SOCKET CONNECTOR, FLATPAQ STRAIGHT, SOLDER TAILS	
1 PLC ± .5 [.020]		APPLICATION SPEC	-	
2 PLC ± .25 [.010]		WEIGHT -	SIZE A3	CAGE CODE 00779
3 PLC ± -		CUSTOMER DRAWING	DRAWING NO C-6646597	RESTRICTED TO -
4 PLC ± -			SCALE 1:1	SHEET 2 OF 3
ANGLES ± .5				REV C
FINISH -				

THIS DRAWING IS UNPUBLISHED.

RELEASED FOR PUBLICATION

LOC

DIST

REVISIONS

© COPYRIGHT 2006 By --

ALL RIGHTS RESERVED.

GP

00

P

LTR

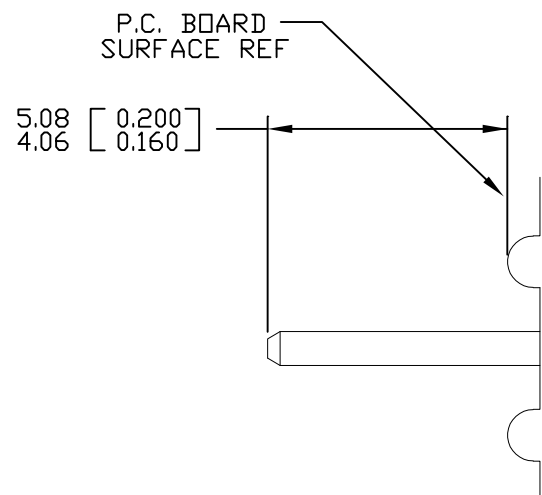
DESCRIPTION

DATE

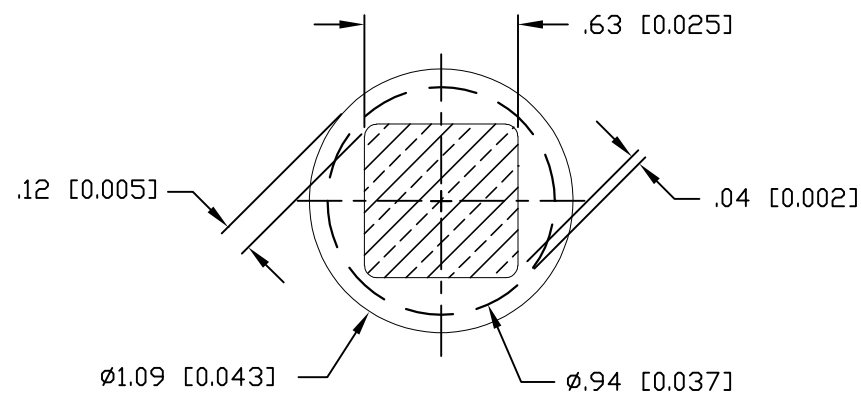
DWN

APVD

SEE SHEET 1



8. SOLDER PIN DETAIL



9 SOLDER TERMINATION AREA

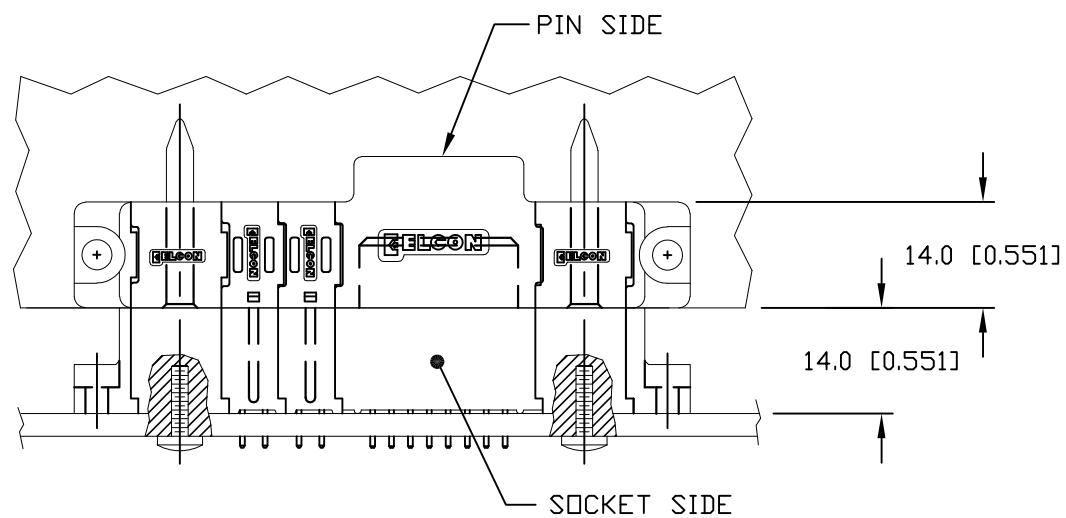
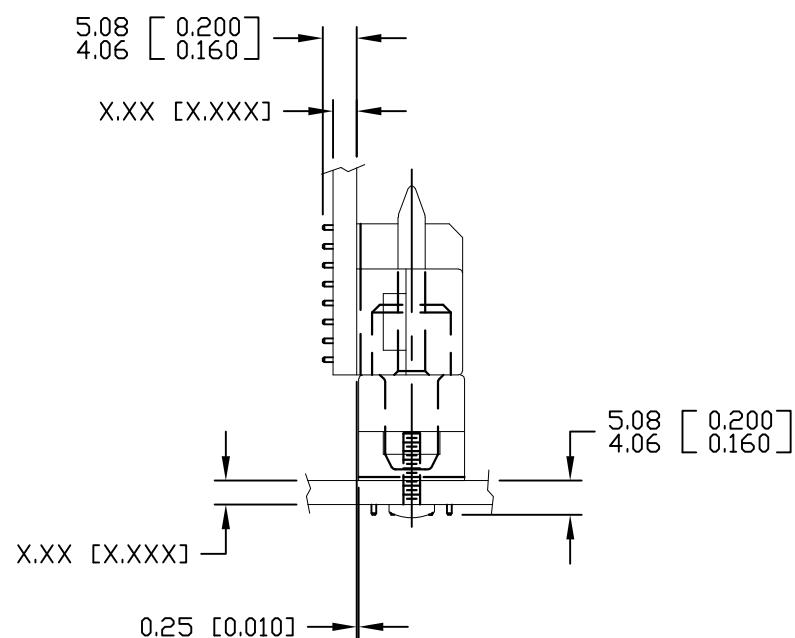
RECOMMENDED PRINTED CIRCUIT HOLE

FINISHED HOLE: $\phi 1.02 [0.040] \pm .08 [0.003]$

DRILLED HOLE: $\phi 1.15 [0.0453] \pm .013 [0.0005]$

COPPER PLATE: .025-.050 [0.001-.002] MINIMUM (PER SURFACE)

TIN PLATE: .0005 [0.00002] MINIMUM (PER SURFACE)

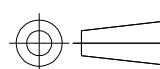


MATED CONDITION
MATES WITH 6648000-1

THIS DRAWING IS A CONTROLLED DOCUMENT.

DIMENSIONS:

mm



TOLERANCES UNLESS OTHERWISE SPECIFIED:

0 PLC	± -
1 PLC	± .5 [.020]
2 PLC	± .25 [.010]
3 PLC	± -
4 PLC	± -
ANGLES	± .5

MATERIAL

FINISH

DWN G.PETERS 27DEC2006

CHK S.FLICKINGER 27DEC2006

APVD S.FLICKINGER 27DEC2006

PRODUCT SPEC

APPLICATION SPEC

WEIGHT -

CUSTOMER DRAWING



NAME SOCKET CONNECTOR, FLATPAQ STRAIGHT, SOLDER TAILS

SIZE	CAGE CODE	DRAWING NO	RESTRICTED TO
A3	00779	C-6646597	-

SCALE 1:1 SHEET 3 OF 3 REV C

Mouser Electronics

Authorized Distributor

Click to View Pricing, Inventory, Delivery & Lifecycle Information:

[TE Connectivity:](#)

[6646597-1](#)