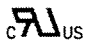


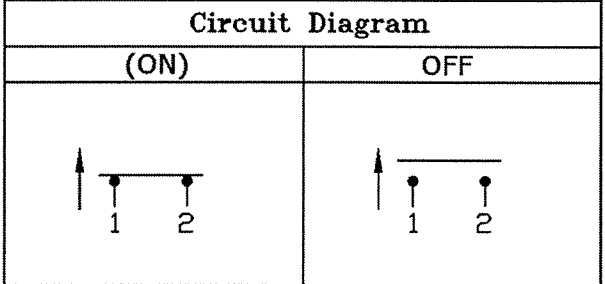
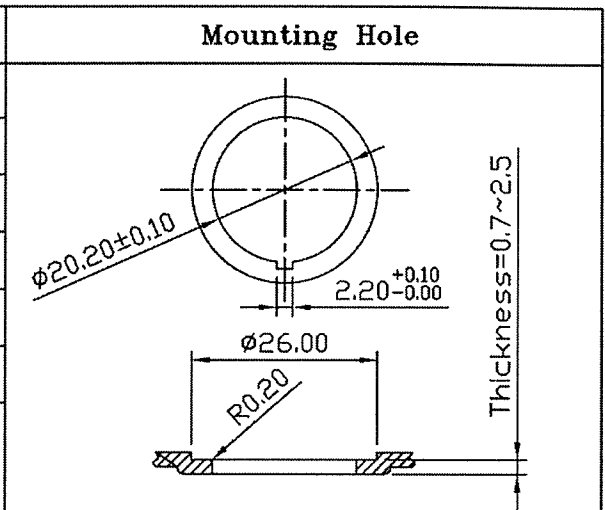
THIS INFORMATION IS CONFIDENTIAL AND PROPRIETARY TO CW INDUSTRIES INCORPORATED AND ITS AFFILIATES. IT MAY NOT BE DISCLOSED TO ANYONE, OTHER THAN CW INDUSTRIES PERSONNEL, WITHOUT WRITTEN AUTHORIZATION FROM CW INDUSTRIES INCORPORATED, SOUTHAMPTON, PENNSYLVANIA USA.

Rating	10A 125V, 6A 250V AC 1/2HP 125/250VAC	
	20A 14VDC	
Contact Resistance	50m ohm Max.	
Insulation Resistance	DC 500V 100M ohm Min.	
Dielectric Strength	AC 1500V 1 minute	
Operation Temperature	-25°C ~ 85°C	
Switch Function	2P SPST (ON)-OFF	

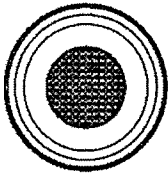
( ) = Momentary Function

**MATERIAL:**

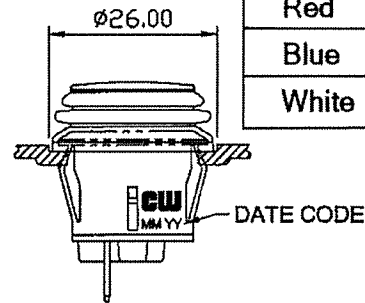
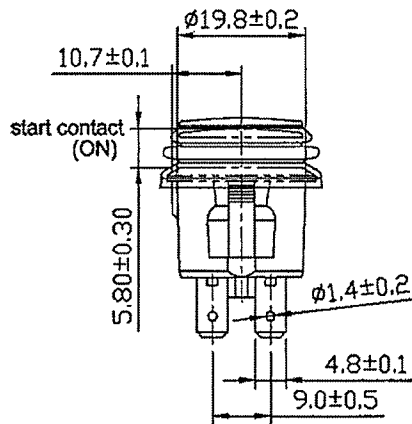
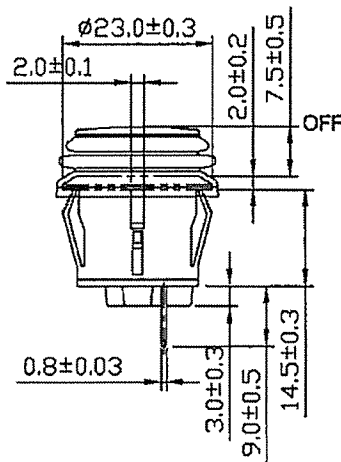
- Frame: Black, Nylon 66 (94-V2)
- Actuator: PC Clear (94-V2), For Color Ref. "X" in Actuator Color Chart and CW P/N.
- Terminals: Silver plated, Copper alloy
- Waterproof Rubber: Black, Silicone
- Printed: None
- Waterproof: IP65



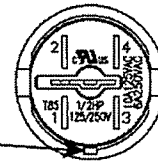
Full travel: 4.5mm



ACTUATOR COLOR	X
Amber	A
Black	B
Green	G
Red	R
Blue	U
White	W



**Orientation Key**



RoHS Compliant

**CW INDUSTRIES**  
Southampton, Pa. 18966  
Tel 215.355.7080/www.cwind.com

Date Drawn: 6-27-2012

Rev. 0

Unit: mm

Checked By: *G. Gold*

Title: PUSH BUTTON SWITCH

CW P/N: GPB527C202BX