

**PLEASE CHECK WWW.MOLEX.COM FOR LATEST PART INFORMATION**

**Part Number:** [0350689822](#)  
**Status:** **Active**  
**Overview:** Standard Quick-Disconnect Terminals  
**Description:** MP-Lock Quick Disconnect, Female, for 16-20 AWG (1.31-0.52mm<sup>2</sup>), Metal Strip, Tab 4.75 x 0.80mm, Pre-Tin Plated

**Documents:**

[Drawing \(PDF\)](#) [RoHS Certificate of Compliance \(PDF\)](#)  
[Packaging Specification PK-35068-001-001 \(PDF\)](#)

**Agency Certification**

UL E92853

**General**

Product Family Quick Disconnects  
 Series [35068](#)  
 Crimp Quality Equipment Yes  
 Insulated No  
 Overview [Standard Quick-Disconnect Terminals](#)  
 Product Name MP-Lock  
 Type Quick Disconnect  
 UPC 800754375122

**Physical**

Barrel Type Open  
 Gender Female  
 Glow-Wire Capable No  
 Insulation None  
 Lock to Mating Part Yes  
 Material - Metal Brass  
 Material - Plating Mating Tin  
 Material - Plating Termination Tin  
 Net Weight 0.400/g  
 Orientation Straight  
 Packaging Type Reel  
 Plating min - Mating 0.813µm  
 Plating min - Termination 0.813µm  
 Polarized to Mating Part Yes  
 Tab Thickness 0.81mm  
 Tab Width 4.75mm  
 Temperature Range - Operating -40° to +105°C  
 Termination Interface: Style Crimp or Compression  
 Wire Insulation Diameter 3.40mm max.  
 Wire Size AWG 16, 18, 20  
 Wire Size mm<sup>2</sup> 0.50-1.30

**Electrical**

Voltage - Maximum 300V

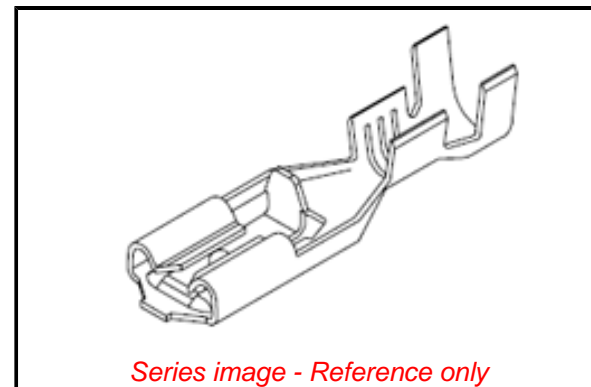
**Solder Process Data**

Lead-free Process Capability N/A

**Material Info**

**Reference - Drawing Numbers**

Packaging Specification PK-35068-001-001  
 Sales Drawing SD-35068-982



Series image - Reference only

**EU ELV**

**Not Relevant**

**EU RoHS**

**Compliant**

**REACH SVHC**

Not Contained Per - ED/61/2018 (27 June 2018)

**Halogen-Free**

**Status**

**Low-Halogen**

**Need more information on product environmental compliance?**

Email [productcompliance@molex.com](mailto:productcompliance@molex.com)  
 Please visit the [Contact Us](#) section for any non-product compliance questions.

China ROHS

ELV

Prop65

RoHS Phthalates

Green Image

Not Relevant

Compliant

Not Contained

**Search Parts in this Series**

[35068 Series](#)

**Use With**

[35189](#) , [35817](#) , [35961](#)

This document was generated on 09/10/2018

**PLEASE CHECK [WWW.MOLEX.COM](http://WWW.MOLEX.COM) FOR LATEST PART INFORMATION**

# Mouser Electronics

Authorized Distributor

Click to View Pricing, Inventory, Delivery & Lifecycle Information:

[Molex:](#)

[35068-9822](#)