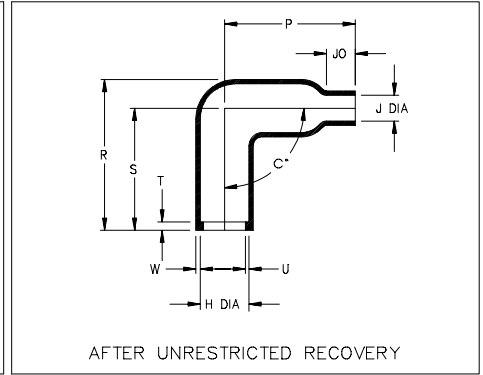
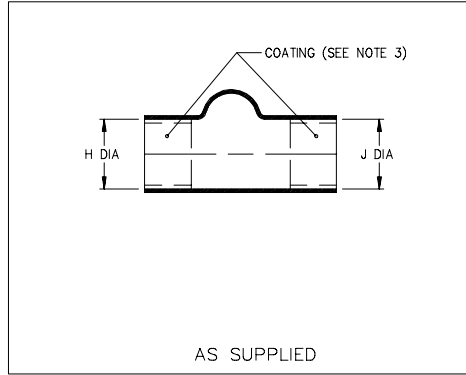


Thermofit[®] Molded Parts Specification Control Drawing

Part Number : 222B112 & 222B123
Description : Boot, 90°, With Lip

NOTES

- All dimensions are in $\frac{\text{inches}}{[\text{millimeters}]}$
- Dimensions appearing in table are as follows:
 - a - As Supplied
 - b - After Unrestricted Recovery
- Coating is optional. As supplied dimensions appearing in table are for uncoated parts. When coating is added, entry diameters will be reduced by .06 max.



PART NUMBER	H		J		±10% b	R Ref b	±10% b	±10% b	±10% b	±10% b	±20% b	±5% b
	Min	Max	Min	Max								
	a	b	a	b								
222B112	1.00 [25,4]	.70 [17,8]	1.00 [25,4]	.37 [9,4]	1.87 [47,5]	1.75 [44,4]	1.24 [31,5]	.12 [3,0]	.05 [1,3]	.42 [10,6]	.06 [1,5]	90°
222B123	1.50 [38,1]	.95 [24,1]	1.50 [38,1]	.49 [12,4]	2.00 [50,8]	1.98 [50,3]	1.60 [40,6]	.12 [3,0]	.05 [1,3]	.42 [10,6]	.06 [1,5]	90°

Raychem

RAYCHEM CORPORATION
300 CONSTITUTION DRIVE
MENLO PARK, CALIFORNIA 94025

Revision : B
Date : 2/2/95

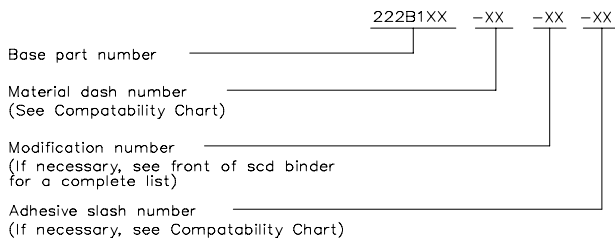
Part Number : 222B112 & 222B123
Description : Boot, 90°, With Lip

Thermofit[®] Molded Parts Specification Control Drawing

Part Number : 222B112 & 222B123
Description : Boot, 90°, With Lip

COMPATABILITY CHART					
MATERIAL DASH NO.	MATERIAL DESCRIPTION	RT SPEC	COATING SLASH NO.	COATING S NO.	COATING DESCRIPTION
-3	Polyolefin, Semi-rigid	RT-301	/42	S-1017	Adhesive
-25	Elastomer, Fluid Resistant	RT-1325			

ORDERING INFORMATION



THIS DRAWING IS SUBJECT TO CHANGE WITHOUT NOTICE; CONSULT YOUR
NEAREST FIELD REPRESENTATIVE FOR CURRENT REVISION

If this document is printed it becomes uncontrolled.
Check for the latest revision.

Raychem

RAYCHEM CORPORATION
300 CONSTITUTION DRIVE
MENLO PARK, CALIFORNIA 94025

Revision : B
Date : 2/2/95

Part Number : 222B112 & 222B123
Description : Boot, 90°, With Lip

CAD FILE MP95038

Mouser Electronics

Authorized Distributor

Click to View Pricing, Inventory, Delivery & Lifecycle Information:

[TE Connectivity:](#)

[222B112-3/42-0](#)