

PART NAME

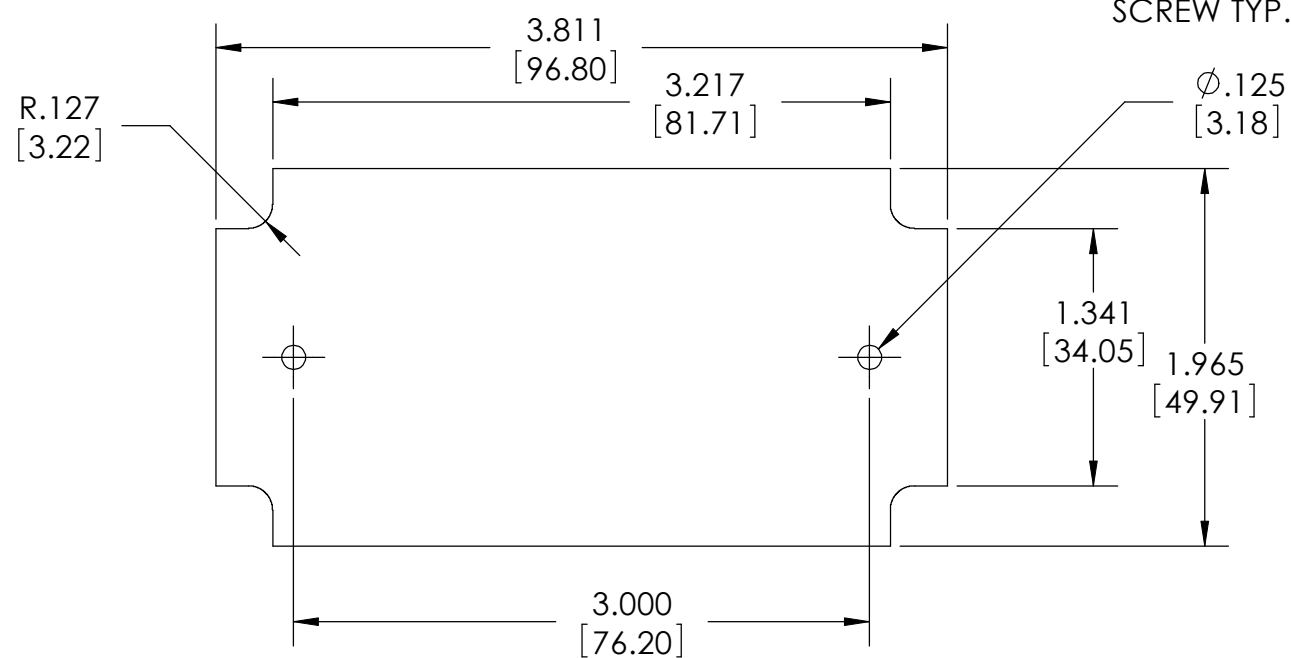
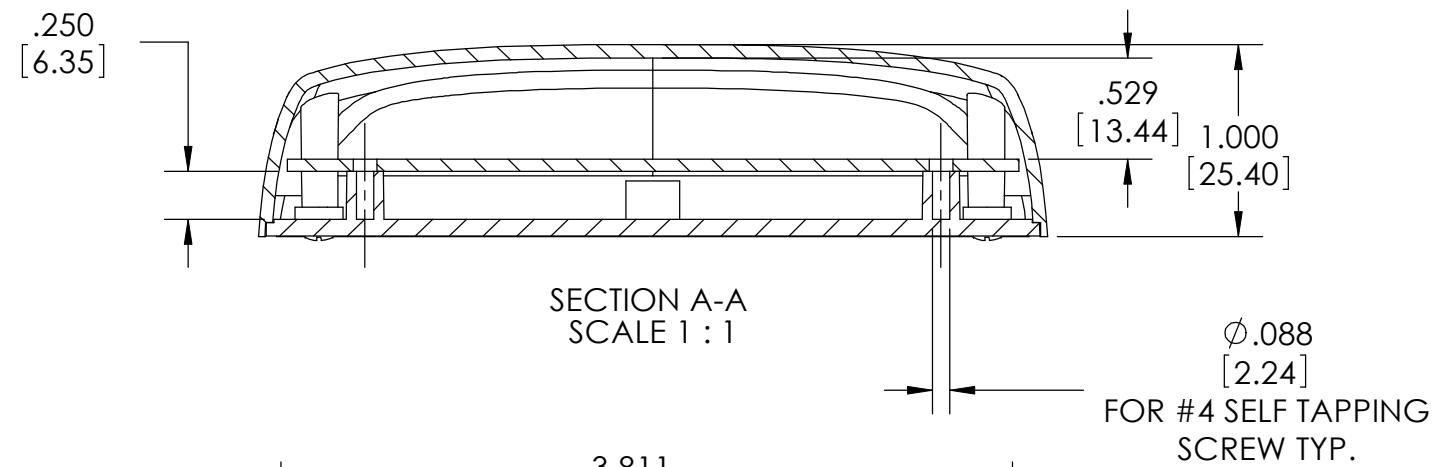
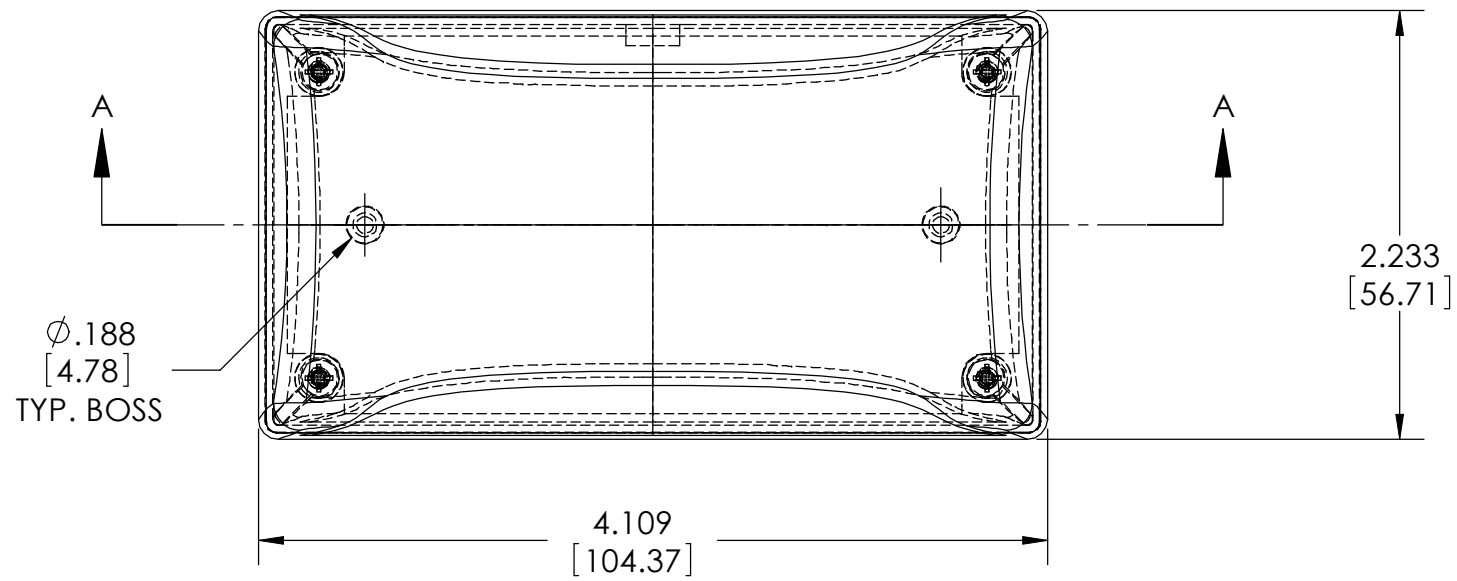
PLASTIBOX - STYLE M

PART No.

PT-11852-PMB

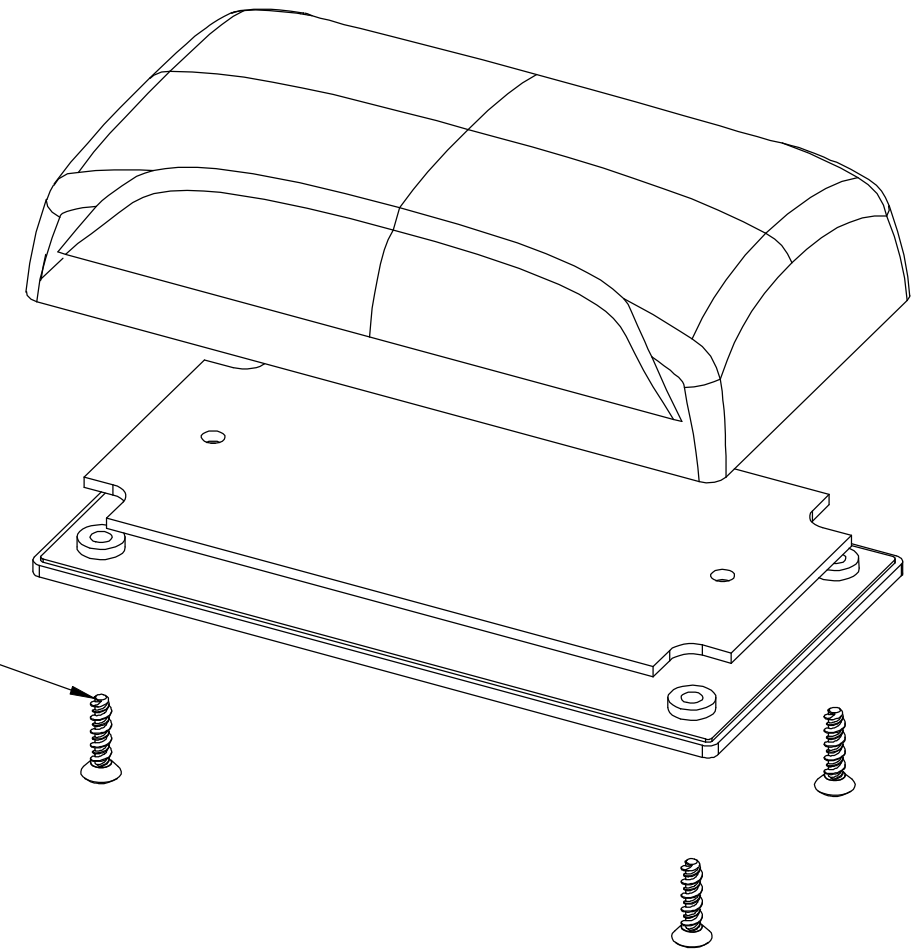
REVISION DATE

3-30-09



RECOMMENDED PC BOARD NOT FURNISHED

(4) SCREWS FURNISHED



MATERIAL:
ABS, BLACK, UL94V0
MAR RESISTANT TEXTURED SURFACE

Mouser Electronics

Authorized Distributor

Click to View Pricing, Inventory, Delivery & Lifecycle Information:

[Bud Industries:](#)

[PT-11852-PMB](#)