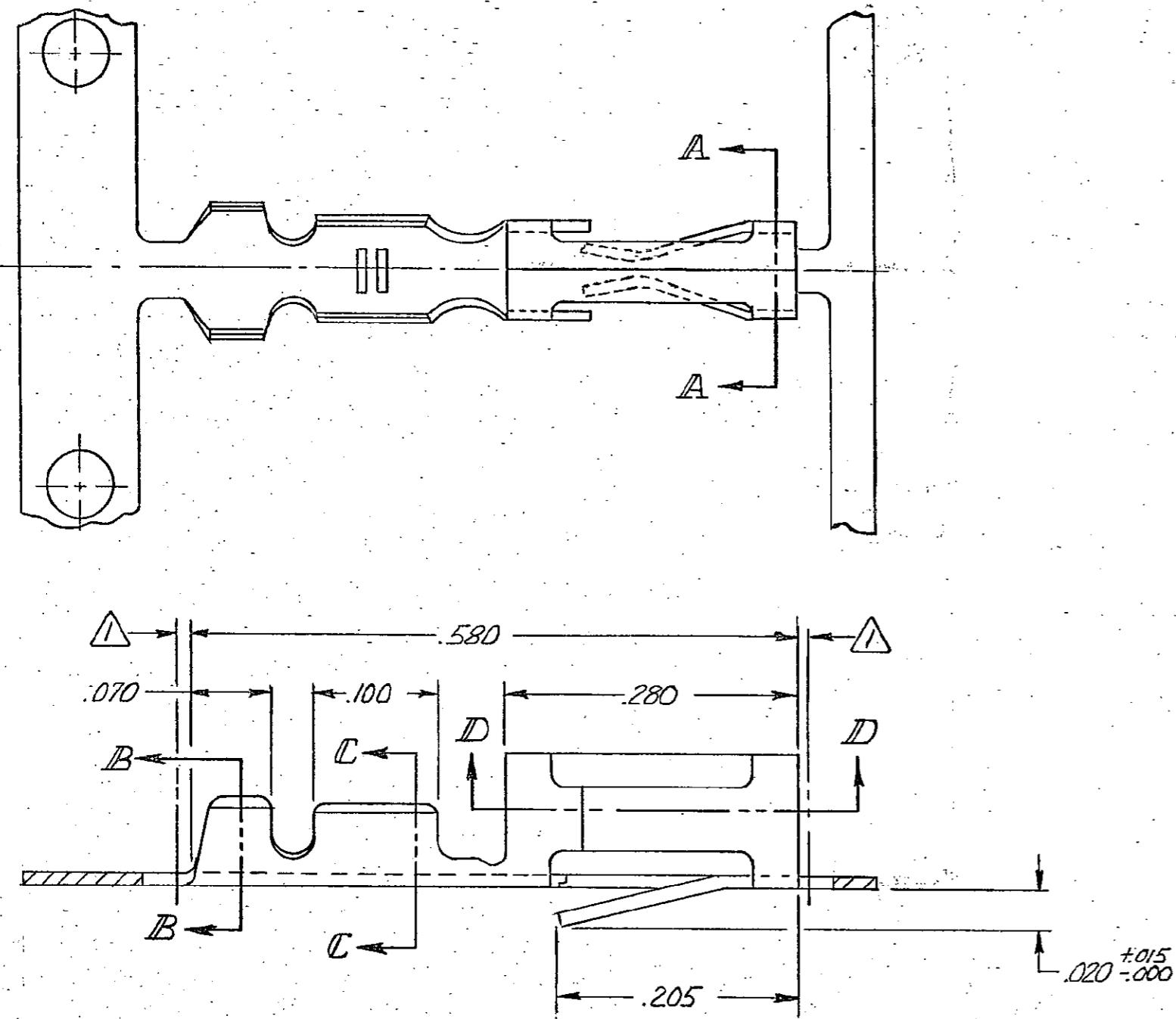
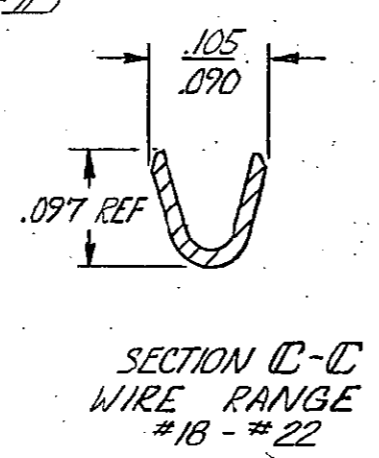
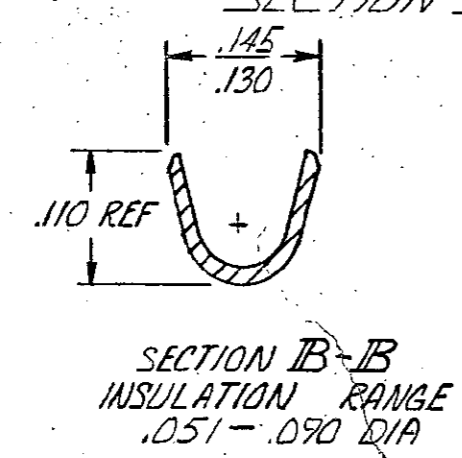
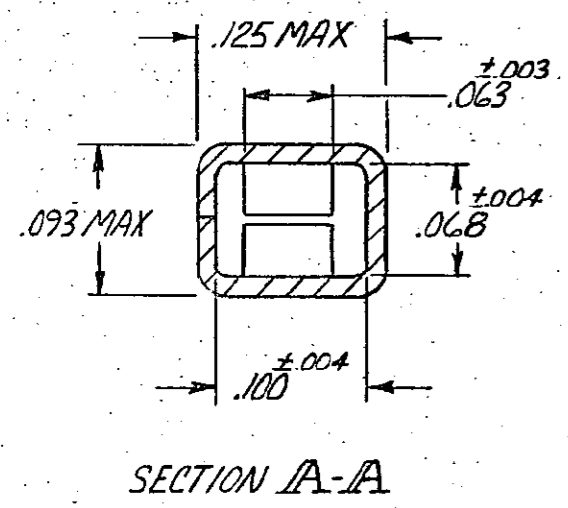
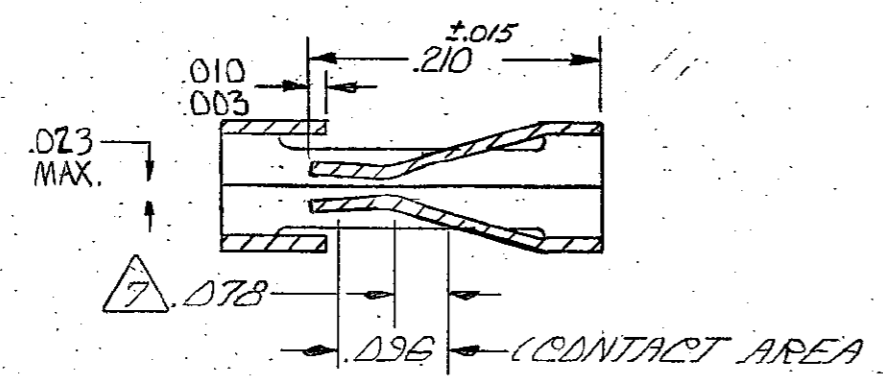
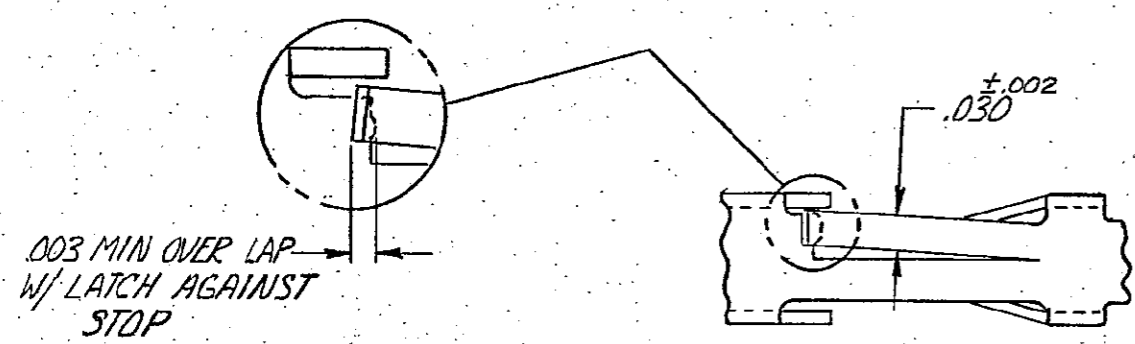


© COPYRIGHT

REVISIONS						
P	F	ZONE	LTR	DESCRIPTION	DATE	APPROVED
			K1	REVISED PER ECO-11-005294	06APR11	HMR



- ① .010 MAX CUT-OFF TAB FOR LOOSE PIECE.
- ② GOLD FLASH OVER .000050 NICKEL ENTIRE CONTACT, .000015 GOLD ON CONTACT AREA
- ③ GOLD FLASH OVER .000050 NICKEL ENTIRE CONTACT .000030 GOLD ON CONTACT AREA.
- ④ .000016 MIN TIN.
- ⑤ LUBRICATED
- ⑥ .000100-.000200 BRIGHT TIN OVER .000030 NICKEL.
- ⑦ POINT OF MEASUREMENT FOR PLATING THICKNESS.
- ⑧ .000015 GOLD ON CONTACT AREA, .000050-.000100 BRIGHT TIN-LEAD ON TERMINATION AREA, ALL OVER .000050 NICKEL ENTIRE TERMINAL.
- ⑨ .000030 GOLD ON CONTACT AREA, .000050-.000100 BRIGHT TIN-LEAD ON TERMINATION AREA, ALL OVER .000050 NICKEL ENTIRE TERMINAL.
- ⑩ OBSOLETE PART NUMBER.



⑨	⑩	102104-6	102100-9/10		
⑧	⑩	102104-5	102100-8/10		
⑥	⑤	⑩	102104-4	⑩	102100-6
④	⑤	102104-3	102100-5		
③		102104-2	102100-2		
	②	102104-1	102100-1		
FINISH	LOOSE PIECE P/N	PART NO			

UNLESS OTHERWISE SPECIFIED DIMENSIONS ARE IN INCHES. TOLERANCES ON: DECIMALS ±.005 ANGLES ±	CONTRACT NO	TE Connectivity		
	DR R. Bedwin 4/12/78			NAME
	MATERIAL PHOS. BRONZE	CHK B. White 4-27-78	CONTACT, MOD I, RECEPTACLE, CRIMP SNAP-IN, HIGH PRESSURE, #18 - # 22AWG, SIDE FEED	
	FINISH SEE TABLE	APPD J. Zimmerman 4/28/78 APPD R. Smith 5/1/78	DSGN APPD	OTHER APPD
SIZE CODE IDENT NO DRAWING NO <b>C</b> 00779 102100		SCALE	SHEET	

CUSTOMER DRAWING

# Mouser Electronics

Authorized Distributor

Click to View Pricing, Inventory, Delivery & Lifecycle Information:

[TE Connectivity:](#)

[102104-1](#)