

4

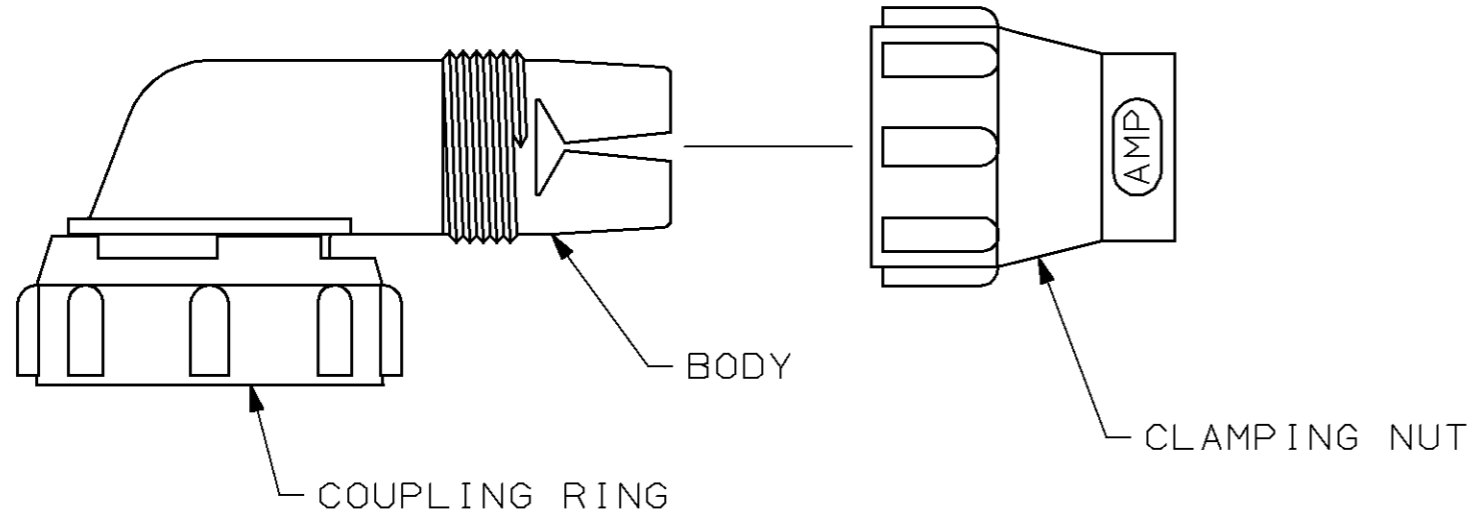
3

2

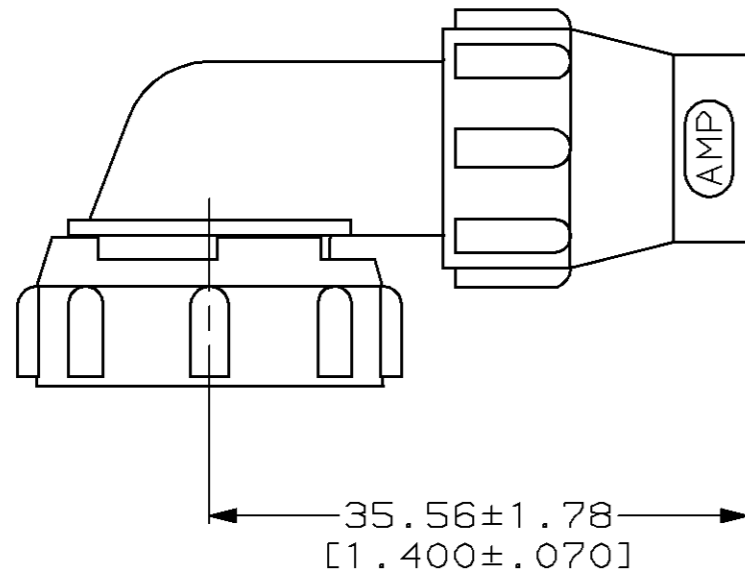
1

THIS DRAWING IS UNPUBLISHED. RELEASED FOR PUBLICATION ,19 .  
© COPYRIGHT 19 BY AMP INCORPORATED. ALL RIGHTS RESERVED.

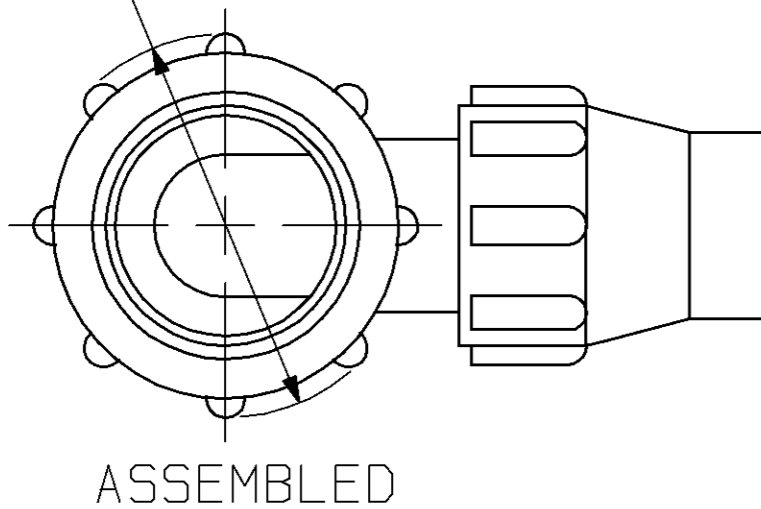
LOC	DIST	REVISIONS				
P	LTR	DESCRIPTION	DATE	DWN	APVD	
FT	4	0	RLSE PER NPR 5708 WAS 98-4998-4	22 SEP 98	-	-



- ① COUPLING RING, BODY AND CLAMPING NUT POLYESTER, BLACK.
- 2. MAX OUTSIDE CABLE DIAMETER 9.14 [0.360].
- 3. CLAMPING RANGE DIA 9.14 - 8.20 [0.360 - 0.323].



∅26.04 MAX [1.025]



213982-1  
PART NUMBER

THIS DRAWING IS A CONTROLLED DOCUMENT.		DWN C. OBERMAN 22 SEP 98	<b>AMP</b> AMP Incorporated Harrisburg, PA 17105-3608												
		CHK K. DOWHOWER 23 SEP 98													
DIMENSIONS: mm [INCHES]		APVD K. DOWHOWER 23 SEP 98	NAME												
TOLERANCES UNLESS OTHERWISE SPECIFIED:		PRODUCT SPEC	KIT, STRAIN RELIEF, RIGHT ANGLE, UNASSEMBLED, SIZE 13, CPC												
<table border="0"> <tr><td>0 PLC</td><td>±-</td></tr> <tr><td>1 PLC</td><td>±-</td></tr> <tr><td>2 PLC</td><td>±-</td></tr> <tr><td>3 PLC</td><td>±-</td></tr> <tr><td>4 PLC</td><td>±-</td></tr> <tr><td>ANGLES</td><td>±-</td></tr> </table>		0 PLC	±-	1 PLC	±-	2 PLC	±-	3 PLC	±-	4 PLC	±-	ANGLES	±-	APPLICATION SPEC	SIZE
0 PLC	±-														
1 PLC	±-														
2 PLC	±-														
3 PLC	±-														
4 PLC	±-														
ANGLES	±-														
MATERIAL	FINISH	WEIGHT	CAGE CODE												
①	-	-	DRAWING NO												
		A300779 C- 213982													
		RESTRICTED TO													
		-													
		CUSTOMER DRAWING													
		SCALE	SHEET												
		2:1	1 OF 1												
			REV												
			0												

# Mouser Electronics

Authorized Distributor

Click to View Pricing, Inventory, Delivery & Lifecycle Information:

[TE Connectivity:](#)

[213982-1](#)