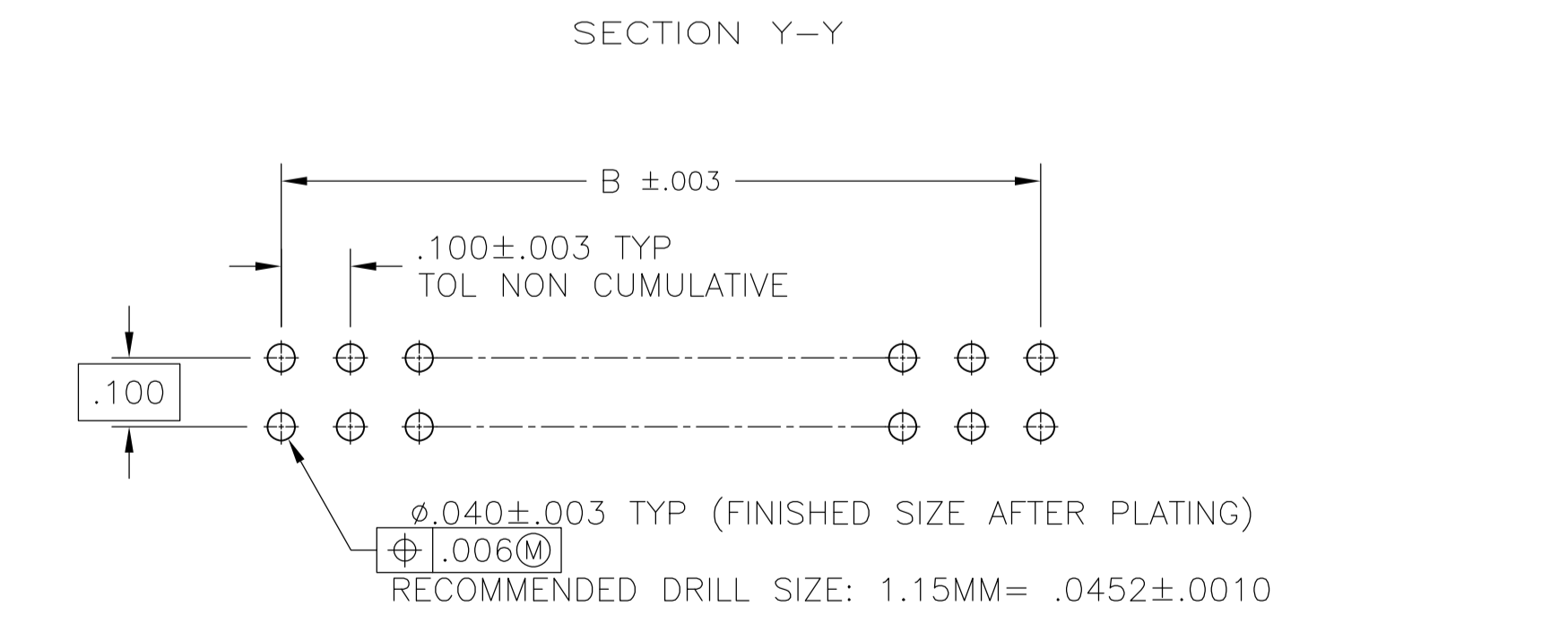


LOC		DIST		REVISIONS			
F	LTR	PER	ECO	DATE	DN	APVD	
LS	REVISED	PER	ECO-13-015097	25SEP2013	KH	JO	



- 1 POINT OF MEASUREMENT FOR PLATING THICKNESS.
- 2 FINISH OVER INDICATED AREA: .000030 GOLD OVER .000050 NICKEL.
- 3 FINISH OVER INDICATED AREA: .000100-.000200 BRIGHT TIN LEAD OVER .000050 NICKEL.
- 4 RECESSED DATE CODE AND LOGO.
- 5 OBSOLETE PART NUMBER.
- 6 PRELIMINARY PART - NOT RELEASED FOR PRODUCTION
- 7 FINISH OVER INDICATED AREA: .000100-.000200 MATTE TIN OVER .000050 NICKEL.
- 8 ROHS 2002/95/EC COMPLIANT
- 9 OBSOLETE PARTS: OBSOLETE CIS STREAMLINING PER D.RENAUD/D.SINISI

NO. OF POSN	A	B	C ± .010	D	E	NO. OF POSN	PART NUMBER
12	26	12	1.600	1.200	1.570	12	7-102692-9
79	160	79	8.300	7.900	8.270	79	7-102692-8
46	94	46	5.000	4.600	4.970	94	7-102692-7
21	44	21	2.500	2.100	2.470	44	7-102692-6
6	14	6	1.000	.600	.970	14	7-102692-5
89	180	89	9.300	8.900	9.270	180	7-102692-4
73	148	73	7.700	7.300	7.670	148	7-102692-3
63	128	63	6.700	6.300	6.670	128	7-102692-2
69	140	69	7.300	6.900	7.270	140	7-102692-1
64	130	64	6.800	6.400	6.770	130	7-102692-0
42	86	42	4.600	4.200	4.570	86	6-102692-9
35	72	35	3.900	3.500	3.870	72	6-102692-8
14	30	14	1.800	1.400	1.770	30	6-102692-7
9	20	9	1.300	.900	1.270	20	6-102692-6
7	16	7	1.100	.700	1.070	16	6-102692-5
34	70	34	3.800	3.400	3.770	70	6-102692-4
19	40	19	2.300	1.900	2.270	40	6-102692-3
44	90	44	4.800	4.400	4.770	90	6-102692-2
99	200	99	10.300	9.900	10.270	200	6-102692-1
54	110	54	5.800	5.400	5.770	110	6-102692-0
59	120	59	6.300	5.900	6.270	120	5-102692-9
49	100	49	5.300	4.900	5.270	100	5-102692-8
47	96	47	5.100	4.700	5.070	96	5-102692-7
39	80	39	4.300	3.900	4.270	80	5-102692-6
29	60	29	3.300	2.900	3.270	60	5-102692-5
24	50	24	2.800	2.400	2.770	50	5-102692-4
17	36	17	2.100	1.700	2.070	36	5-102692-3
11	24	11	1.500	1.100	1.470	24	5-102692-2
5	12	5	.900	.500	.870	12	5-102692-1
12	26	12	1.600	1.200	1.570	12	2-102692-9
79	160	79	8.300	7.900	8.270	160	2-102692-8
46	94	46	5.000	4.600	4.970	94	2-102692-7
21	44	21	2.500	2.100	2.470	44	2-102692-6
6	14	6	1.000	.600	.970	14	2-102692-5
89	180	89	9.300	8.900	9.270	180	2-102692-4
73	148	73	7.700	7.300	7.670	148	2-102692-3
63	128	63	6.700	6.300	6.670	128	2-102692-2
69	140	69	7.300	6.900	7.270	140	2-102692-1
64	130	64	6.800	6.400	6.770	130	2-102692-0
42	86	42	4.600	4.200	4.570	86	1-102692-9
35	72	35	3.900	3.500	3.870	72	1-102692-8
14	30	14	1.800	1.400	1.770	30	1-102692-7
9	20	9	1.300	.900	1.270	20	1-102692-6
7	16	7	1.100	.700	1.070	16	1-102692-5
34	70	34	3.800	3.400	3.770	70	1-102692-4
19	40	19	2.300	1.900	2.270	40	1-102692-3
44	90	44	4.800	4.400	4.770	90	1-102692-2
99	200	99	10.300	9.900	10.270	200	1-102692-1
54	110	54	5.800	5.400	5.770	110	1-102692-0
59	120	59	6.300	5.900	6.270	120	102692-9
49	100	49	5.300	4.900	5.270	100	102692-8
47	96	47	5.100	4.700	5.070	96	102692-7
39	80	39	4.300	3.900	4.270	80	102692-6
29	60	29	3.300	2.900	3.270	60	102692-5
24	50	24	2.800	2.400	2.770	50	102692-4
17	36	17	2.100	1.700	2.070	36	102692-3
11	24	11	1.500	1.100	1.470	24	102692-2
5	12	5	.900	.500	.870	12	102692-1

THIS DRAWING IS A CONTROLLED DOCUMENT.

STE TE Connectivity

HEADER ASSEMBLY, MOD II, .100C.100CL, .025 SQ POSTS

APVD: J. GESFORD 12NOV98

DATE: 11JAN01

BY: B. HAYMAKER 12NOV98

CHK: J. GESFORD 12NOV98

NAME: J. GESFORD

PRODUCT SPEC: -

APPLICATION SPEC: -

SIZE: A1

SCALE: 4:1

SHEET: 1 of 1

REV: 15

CUSTOMER DRAWING

WEIGHT: -

00779

102692

RESTRICTED TO: -

Mouser Electronics

Authorized Distributor

Click to View Pricing, Inventory, Delivery & Lifecycle Information:

[TE Connectivity:](#)

[1-102692-5](#)