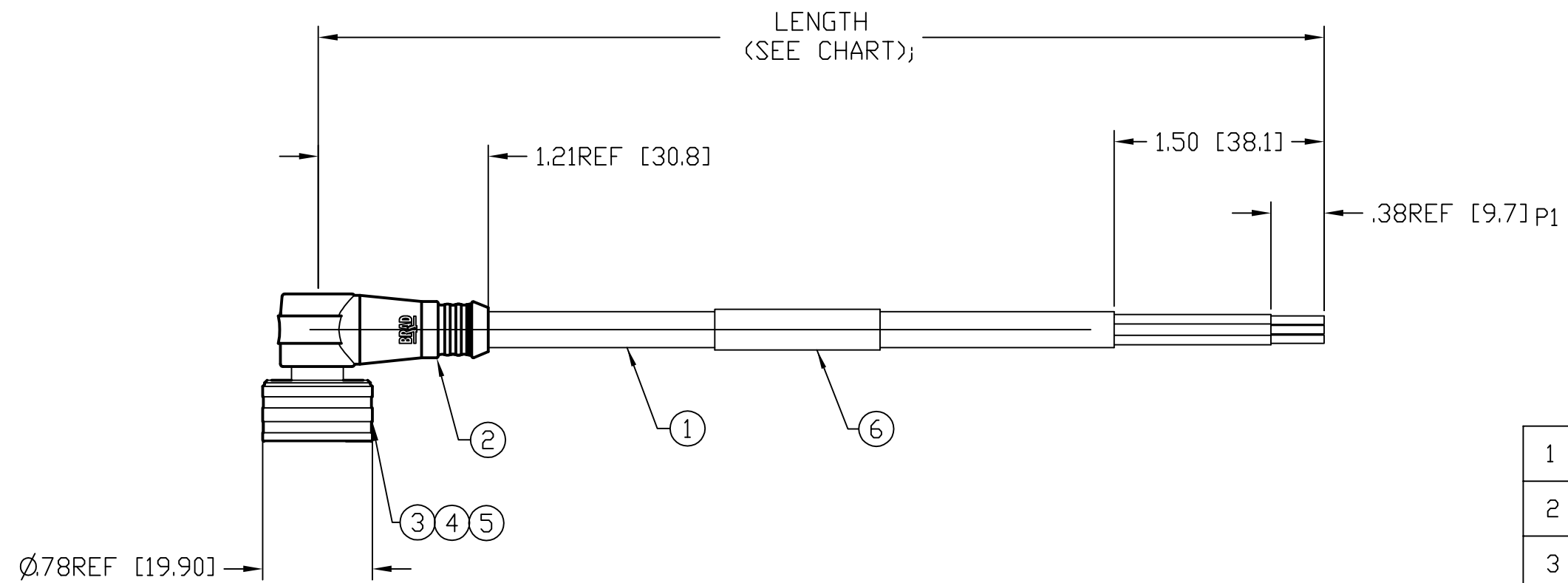
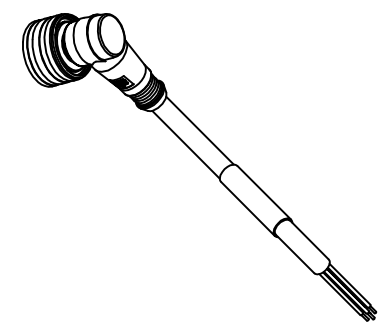


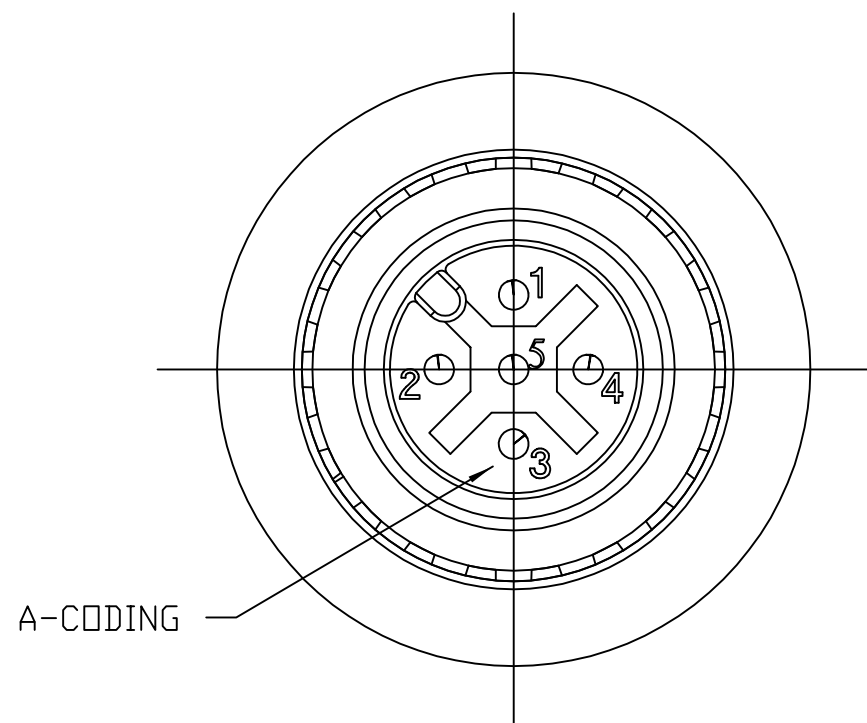
PART NUMBER	ENGINEERING NO.	LENGTH
1200790239	W05007A09M020	6' 6" +3.5" - 0 [2M +90MM - 0]
1200790238	W05007A09M040	13' 1" +6" - 0 [4M +150MM - 0]
1200790246	W05007A09M050	16' 4" +6" - 0 [5M +150MM - 0]
1200790247	W05007A09M060	19' 7" +6" - 0 [6M +150MM - 0]
1200790248	W05007A09M100	32' 4" +12" - 0 [10M +300MM - 0]



1	BROWN
2	WHITE
3	BLUE
4	BLACK
5	GRAY

NOTES:

- 1) MATERIAL: SEE TABLE
- 2) FINISHES: SEE TABLE
- 3) WRAP LABEL IS MARKED WITH P/N, DATE CODE, VOLTAGE & AMPERAGE.
- 4) MATES WITH: MICRO CHANGE, 5 POLE RECEPTACLE
- 5) ELECTRICAL DATA:
 INLINE CORDSET
 MALE A-CODING WITH FLYING LEADS
 22AWG UNSHIELDED
 POLES: 5
 MAX. VOLTAGE: 250V
 MAX. CURRENT 4A
 CONTACT RESISTANCE: <5M Ωhm
 PROTECTION IP67/68/69K
 TEMPERATURE RANGE:-25°C TO 90°C
- 6) PACKAGING:
 CABLE ASSEMBLIES ARE BAGGED SEPERATELY
 IN POLY BAGS WITH BAR CODE LABEL ATTACHED
 TO OUTSIDE OF BAG.
- 7) ASSEMBLY IS RoHS COMPLIANT.
- 8) CERTIFICATION
 cCSAus



ITEM	QTY.	DESCRIPTION	MATERIAL	FINISH
6	1	LABEL	PLASTIC FILM	BLACK/YELLOW
5	5	PIN CONTACT	COPPER ALLOY	GOLD PLATED
4	1	INSERT	PUR	BLACK
3	1	COUPLING NUT	BRASS	NICKEL PLATED
2	1	OVERMOLD	PUR	YELLOW
1	1	CABLE, 22AWG-5	PVC JACKET	YELLOW

RELEASE EC NO: WEU2010-0003 DRWN: TWOLDEGE 7/2/09 CH'KD: BWOODMAN APPR: JFMURPHY 2009/07/20	DESCRIPTION A	QUALITY SYMBOL	GENERAL TOLERANCES (UNLESS SPECIFIED)		DIMENSION STYLE		SCALE	DESIGN UNITS	THIRD ANGLE PROJECTION																									
		$\nabla=0$ $\sphericalangle=0$	<table border="1"> <tr><th></th><th>mm</th><th>INCH</th></tr> <tr><td>4 PLACES</td><td>±----</td><td>±----</td></tr> <tr><td>3 PLACES</td><td>±----</td><td>±----</td></tr> <tr><td>2 PLACES</td><td>±----</td><td>±----</td></tr> <tr><td>1 PLACE</td><td>±----</td><td>±----</td></tr> </table>		mm	INCH	4 PLACES	±----	±----	3 PLACES	±----	±----	2 PLACES	±----	±----	1 PLACE	±----	±----	<table border="1"> <tr><th>DRAWN BY</th><th>DATE</th></tr> <tr><td>TWOLDEGE</td><td>2009/07/02</td></tr> <tr><th>CHECKED BY</th><th>DATE</th></tr> <tr><td>BWOODMAN</td><td>2009/07/02</td></tr> <tr><th>APPROVED BY</th><th>DATE</th></tr> <tr><td>----</td><td>----</td></tr> </table>	DRAWN BY	DATE	TWOLDEGE	2009/07/02	CHECKED BY	DATE	BWOODMAN	2009/07/02	APPROVED BY	DATE	----	----	TITLE	MOLEX INCORPORATED	
			mm	INCH																														
		4 PLACES	±----	±----																														
3 PLACES	±----	±----																																
2 PLACES	±----	±----																																
1 PLACE	±----	±----																																
DRAWN BY	DATE																																	
TWOLDEGE	2009/07/02																																	
CHECKED BY	DATE																																	
BWOODMAN	2009/07/02																																	
APPROVED BY	DATE																																	
----	----																																	
DRAFT WHERE APPLICABLE MUST REMAIN WITHIN DIMENSIONS		ANGULAR ±----°	MATERIAL NO.	DOCUMENT NO.	SHEET NO.																													
SEE CHART		SEE CHART	SD-120079-008	1 OF 1	THIS DRAWING CONTAINS INFORMATION THAT IS PROPRIETARY TO MOLEX INCORPORATED AND SHOULD NOT BE USED WITHOUT WRITTEN PERMISSION																													

Mouser Electronics

Authorized Distributor

Click to View Pricing, Inventory, Delivery & Lifecycle Information:

[Molex:](#)

[1200790239](#)