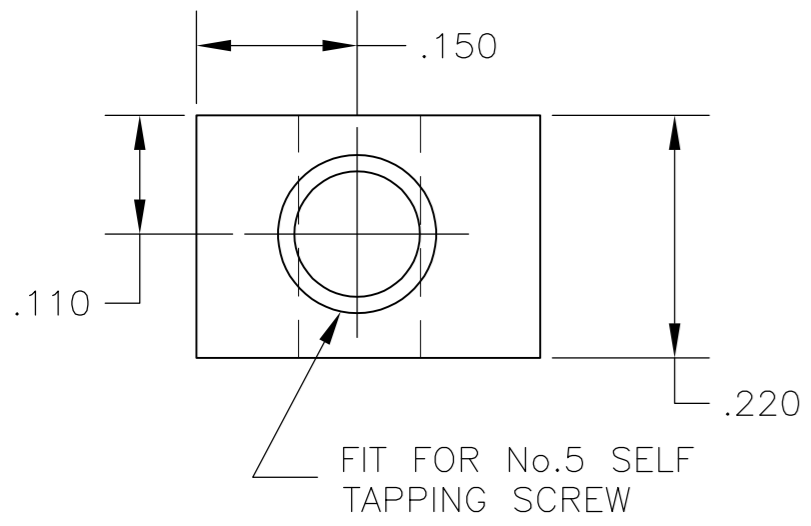
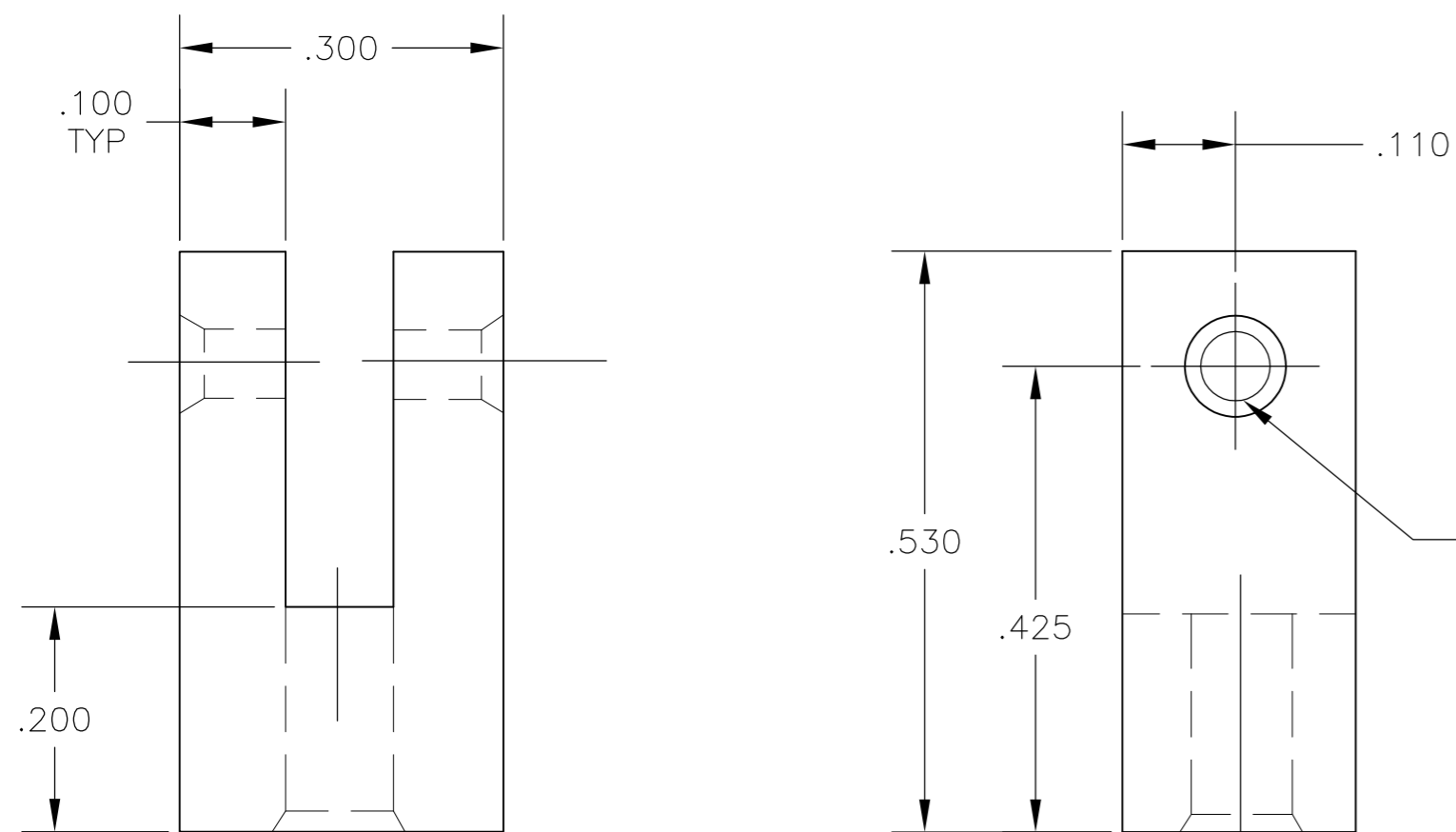


THIS DRAWING IS UNPUBLISHED. RELEASED FOR PUBLICATION
 © COPYRIGHT - By - ALL RIGHTS RESERVED.

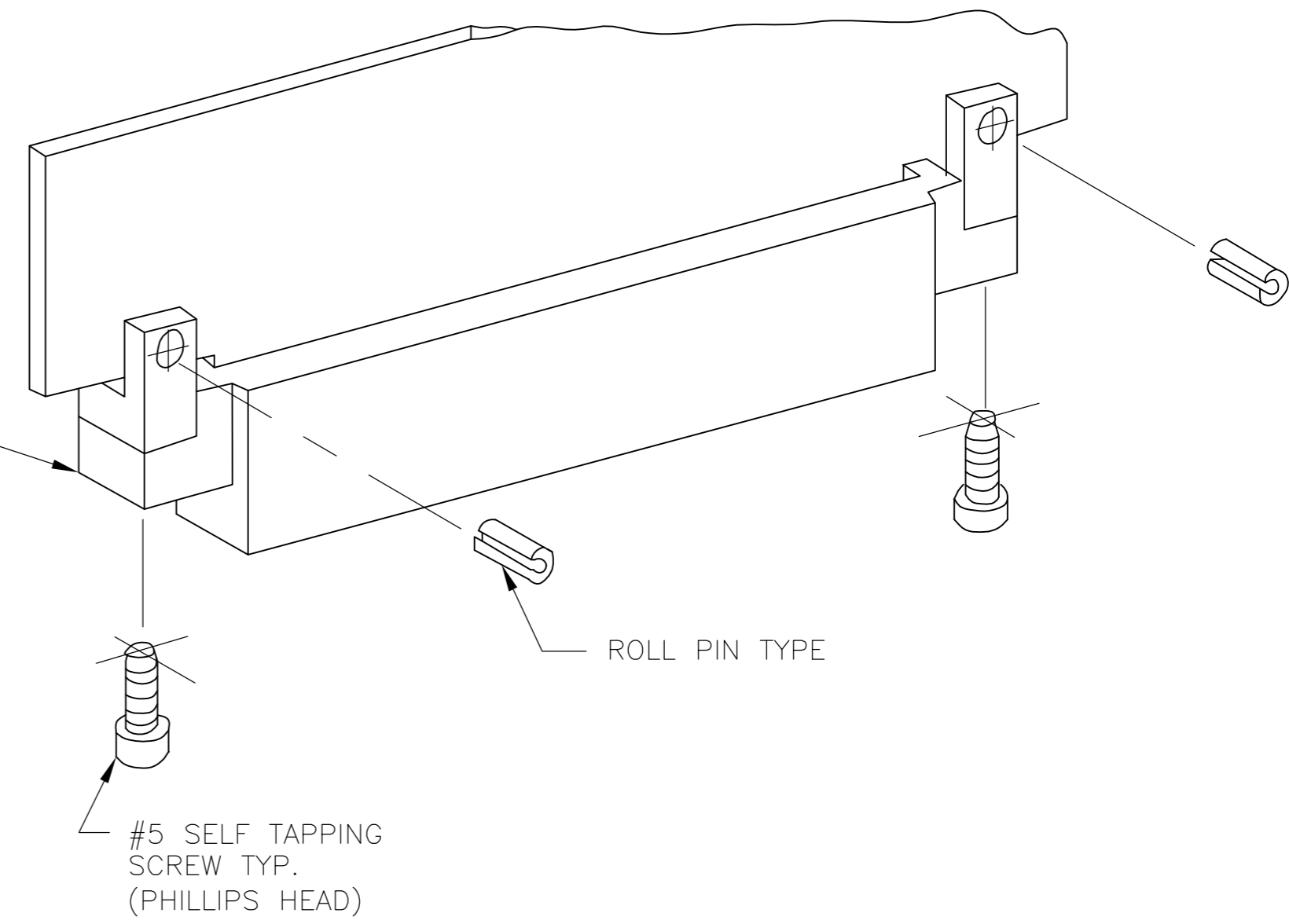
LOC		DIST		REVISIONS			
P	LTR	DESCRIPTION		DATE	DWN	APVD	
AD	00	H1	REVISED PER ECO-13-014537	13SEP2013	KH	MM	



- SUPERSEDED $\triangle 1$ 531250-1 KIT INCLUDES: 2=531250-2, 2=SCREWS #5 X $\frac{3}{8}$ ",
2=ROLL PINS $\frac{1}{16}$ " X $\frac{1}{4}$ "
- $\triangle 2$ 531250-2 AS SHOWN (BOARD RETAINER ONLY)
- OBSOLETE $\triangle 3$ 530250-3 KIT: SAME AS 530250-2 EXCEPT HOLE DIA IS .125 IN PLACE OF
FIT FOR $\frac{1}{16}$ " ROLL PIN
- SUPERSEDED $\triangle 4$ 530250-4 KIT INCLUDES: 2=531250-2, 2=SCREWS #5 X $\frac{7}{16}$ ",
2=ROLL PINS $\frac{1}{16}$ " X $\frac{1}{4}$ "
- $\triangle 5$ 5-530250-4 KIT (LEAD FREE) INCLUDES: 2=531250-2, 2 SCREWS #5 X $\frac{7}{16}$ ",
2=ROLL PINS $\frac{1}{16}$ " X $\frac{1}{4}$ "

FIT FOR $\frac{1}{16}$ " DIA,
ROLL PIN
(531250-1 AND -2)

HOUSING REF
AMP LEAF
TWIN LEAF
MOD FORK
AMP TAB



SUPERSEDED BY 5-531250-4	$\triangle 5$	5-531250-4
	$\triangle 4$	531250-4
OBSOLETE	$\triangle 3$	531250-3
	$\triangle 2$	531250-2
SUPERSEDED BY 5-531250-4	$\triangle 1$	531250-1
		DESCRIPTION
		PART NO

DIMENSIONS:		TOLERANCES UNLESS OTHERWISE SPECIFIED:		DWN		CHK		APVD		NAME	
INCHES		0 PLC	± -	A.M.SHARPE		RACILLA		RACILLA		TE Connectivity	
		1 PLC	± -	11JULY78		RACILLA		PRODUCT SPEC		BOARD RETAINER, CARD EDGE, I/O CONN	
		2 PLC	± -			APPLICATION SPEC				RESTRICTED TO	
		3 PLC	± .010							SIZE	
		4 PLC	± -							CAGE CODE	
		ANGLES	± -							DRAWING NO	
		FINISH	-							00779	
MATERIAL										DRAWING NO	
NYLON										531250	
										RESTRICTED TO	
										-	
										SCALE	
										6:1	
										SHEET	
										1 of 1	
										REV	
										H1	

Mouser Electronics

Authorized Distributor

Click to View Pricing, Inventory, Delivery & Lifecycle Information:

[TE Connectivity:](#)

[5-531250-4](#) [531250-4](#)