

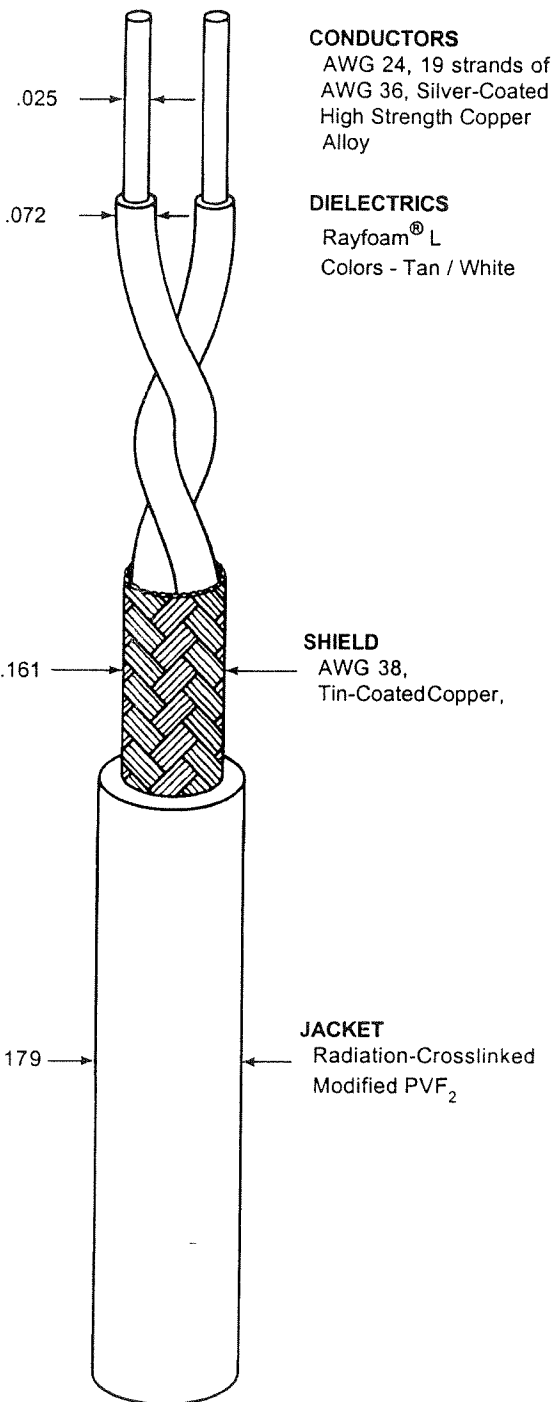
THIS SPECIFICATION SHEET FORMS A PART OF THE LATEST ISSUE OF RAYCHEM SPECIFICATION 1200.

**CONSTRUCTION DETAILS**

**ELECTRICAL CHARACTERISTICS**

DIMENSIONS ARE NOMINAL VALUES IN INCHES UNLESS OTHERWISE DESIGNATED.

CHARACTERISTIC IMPEDANCE	125 ± 10 ohms, Method C at 1 MHz
CAPACITANCE - MUTUAL	12.0 pF/ft. (nominal)
VELOCITY OF PROPAGATION	77% (nominal)



**CONDUCTORS**  
AWG 24, 19 strands of  
AWG 36, Silver-Coated  
High Strength Copper  
Alloy

**DIELECTRICS**  
Rayfoam® L  
Colors - Tan / White

**SHIELD**  
AWG 38,  
Tin-Coated Copper,

**JACKET**  
Radiation-Crosslinked  
Modified PVF<sub>2</sub>

**ADDITIONAL REQUIREMENTS**

**ELECTRICAL**

CONDUCTOR RESISTANCE	26.5ohms/1000 ft. (nominal)
INSULATION RESISTANCE	10,000 megohms (minimum) for 1000 ft.
JACKET FLAWS	
SPARK TEST	1.0 kV (rms), 60 Hz
IMPULSE TEST	6.0 kV (peak)
VOLTAGE WITHSTAND (DIELECTRIC)	1000 volts (rms) (minimum)

**ENVIRONMENTAL**

AGING STABILITY	135°C/-55°C/5.00 inch mandrel
FLAMMABILITY	Method B
HEAT SHOCK	225°C
LOW TEMPERATURE- COLD BEND	-55°C/5.00 inch mandrel
VOLTAGE WITHSTAND (POST ENVIRONMENTAL)	1000 volts (rms), 1 minute

**PHYSICAL**

INSULATION (DIELECTRIC) (Prior to Cabling)	
ELONGATION	50% (minimum)
TENSILE STRENGTH	800 lbf/in <sup>2</sup> (minimum)
JACKET	
ELONGATION	200% (minimum)
TENSILE STRENGTH	4000 lbf/in <sup>2</sup> (minimum)
JACKET THICKNESS	.009 inch (nominal)
SHIELD COVERAGE	90% (minimum)

WEIGHT	15.3 lbs/1000 ft (nominal)
--------	----------------------------

After jacket color will be white (designated by a "-9" appended to the part number, e.g., 2524E0114-9) unless otherwise specified.

Designate outer jacket color with a dash number in accordance with MIL-STD-681.

# Mouser Electronics

Authorized Distributor

Click to View Pricing, Inventory, Delivery & Lifecycle Information:

[TE Connectivity:](#)

[2524E0114-9](#)