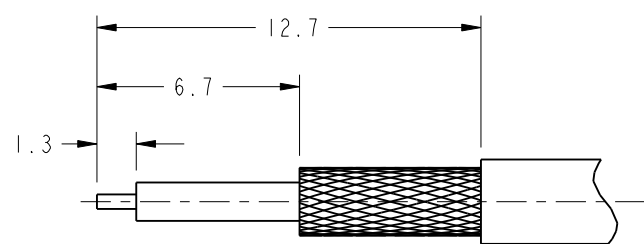


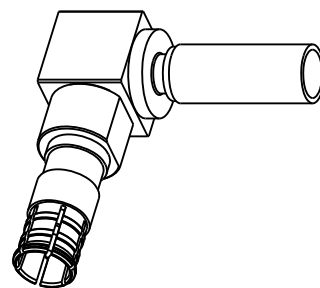
NOTES:

1. MATERIALS AND FINISHES:
 - REAR BODY - BRASS, GOLD PLATING
 - OUTER CONTACT - BeCu, NICKEL PLATING
 - CENTER CONTACT - BRASS, GOLD PLATING
 - CAP - BRASS, GOLD PLATING
 - INSULATOR(2) - PTFE
2. PACKAGING:
 - A. QUANTITY: SINGLE PACK
 - B. CAP, INSULATOR DISC, AND CRIMP FERRULE ARE PACKAGED LOOSE.
 - C. MARKING: BAG TO BE MARKED "AMPHENOL, 902-9029, AND DATE CODE"
3. CABLE ASSEMBLY INSTRUCTIONS:
 - A. TRIM CABLE TO RECOMMENDED CABLE STRIPPING DIMENSIONS AS SHOWN
 - B. SLIDE CRIMP FERRULE OVER CABLE
 - C. INSERT CABLE INTO CRIMP BODY CAVITY OF CONNECTOR WITH CABLE BRAID FLAIED OVER CRIMP BODY WHILE ASSURING CABLE CENTER CONDUCTOR ENTERS SLOT OF BIFURCATED CONTACT. CABLE DIELECTRIC SHOULD BOTTOM AGAINST BIFURCATED CONTACT.
 - D. SLIDE CRIMP FERRULE OVER CABLE BRAID AND CRIMP BODY OF CONNECTOR UNTIL BOTTOMING AGAINST FLANGE ON CRIMP BODY.
 - E. CRIMP FERRULE WITH .128" HEX TOOL
 - F. SOLDER CABLE CENTER CONDUCTOR TO BIFURCATED CONTACT
 - G. INSERT INSULATOR DISC INTO SOLDER CAVITY
 - H. PRESS CAP INTO SOLDER CAVITY UNTIL FLUSH WITH REAR SURFACE OF CONNECTOR.

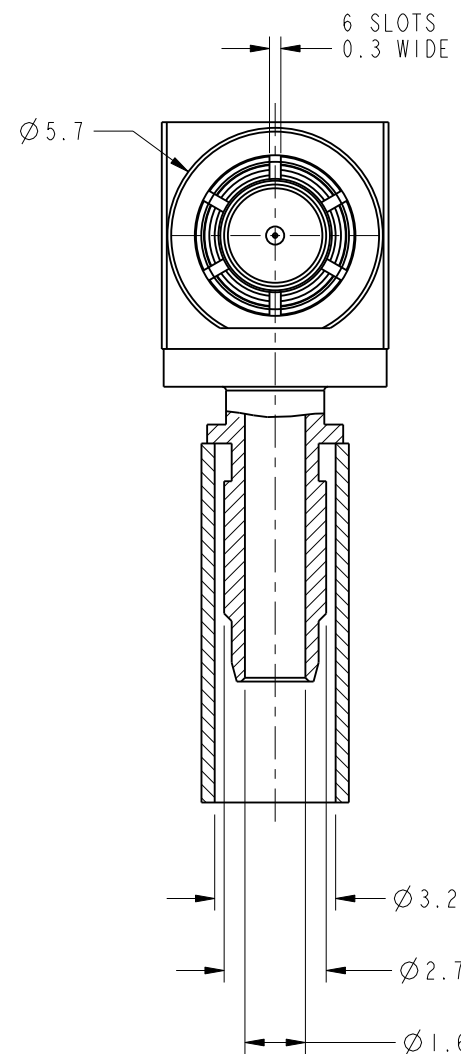


SCALE 4.000

RECOMMENDED CABLE STRIPPING DIMENSIONS



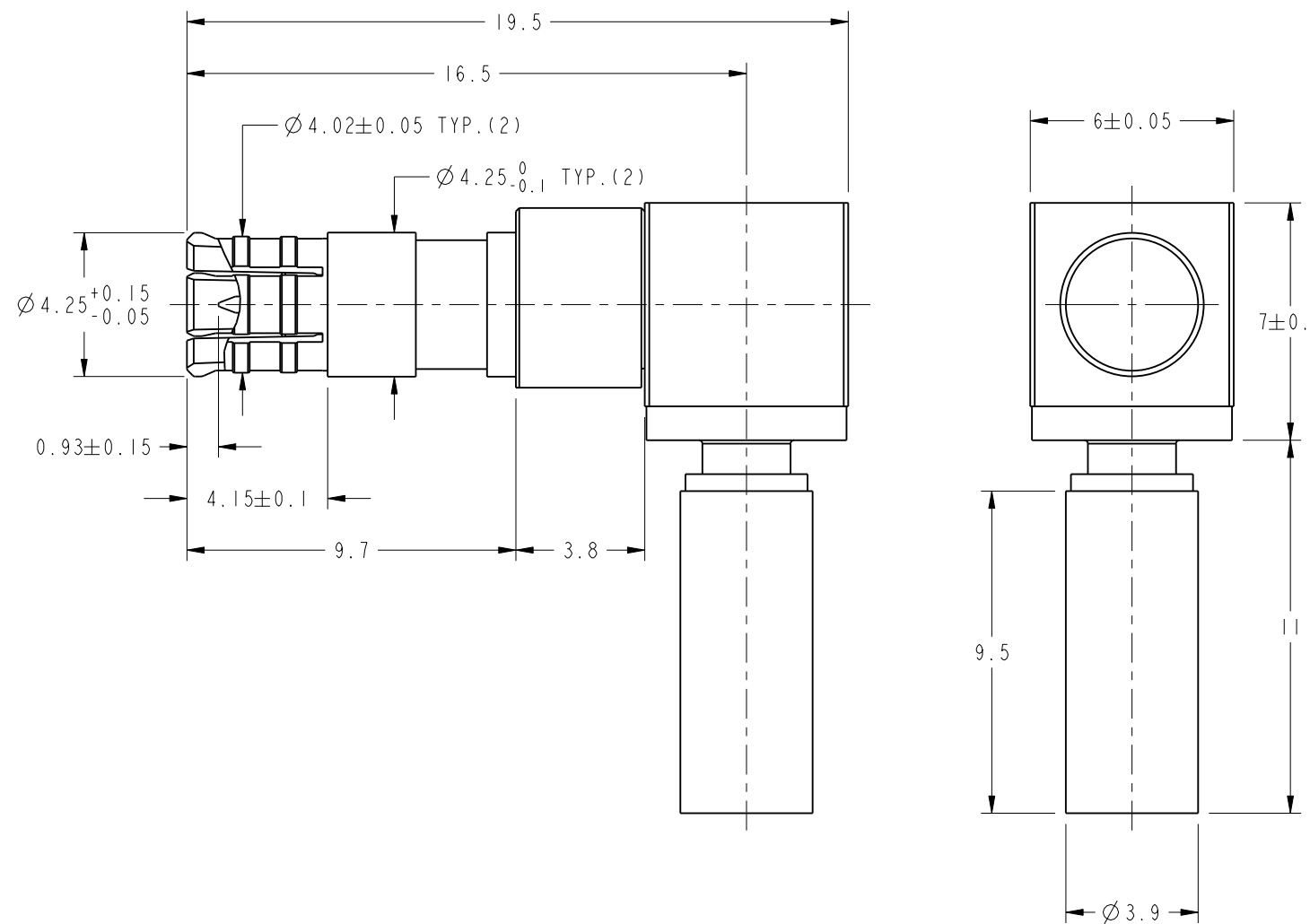
SCALE 2.000



THIRD ANGLE PROJ.

REVISIONS

REV	DESCRIPTION	DATE	ECO	APPR
A	RELEASE TO MFG.	11/10/06	46338	
B	ADDED FLAT	27-Sep-12	49252	SH



CUSTOMER OUTLINE DRAWING

ALL OTHER SHEETS ARE FOR INTERNAL USE ONLY

UNLESS OTHERWISE SPECIFIED, DIMENSIONS ARE IN METRIC AND TOLERANCES ARE: <0.5mm ± 0.05mm 0.5 - 6mm ± 0.1mm 6 - 30mm ± 0.2mm 30 - 120mm ± 0.3mm ANGLES ± 1°	MATERIAL	DRAWN T. DENG	DATE 27-Sep-12	TITLE CONNECTOR RF SWITCH PLUG RG-174 CABLE	Amphenol RF www.amphenolrf.com
	REFERENCE EAR #2019	ENGINEER M. HOYACK	DATE 06-Nov-06		
NOTICE - These drawings, specifications, or other data (1) are, and remain the property of Amphenol corp. (2) must be returned upon request; and (3) are confidential and not to be disclosed to any person other than those to whom they are given by Amphenol Corp. the finishing of these drawings, specifications, or other data by Amphenol Corp., or to any other person to anyone for any purpose is not to be regarded by implication or otherwise in any manner licensing, granting rights to permitting such holder or any other person to manufacture, use or sell any product, process or design, patented or otherwise, that may in any way be related to or disclosed by said drawings, specifications, or other data.	CONFIGURATION LEVEL:	APPROVED S. HSIEH	DATE 27-Sep-12	SCALE: 5.0:1.0 SHEET 2 OF 2	ITEM NO. 902-9029
	FINISH	CAD FILE	DWG SIZE B	REV B	PART NO. 902-9029

Mouser Electronics

Authorized Distributor

Click to View Pricing, Inventory, Delivery & Lifecycle Information:

[Amphenol:](#)

[902-9029](#)