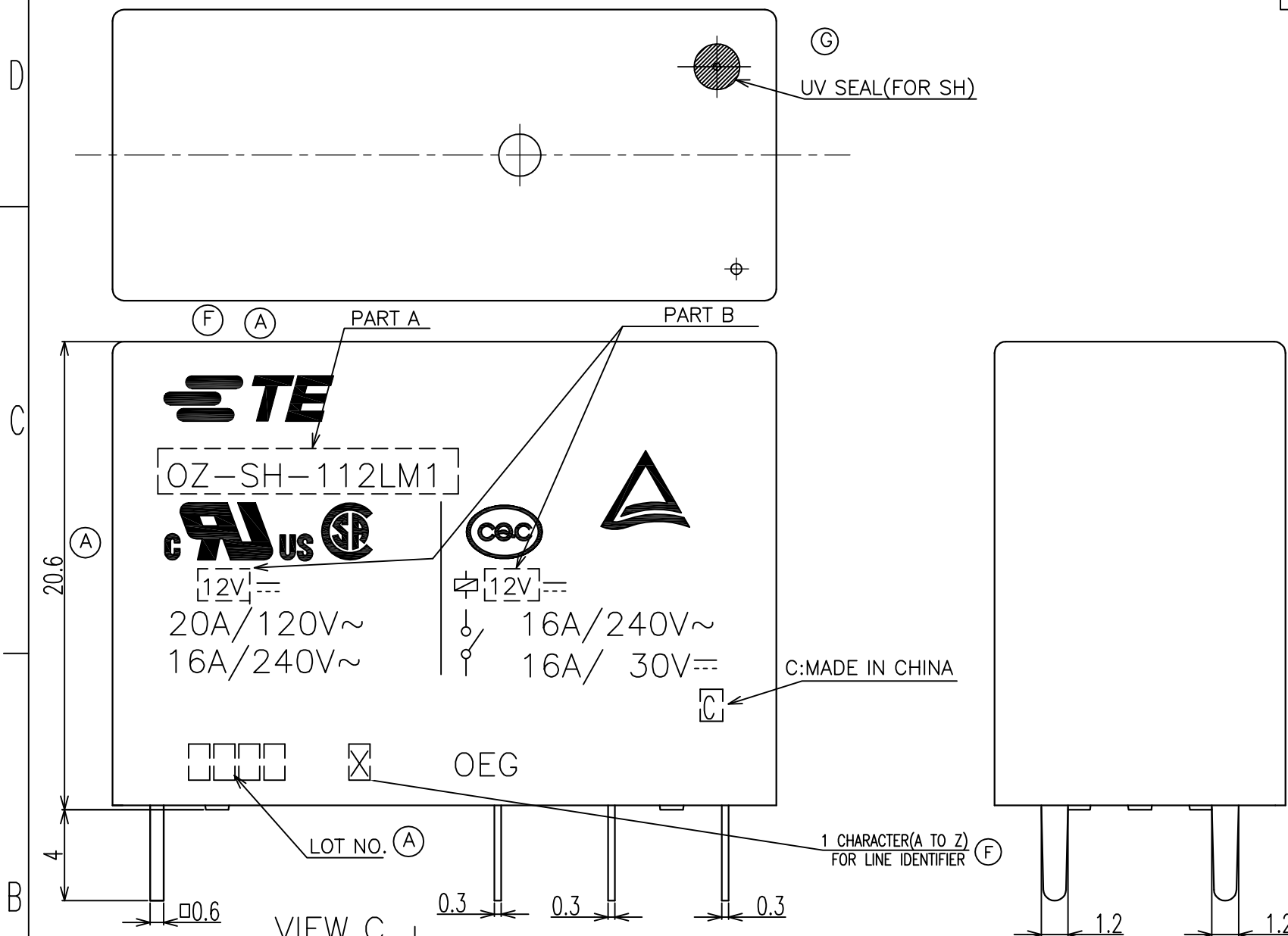
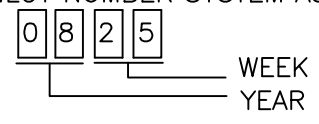


THIS DRAWING IS UNPUBLISHED. RELEASED FOR PUBLICATION
 © COPYRIGHT ALL RIGHTS RESERVED.

LOC	HB	REVISIONS						
		P	LTR	DESCRIPTION	DATE	DWN	APVD	
		F		1.UPDATE TE LOGO 2.ADD LINE IDENTIFICATION 3.TERMINALS TOLERANCE CLARIFICATION 4.VENT HOLE CHANGE	ECO-12-005726	6-APR-12	D.L	BH.Y
		G		CHANGE THE VENT HOLE SHAPE FROM RECTANGLE TO CIRCLE ONE	ECO-13-015347	16-DEC-13	XL,Y	B,F



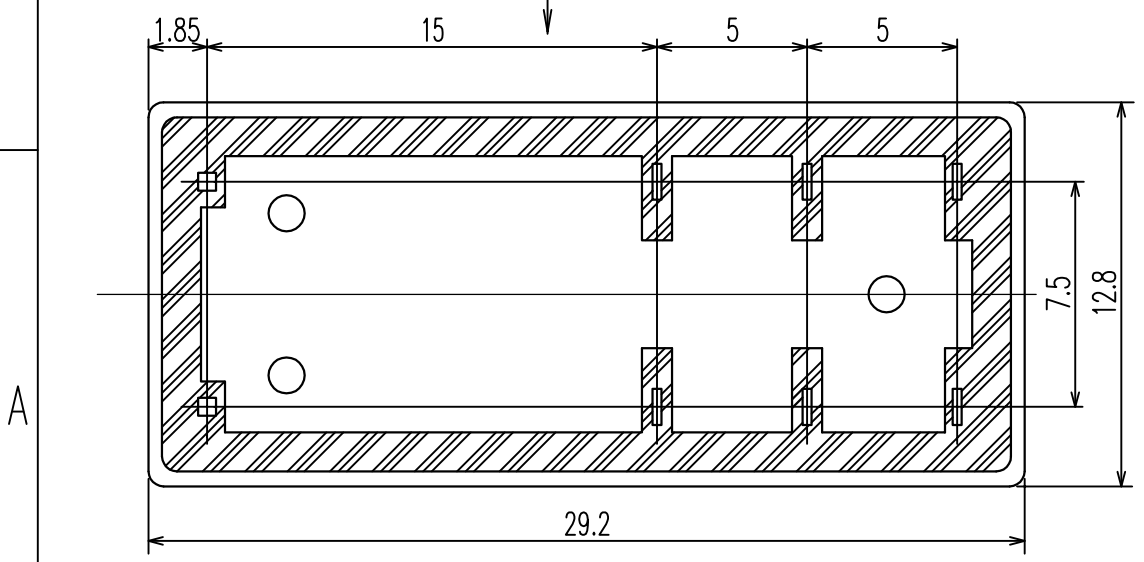
- (A) NOTES:
 1. TERMINAL DIMENSION IS NOT INCLUDING SOLDER TIP.
 2. LOT NUMBER SYSTEM AS FOLLOWS:



3. GENERAL TOLERANCE AS FOLLOWS:

TOLERANCE	
0~0.99mm	±0.1
1mm~2.99mm	±0.2
3mm MIN.	±0.3

- (F) 4. FOR THE TIN-PLATING OF THE PINS:
 +0.1mm FOR WIDTH, THICKNESS AND DIAMETER.
 +0.5mm FOR LENGTH.



DWN SHIMING.CHEN		TE Connectivity	
CHK WAYNE.PENG			
APVD FUNAYAMA.NAOYA		NAME	
PRODUCT SPEC		OZ-1T CUSTOMER DRAWING	
APPLICATION SPEC		RESTRICTED TO	
WEIGHT		SIZE A3	CAGE CODE 00779
MATERIAL		DRAWING NO. 1440002-4	
FINISH		SCALE 4:1 SHEET 1 OF 2 REV G	
CUSTOMER DRAWING			

DIMENSIONS:	TOLERANCES UNLESS OTHERWISE SPECIFIED:
mm	
	0 PLC ±
	1 PLC ±±
	2 PLC ±±±
	3 PLC ±±±±
	4 PLC ±±±±±
	ANGLES ±

THIS DRAWING IS UNPUBLISHED.

RELEASED FOR PUBLICATION

© COPYRIGHT

ALL RIGHTS RESERVED.

LOC

DIST

REVISIONS

P

LTR

DESCRIPTION

ECN

DATE

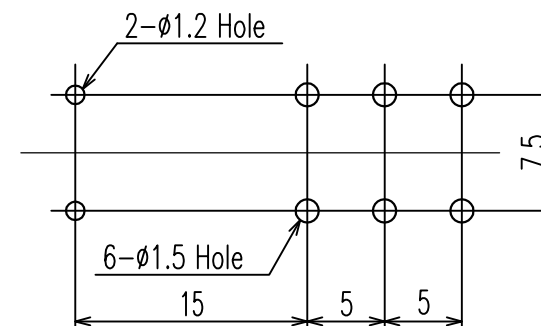
DWN

APVD

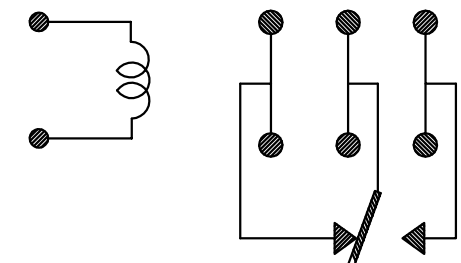
(A1)	1-1440002-1	OZ-SH-124L	24V	OZ-SH-124L
(A1)	1440002-9	OZ-SH-124D	24V	OZ-SH-124D
(A1)	1461252-1	OZ-SH-148L	48V	OZ-SH-148L
(A1)	1440002-6	OZ-SH-112D	12V	OZ-SH-112D
(A1)	1440002-4	OZ-SH-105D	5V	OZ-SH-105D
	1461354-1	OZ-SS-118D	18V	OZ-SS-118D
	3-1440002-1	OZ-SS-148L	48V	OZ-SS-148L
	2-1440002-8	OZ-SS-124L	24V	OZ-SS-124L
	2-1440002-5	OZ-SS-124D	24V	OZ-SS-124D
	2-1440002-3	OZ-SS-112L	12V	OZ-SS-112L
	2-1440002-1	OZ-SS-112D	12V	OZ-SS-112D
	1-1440002-9	OZ-SS-109L	9V	OZ-SS-109L
	1-1440002-8	OZ-SS-109D	9V	OZ-SS-109D
	1-1440002-6	OZ-SS-106L	6V	OZ-SS-106L
	1-1440002-4	OZ-SS-106D	6V	OZ-SS-106D
	1-1440002-3	OZ-SS-105L	5V	OZ-SS-105L
	1-1440002-2	OZ-SS-105D	5V	OZ-SS-105D
	1461717-1	OZ-SH-112L	12V	OZ-SH-112L
	1-1461250-8	OZ-SH-148L	48V	OZ-SH-148L
	1-1461250-6	OZ-SH-148D	48V	OZ-SH-148D
	1-1461250-2	OZ-SH-109L	9V	OZ-SH-109L
	1-1461250-0	OZ-SH-109D	9V	OZ-SH-109D
	0-1461250-8	OZ-SH-106L	6V	OZ-SH-106L
	0-1461250-6	OZ-SH-106D	6V	OZ-SH-106D
	0-1461250-5	OZ-SH-105L	5V	OZ-SH-105L
	0-1461250-3	OZ-SH-105D	5V	OZ-SH-105D
	0-1461250-2	OZ-SH-124L	24V	OZ-SH-124L
	0-1461250-1	OZ-SH-112D	12V	OZ-SH-112D
	0-1440002-7	OZ-SH-112L	12V	OZ-SH-112L
	PART NO	EC TYPE NAME	PART B	PART A

RELAY TYPE

CIRCUIT DIAGRAM(2/1)
(BOTTOM VIEW)



DRILLING DIAGRAM
(BOTTOM VIEW)



DWN SHIMING.CHEN				NAME	
CHK WAYNE.PENG					
APVD FUNAYAMA.NAOYA		PRODUCT SPEC		OZ-1T CUSTOMER DRAWING	
APVD FUNAYAMA.NAOYA		APPLICATION SPEC		RESTRICTED TO	
MATERIAL		FINISH		SIZE A3	CAGE CODE 00779
DIMENSIONS: mm		TOLERANCES UNLESS OTHERWISE SPECIFIED:		DRAWING NO 1440002-4	
		0 PLC ± 1 PLC ± 2 PLC ± 3 PLC ± 4 PLC ± ANGLES ±		SCALE 4:1	
-		-		SHEET 2 OF 2	
-		-		REV G	
CUSTOMER DRAWING		CUSTOMER DRAWING		REV G	

Mouser Electronics

Authorized Distributor

Click to View Pricing, Inventory, Delivery & Lifecycle Information:

[TE Connectivity:](#)

[OZ-SH-105D,294](#)