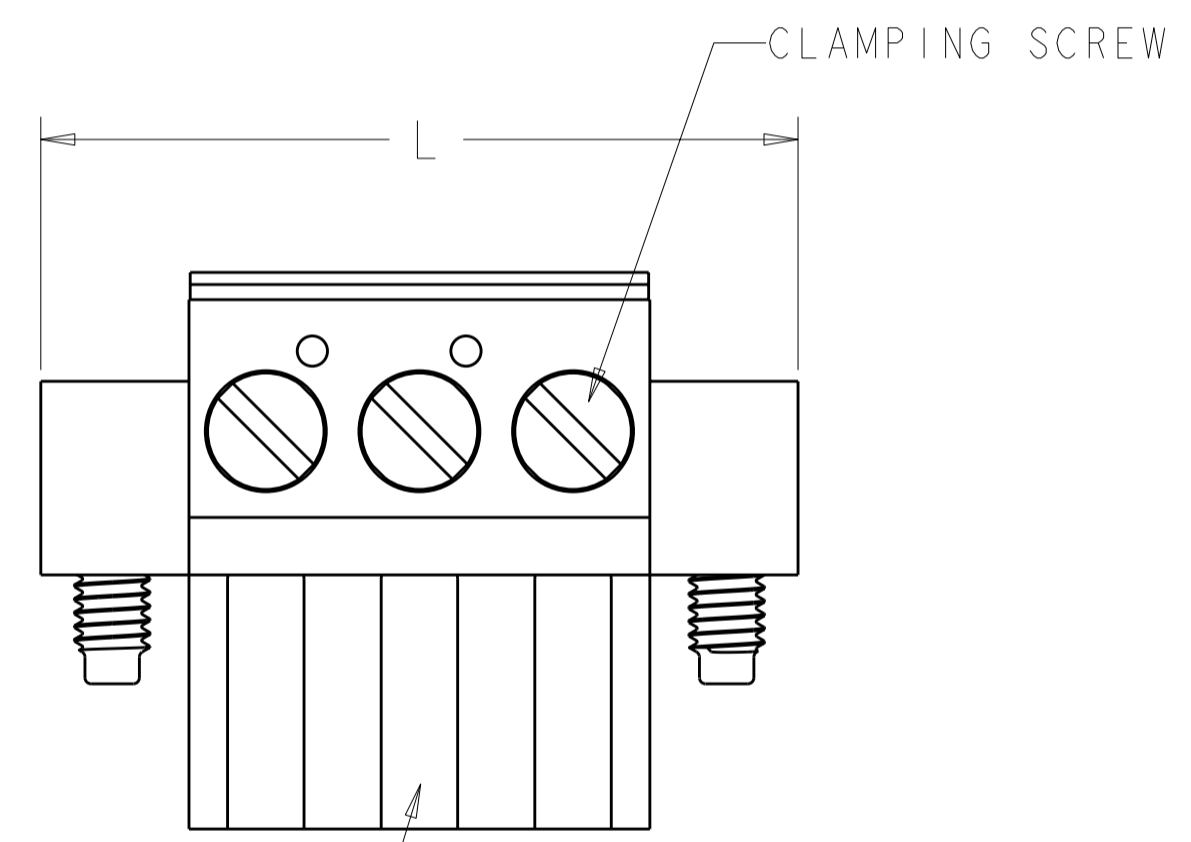
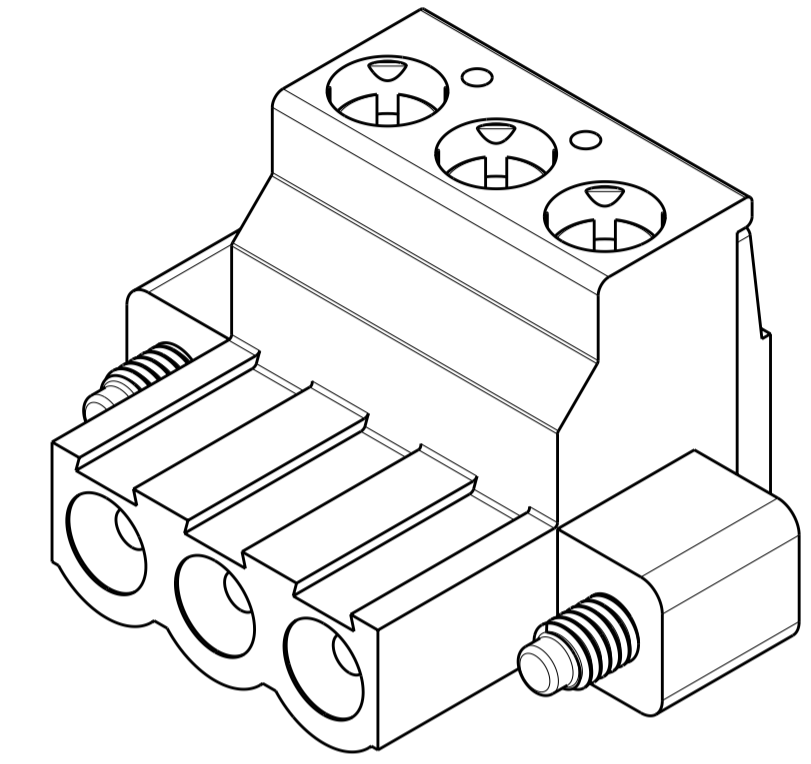
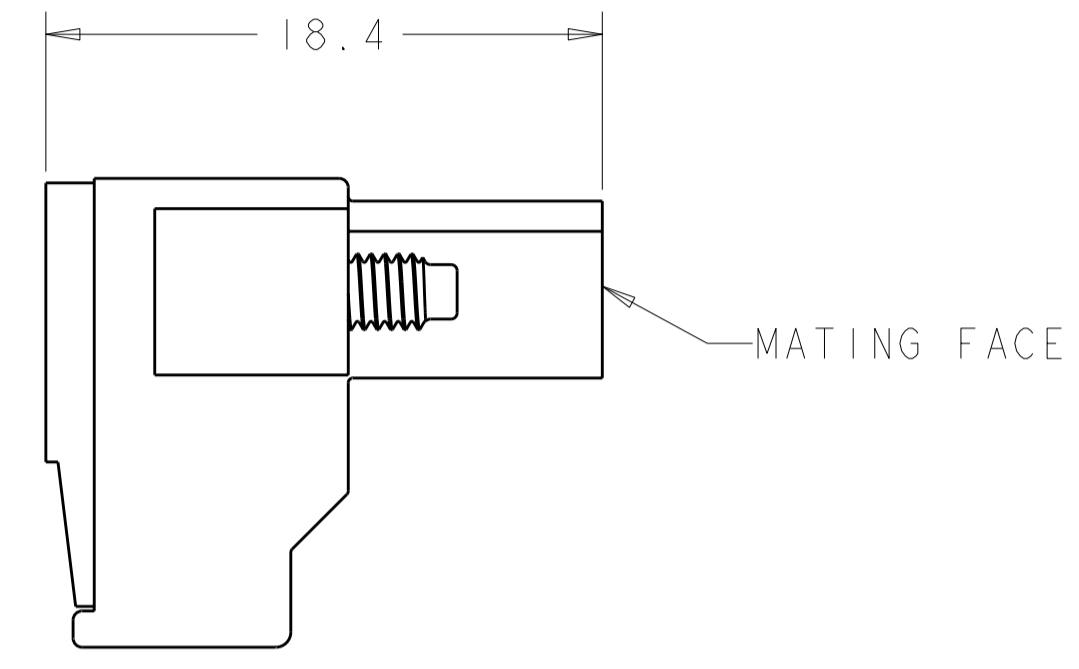
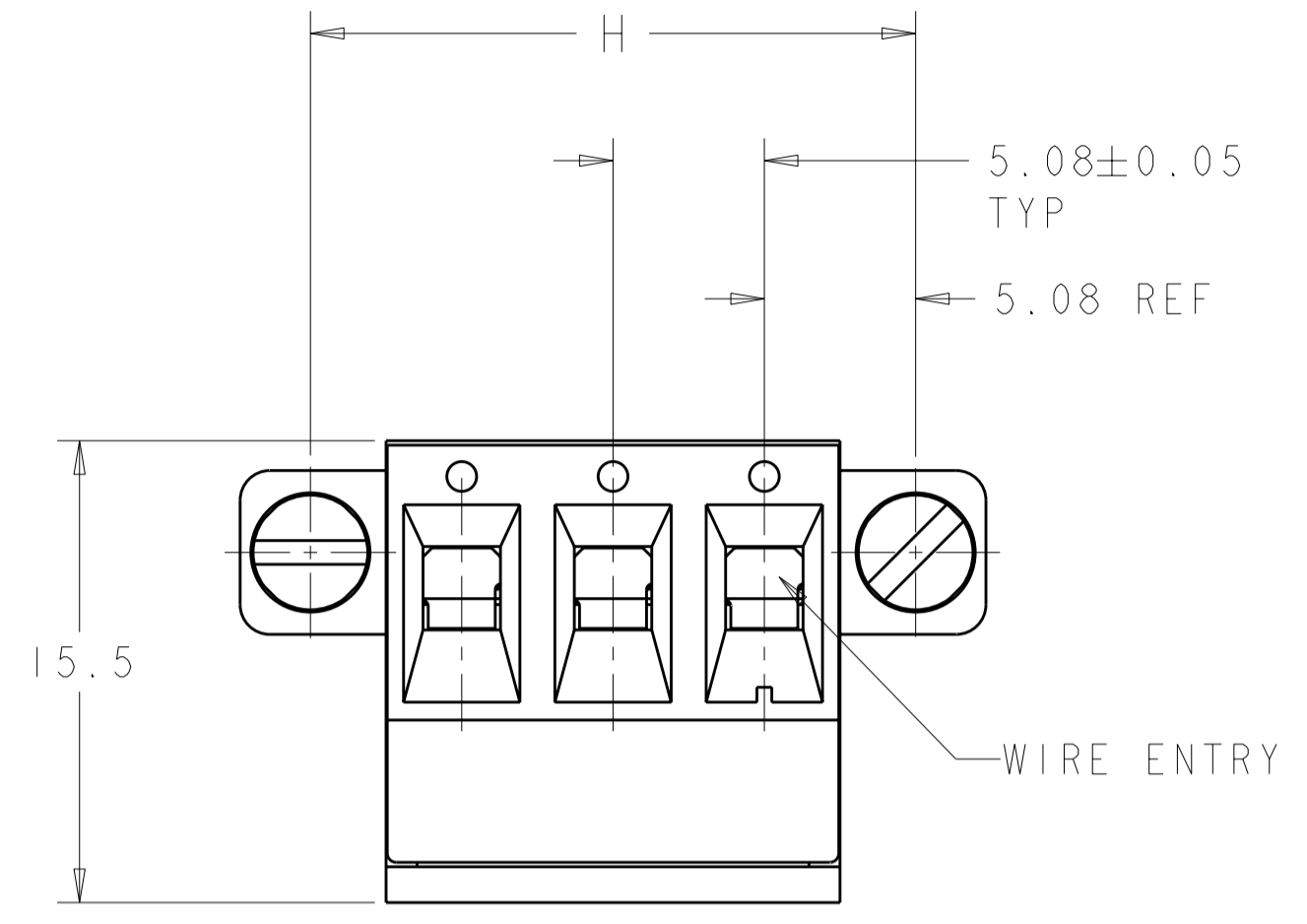


THIS DRAWING IS UNPUBLISHED. RELEASED FOR PUBLICATION 20
 © COPYRIGHT 20 BY - ALL RIGHTS RESERVED.

LOC		DIST		REVISIONS			
P	LTR	DESCRIPTION	DATE	DWN	APVD		
	E3	REVISED PER ECO-11-004587	11MAR2011	RK	HMR		



PRELIMINARY	0.76µm GOLD	-	-	60.60	55.88	10	2-796859-6
PRELIMINARY	0.2µm GOLD	△6	DETAIL G	35.20	30.48	5	2-796859-5
PRELIMINARY	TIN	△5	DETAIL F	25.04	20.32	3	2-796859-4
TIN	-	-	-	126.64	121.92	23	2-796859-3
TIN	-	-	-	121.56	116.84	22	2-796859-2
TIN	-	-	-	116.48	111.76	21	2-796859-1
TIN	-	-	-	111.40	106.68	20	2-796859-0
TIN	-	-	-	106.32	101.60	19	1-796859-9
TIN	-	-	-	101.24	96.52	18	1-796859-8
TIN	-	-	-	96.16	91.44	17	1-796859-7
TIN	-	-	-	91.08	86.36	16	1-796859-6
TIN	-	-	-	86.00	81.28	15	1-796859-5
TIN	-	-	-	80.92	76.20	14	1-796859-4
TIN	-	-	-	75.84	71.12	13	1-796859-3
TIN	-	-	-	70.76	66.04	12	1-796859-2
TIN	-	-	-	65.68	60.96	11	1-796859-1
TIN	-	-	-	60.60	55.88	10	1-796859-0
TIN	-	-	-	55.52	50.80	9	796859-9
TIN	-	-	-	50.44	45.72	8	796859-8
TIN	-	-	-	45.36	40.64	7	796859-7
TIN	-	-	-	40.28	35.56	6	796859-6
TIN	-	-	-	35.20	30.48	5	796859-5
TIN	-	-	-	30.12	25.40	4	796859-4
TIN	-	-	-	25.04	20.32	3	796859-3
TIN	-	-	-	19.96	15.24	2	796859-2
TERMINAL PLATING	MARKING	SPECIAL	L	H	NO. OF POSN	PART NUMBER	

- △ MATERIALS AND FINISH:
 HOUSING: PA 6-6, UL 94-V0, COLOR: GREEN.
 TERMINAL: PHOSPHOR BRONZE, PLATING: SEE TABLE, OVER 2-3µm NICKEL
- 2. SUITABLE FOR 1,6-2, 4mm PC BOARD THICKNESS.
- 3. RECOGNIZED UNDER THE COMPONENT PROGRAM OF UNDERWRITERS LABORATORIES INC. FILE No. E60677.
- 4. IMQ CERTIFICATE WITH SURVEILLANCE ON CONFORMITY WITH IEC 998-1/998-2-1.
- △ INK MARKING, COLOR: WHITE.
- △ LABEL APPLIED OR INK MARKING AS SHOWN.

THIS DRAWING IS A CONTROLLED DOCUMENT.

DWN: S. WELDON 12FEB2001
 CHK: D. BIEVENOUR 12FEB2001
 APVD: D. BIEVENOUR 12FEB2001

STE TE Connectivity

NAME: TERMINAL BLOCK, PLUG 90 DEGREE, WITH FLANGE, 5.08mm PITCH

SIZE: A2 CAGE CODE: 00779 DRAWING NO: 796859 RESTRICTED TO: -

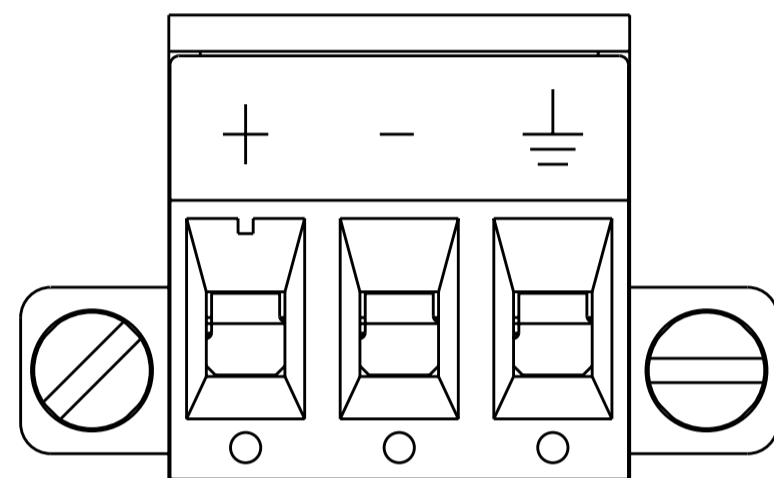
MATERIAL: △ - TOLERANCES UNLESS OTHERWISE SPECIFIED: 0 PLC ±, 1 PLC ±0.2, 2 PLC ±0.00, 3 PLC ±0.000, 4 PLC ±0.0000 ANGLES FINISH △ -

WEIGHT: -

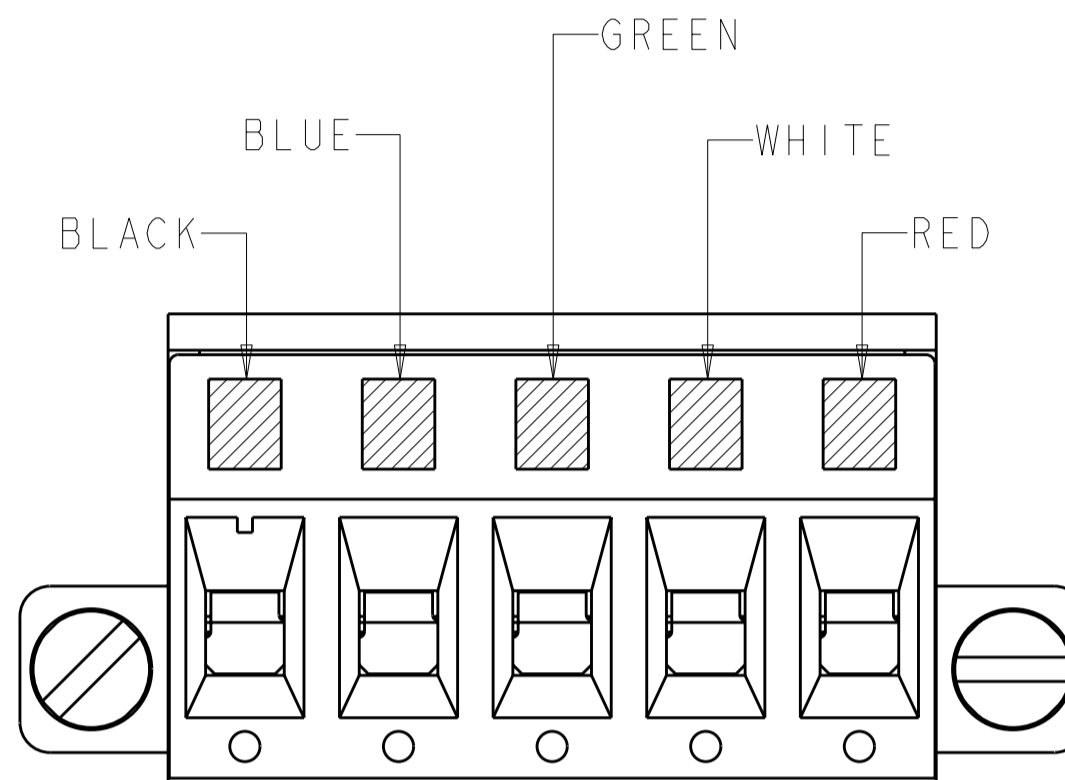
CUSTOMER DRAWING SCALE: 2:1 SHEET 1 OF 2 REV: E3

THIS DRAWING IS UNPUBLISHED. RELEASED FOR PUBLICATION 20
 © COPYRIGHT 20 BY - ALL RIGHTS RESERVED.


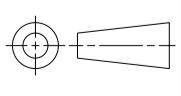
LOC	DIST	REVISIONS			
P	LTR	DESCRIPTION	DATE	DWN	APVD
FT	0	-	SEE SHEET 1	-	-



DETAIL F



DETAIL G

THIS DRAWING IS A CONTROLLED DOCUMENT.		DWN S. WELDON	12FEB2001	 TE Connectivity NAME TERMINAL BLOCK, PLUG 90 DEGREE, WITH FLANGE, 5.08mm PITCH
DIMENSIONS: mm		CHK D. BIEVENOUR	12FEB2001	
		APVD D. BIEVENOUR	12FEB2001	
TOLERANCES UNLESS OTHERWISE SPECIFIED: 0 PLC ±- 1 PLC ±0.2 2 PLC ±0.00 3 PLC ±0.000 4 PLC ±0.0000 ANGLES ±- FINISH		PRODUCT SPEC -	APPLICATION SPEC -	
MATERIAL	-	WEIGHT	-	SIZE A200779
-		CUSTOMER DRAWING		CAGE CODE C-796859 DRAWING NO 796859 RESTRICTED TO - SCALE 4:1 SHEET 2 OF 2 REV E3

Mouser Electronics

Authorized Distributor

Click to View Pricing, Inventory, Delivery & Lifecycle Information:

[TE Connectivity:](#)

[1-796859-0](#)