

PART NAME

UTILIBOX (STYLE D)

PART No.

CU-741

MATERIAL:

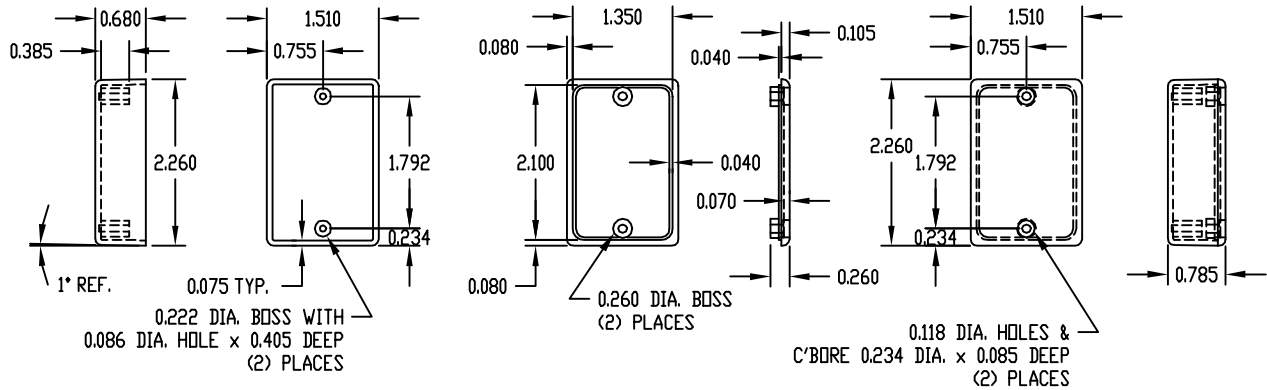
BODY & COVER HIGH-IMPACT POLYSTYRENE

TWO (2) #4 x 0.562" LG SCREWS SUPPLIED FOR ASSEMBLY.

FINISH:

BODY & COVER BLACK TEXTURED

NOTE: ALL DIMENSIONS HAVE ±0.010 TOLERANCE UNLESS OTHERWISE SPECIFIED.



PART NAME

UTILIBOX (STYLE D)

PART No.

CU-741-MB

MATERIAL:

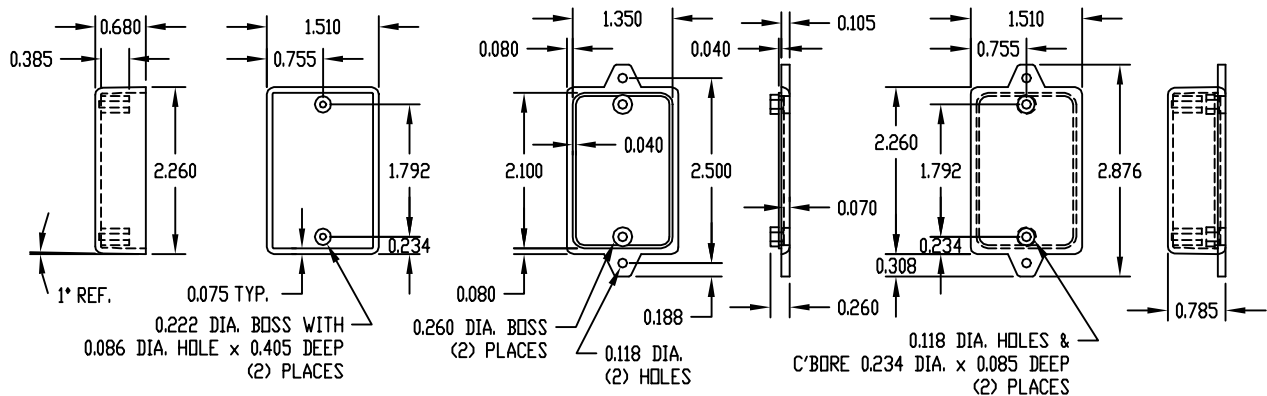
BODY & COVER HIGH-IMPACT POLYSTYRENE

TWO (2) #4 x 0.562" LG SCREWS SUPPLIED FOR ASSEMBLY.

FINISH:

BODY & COVER BLACK TEXTURED

NOTE: ALL DIMENSIONS HAVE ±0.010 TOLERANCE UNLESS OTHERWISE SPECIFIED.



Mouser Electronics

Authorized Distributor

Click to View Pricing, Inventory, Delivery & Lifecycle Information:

[Bud Industries:](#)

[CU-741-MB](#) [CU-741](#)