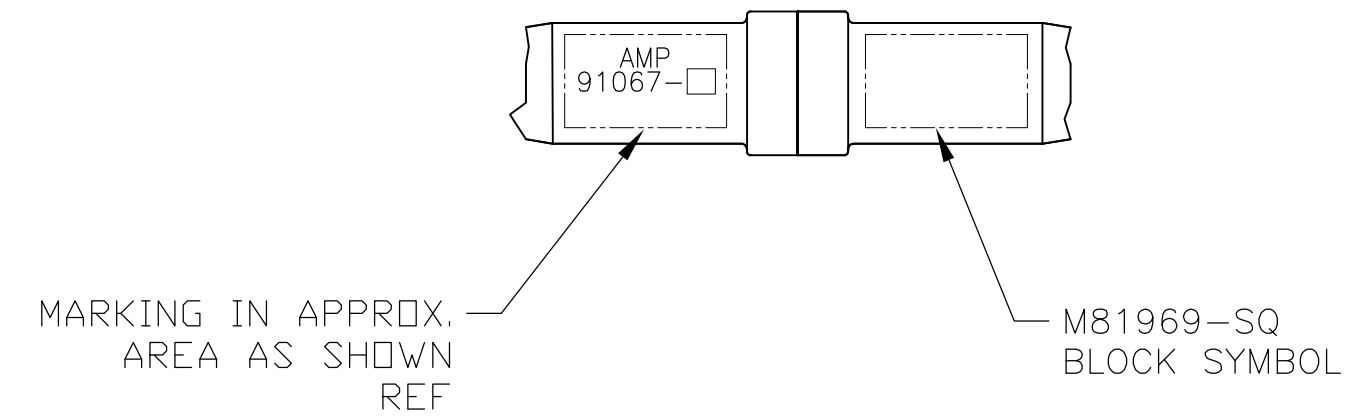
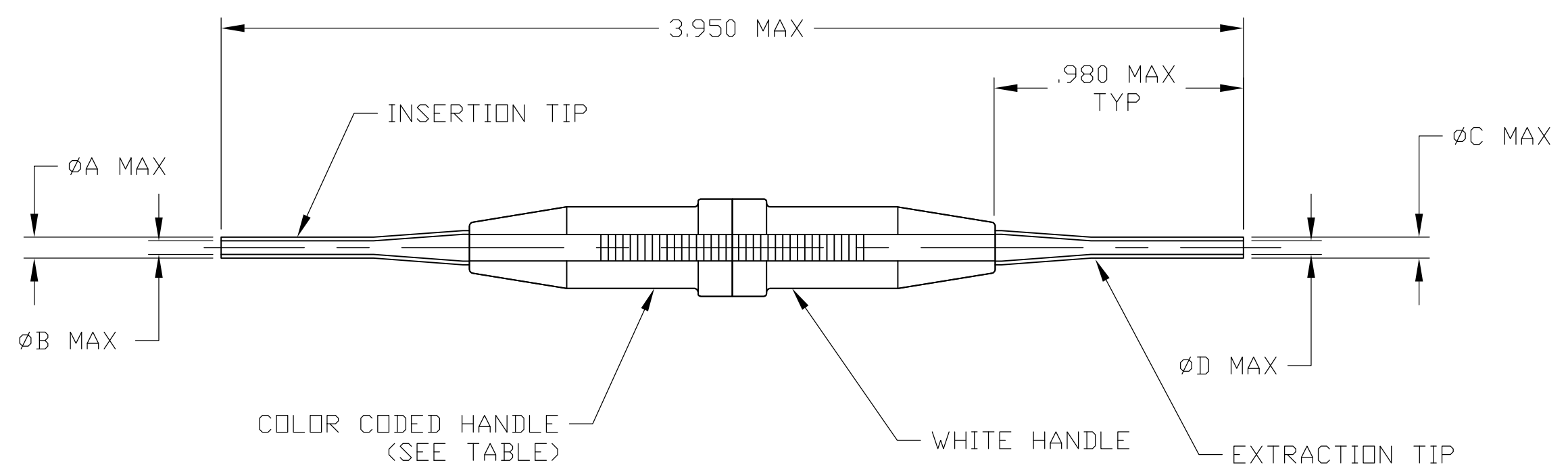


THIS DRAWING IS UNPUBLISHED. RELEASED FOR PUBLICATION N/A ,N/A .
 © COPYRIGHT N/A By - ALL RIGHTS RESERVED.

LOC	DIST	REVISIONS					
DF	AO	P	LTR	DESCRIPTION	DATE	DWN	APVD
		E1		REVISED PER ECO-11-005030	11MAR11	RK	HMR



1. FOR CORRECT TOOL USAGE SEE INSTRUCTION SHEET: I. S. 408-7508

M81969/1-02	.072	.087	.072	.085	RED	20	91067-2
M81969/1-04	.053	.065	.056	.065	GREEN	22	91067-1
MILITARY PART NO. REF	DIM D	DIM C	DIM B	DIM A	COLOR CODE	SIZE	PART NUMBER

THIS DRAWING IS A CONTROLLED DOCUMENT.

DIMENSIONS: INCHES	TOLERANCES UNLESS OTHERWISE SPECIFIED:	DWN C.C.THOMAS 08AUG2002	STE TE Connectivity
	0 PLC ± -	CHK S.GLATFELTER 8-12-02	
	1 PLC ± -	APVD S.GLATFELTER 8-12-02	
MATERIAL PLASTIC & STEEL	FINISH NICKEL PLATED	NAME	

PRODUCT SPEC: - APPLICATION SPEC: - WEIGHT: -

SIZE	CAGE CODE	DRAWING NO	RESTRICTED TO
A3	00779	C-91067	-

CUSTOMER DRAWING SCALE 2:1 SHEET 1 OF 1 REV E1

Mouser Electronics

Authorized Distributor

Click to View Pricing, Inventory, Delivery & Lifecycle Information:

[TE Connectivity:](#)

[91067-2](#)