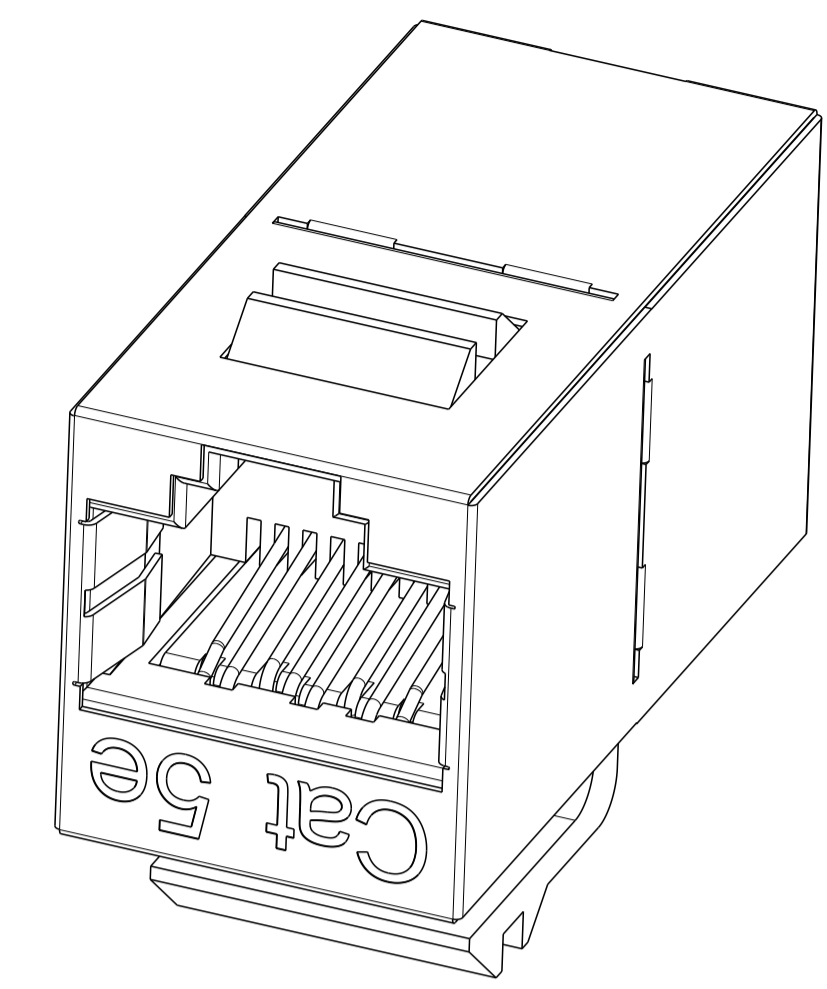
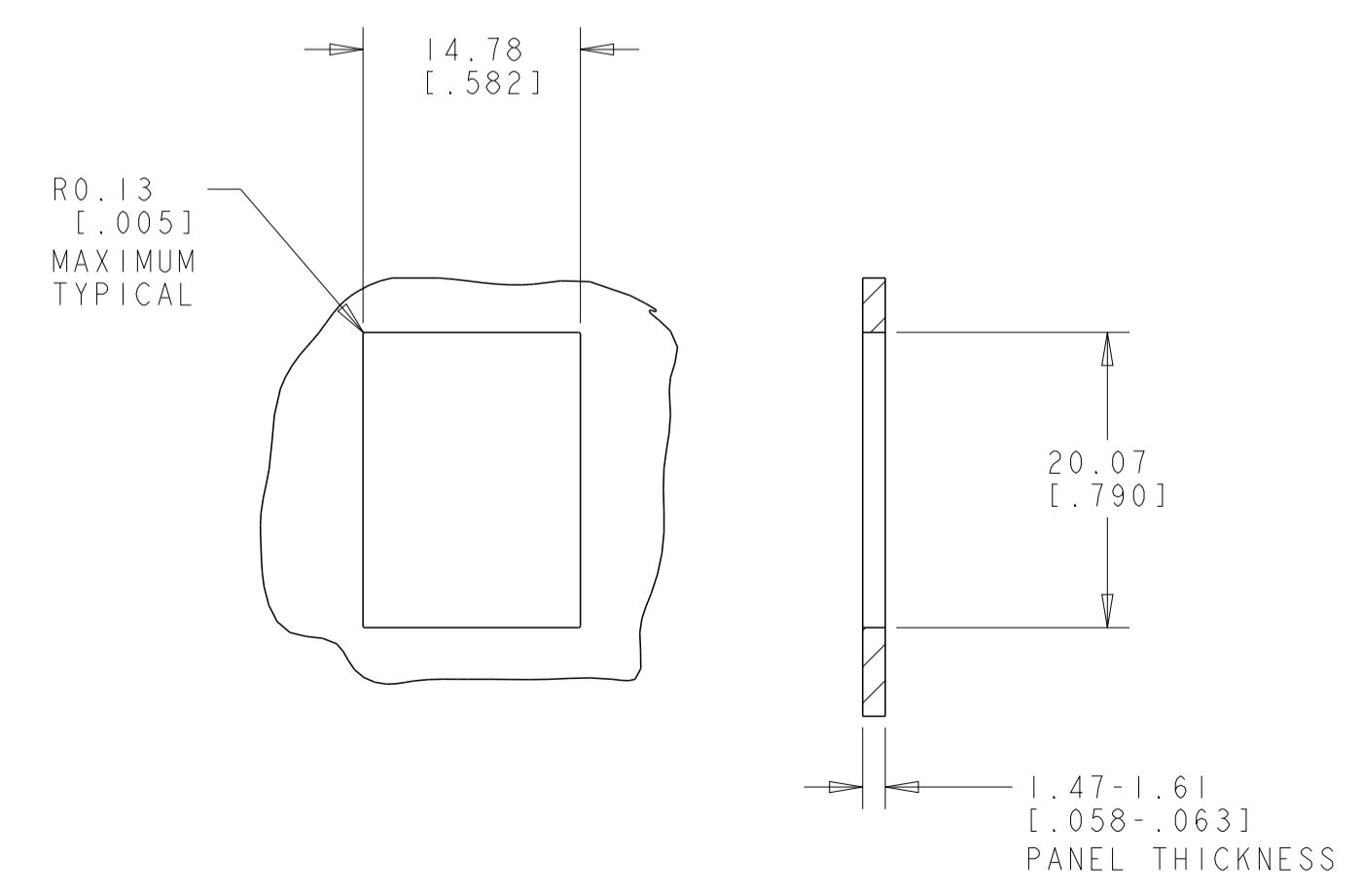
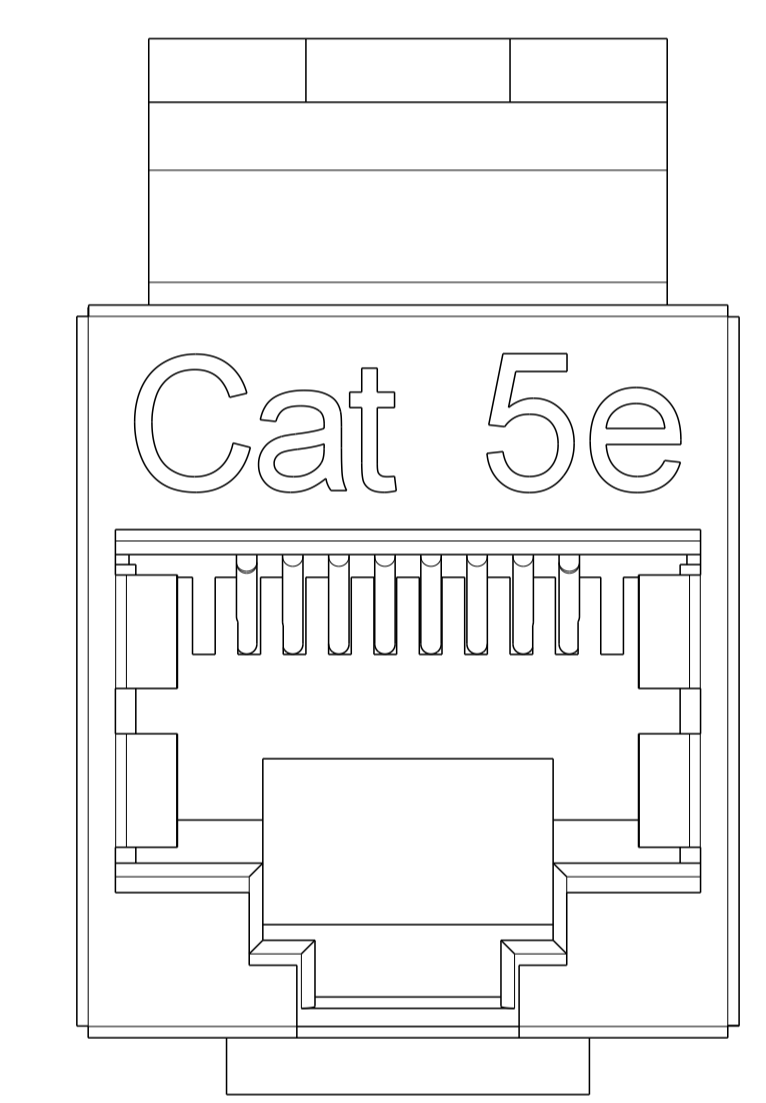
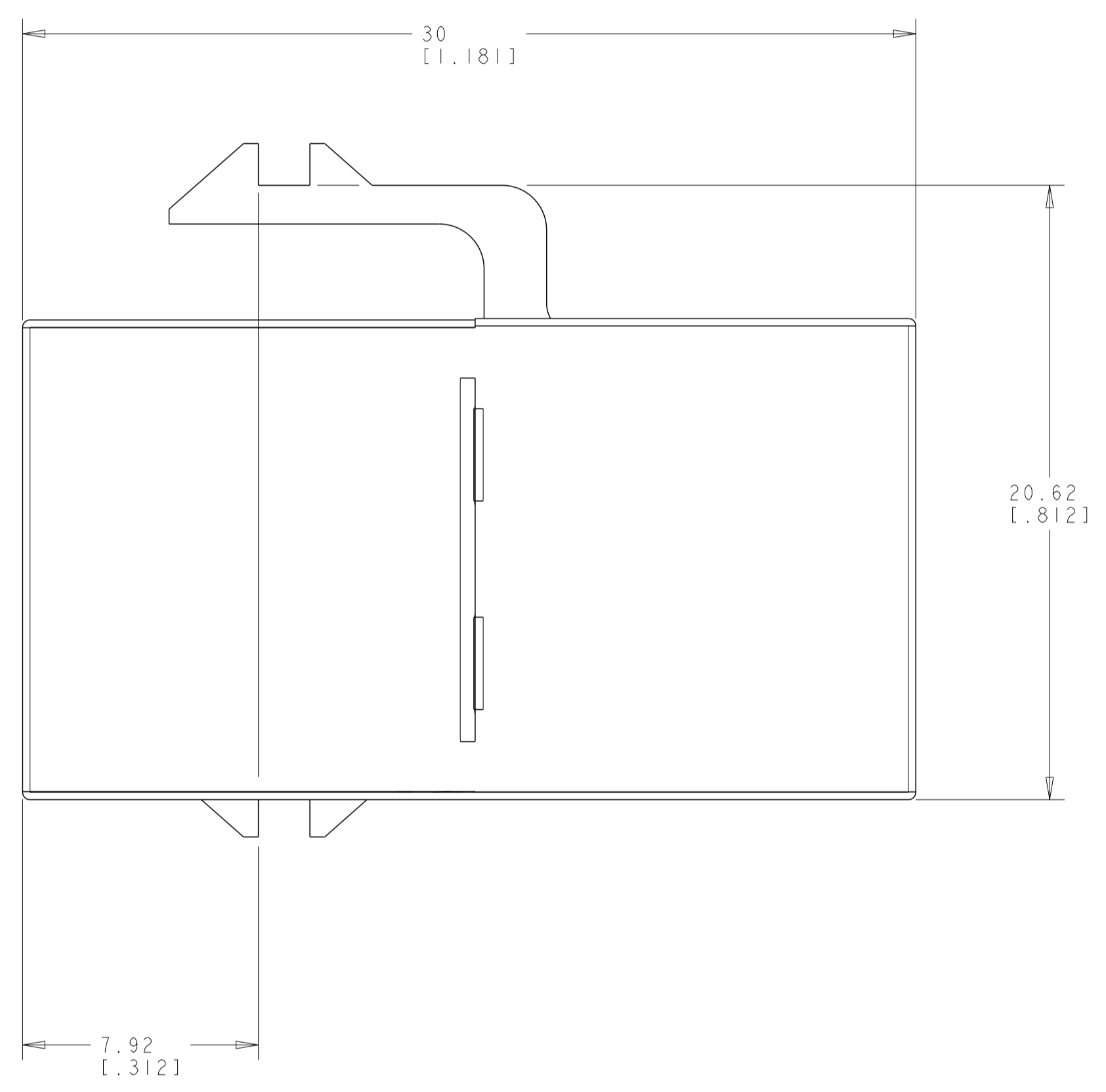
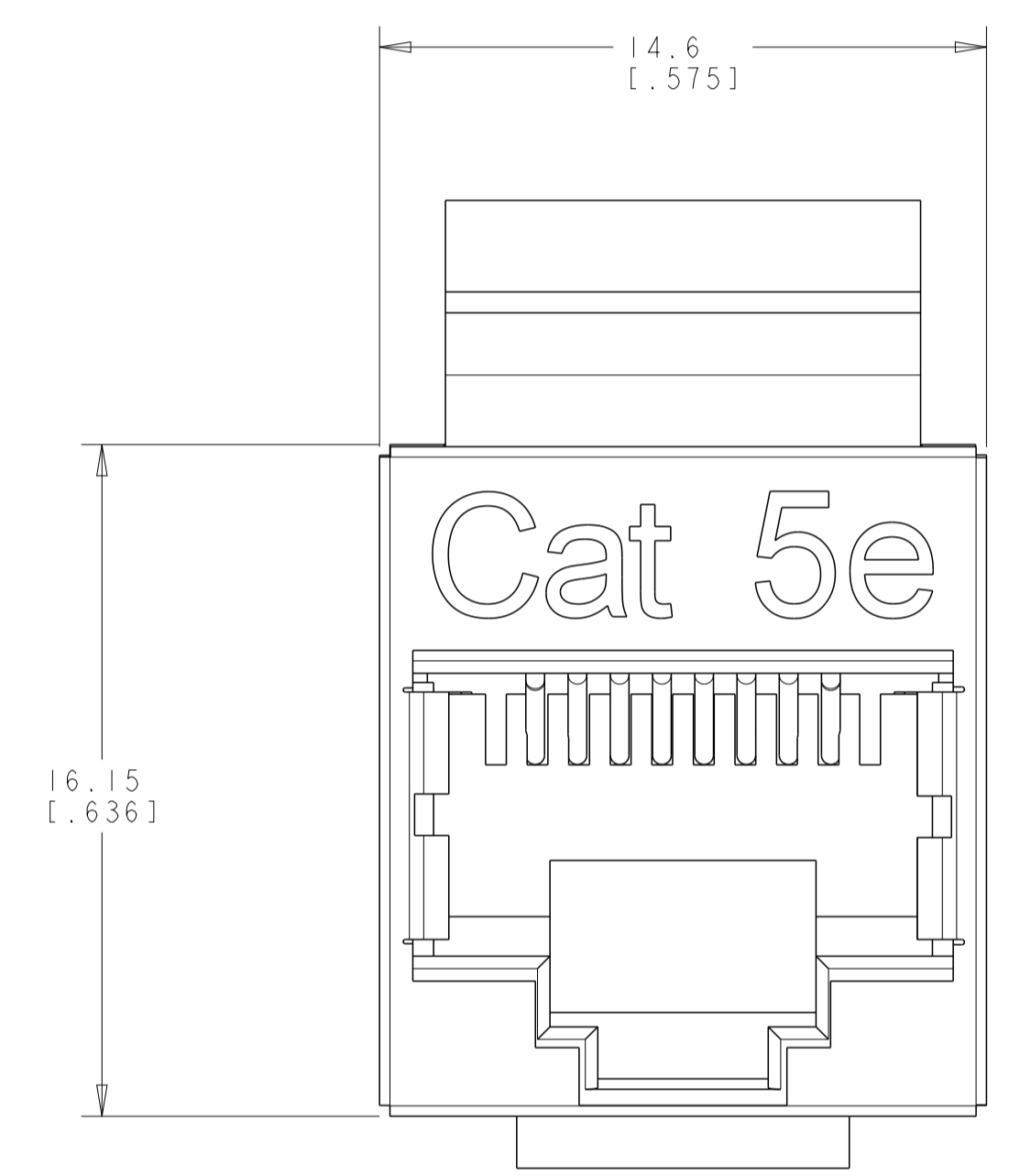


REVISIONS				
P	LTN	DESCRIPTION	DATE	APPD
A	RLSD;	ECO-09-027567	14DEC2009	GG RA
B	REV:	40024240MCO	19AUG2015	GG RA

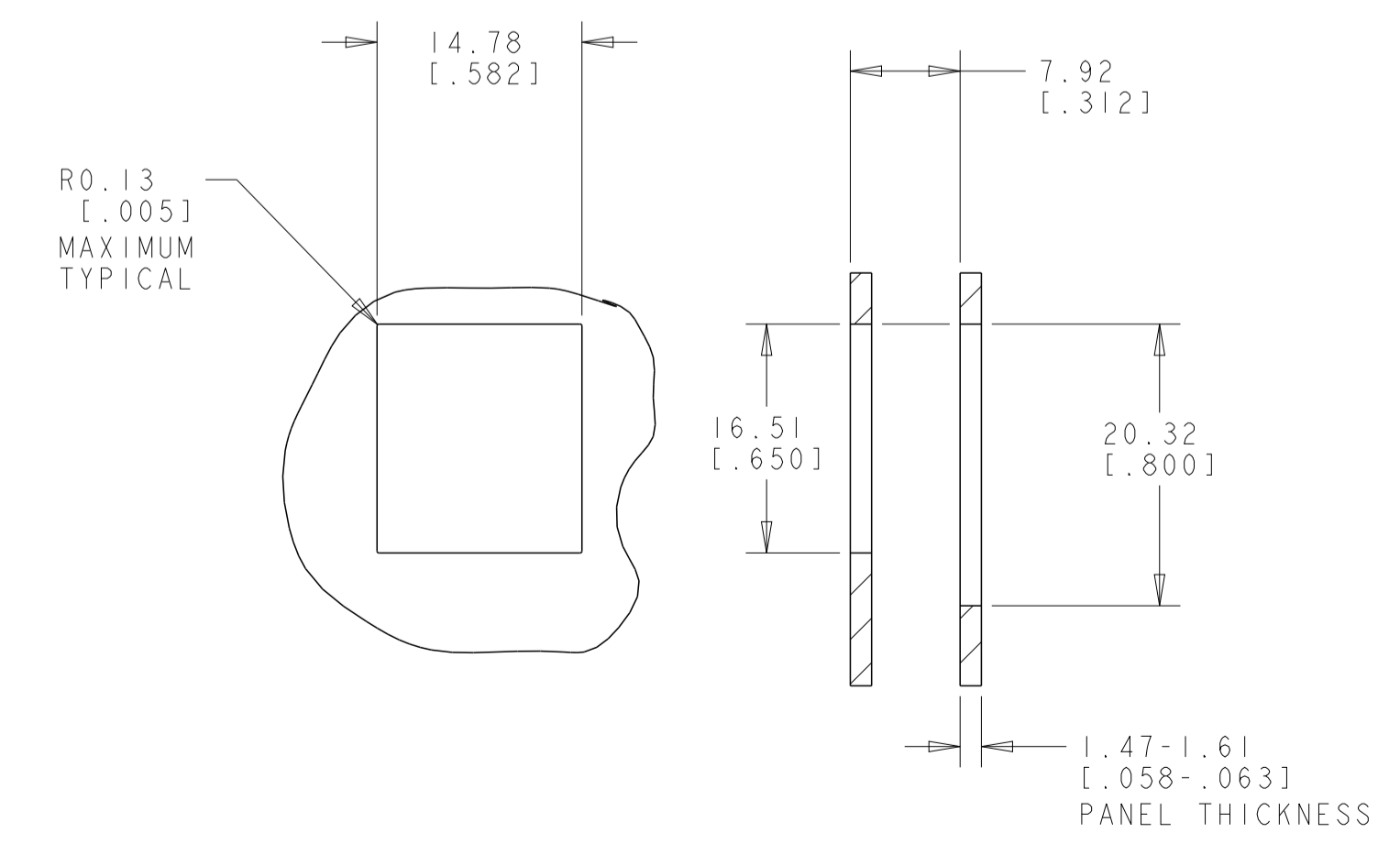


SCALE 4:1

- 1. ALL DIMENSIONS SHOWN ARE NOMINAL UNLESS OTHERWISE SPECIFIED.
- 2. MATERIAL:  
 SHIELDED CASE - COPPER C2680, T=0.25MM, 30u" NICKEL PLATED  
 COUPLER HOUSING - ABS HIGH-IMPACT UL94V-0 THERMOPLASTIC  
 CONTACTS - PHOSPHOR BRONZE, 50u" GOLD OVER 50u" NICKEL UNDERCOAT.
- 3. MOUNTING PANEL THICKNESS .062 [1.57] NOMINAL.



SINGLE PANEL CUTOUT



SUGGESTED FLUSH MOUNT  
 PANEL APPLICATION CUTOUT

2111122-1  
 PART NUMBER

THIS DRAWING IS A CONTROLLED DOCUMENT.		DWN G. GARRETT	18NOV2009	TE Connectivity
DIMENSIONS: INCHES [MM]		CHK R. ASHBY	18NOV2009	
TOLERANCES UNLESS OTHERWISE SPECIFIED: 0 PLC ± 1 PLC ± 2 PLC ± 3 PLC ± 4 PLC ± ANGLES ± FINISH ±		APPD R. ASHBY	18NOV2009	NAME COUPLER, SL, INLINE, CAT5E, SHIELDED
MATERIAL		WEIGHT		SIZE A100779
Customer Drawing		SCALE 6:1		RESTRICTED TO SHEET 1 OF 1 REV B

# Mouser Electronics

Authorized Distributor

Click to View Pricing, Inventory, Delivery & Lifecycle Information:

[TE Connectivity Divested:](#)

[2111122-1](#)