

THIS DRAWING IS UNPUBLISHED.

RELEASED FOR PUBLICATION

20

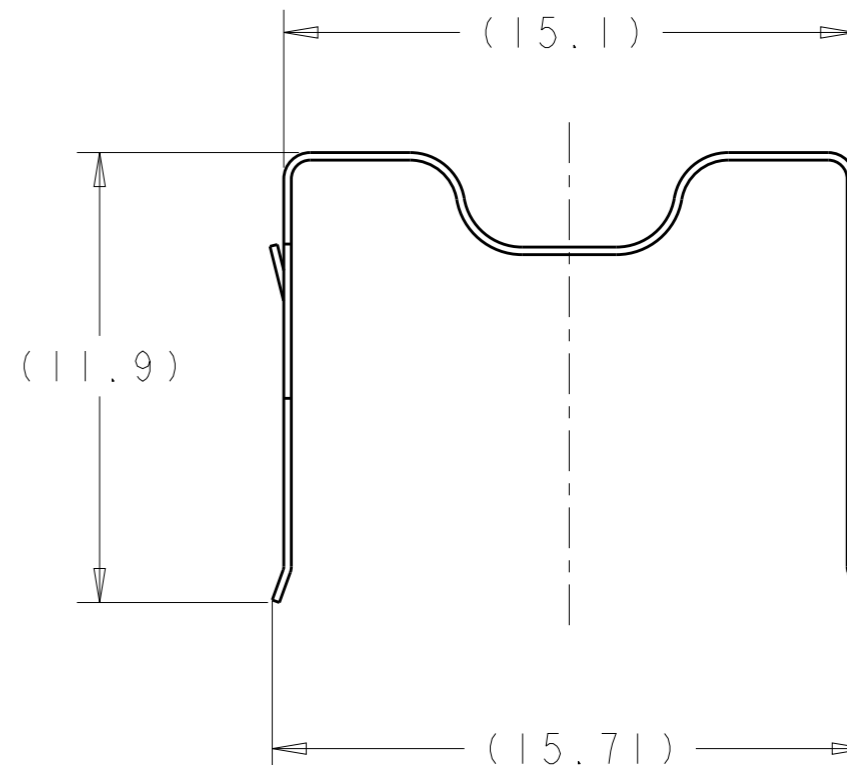
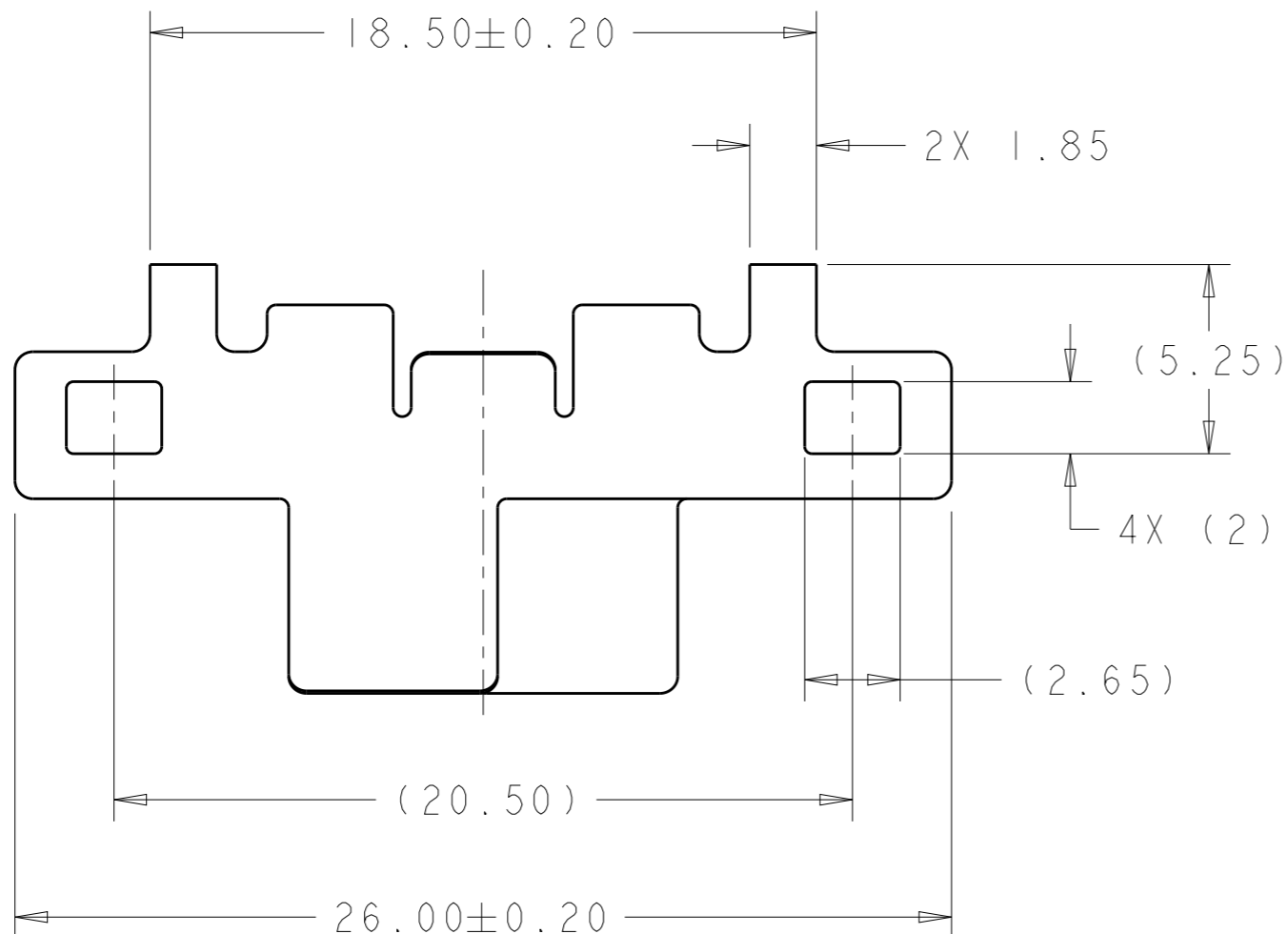
© COPYRIGHT 20 BY -

ALL RIGHTS RESERVED.

LOC GP DIST 00

REVISIONS

P	LTR	DESCRIPTION	DATE	DWN	APVD
	C	REVISED PER ECO-12-009760	14MAY2012	JJ	AC
	C1	REVISED PER ECO-14-000741	16JAN2014	PP	SH
	C2	REVISED PER ECO-15-001048	22JAN2015	PP	SH



TRAY	1367646-4
BAG	1367646-1
PACKAGE	PART NUMBER

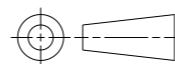
THIS DRAWING IS A CONTROLLED DOCUMENT.

DWN P. KERLIN 11MAY2006  
 CHK E. BRIGHT 11MAY2006  
 APVD E. BRIGHT 11MAY2006

**STE** TE Connectivity

DIMENSIONS: mm

TOLERANCES UNLESS OTHERWISE SPECIFIED:



0 PLC ±-  
 1 PLC ±-  
 2 PLC ±0.10  
 3 PLC ±-  
 4 PLC ±-  
 ANGLES ±-

MATERIAL STAINLESS STEEL

FINISH -

PRODUCT SPEC -

APPLICATION SPEC 114-13178

WEIGHT - Customer Drawing

NAME HEAT SINK CLIP, DWDM SFP

SIZE A3	CAGE CODE 00779	DRAWING NO C-1367646	RESTRICTED TO -
---------	-----------------	----------------------	-----------------

SCALE 2:1 SHEET 1 OF 3 REV C2

4

3

2

1

THIS DRAWING IS UNPUBLISHED.

RELEASED FOR PUBLICATION

20

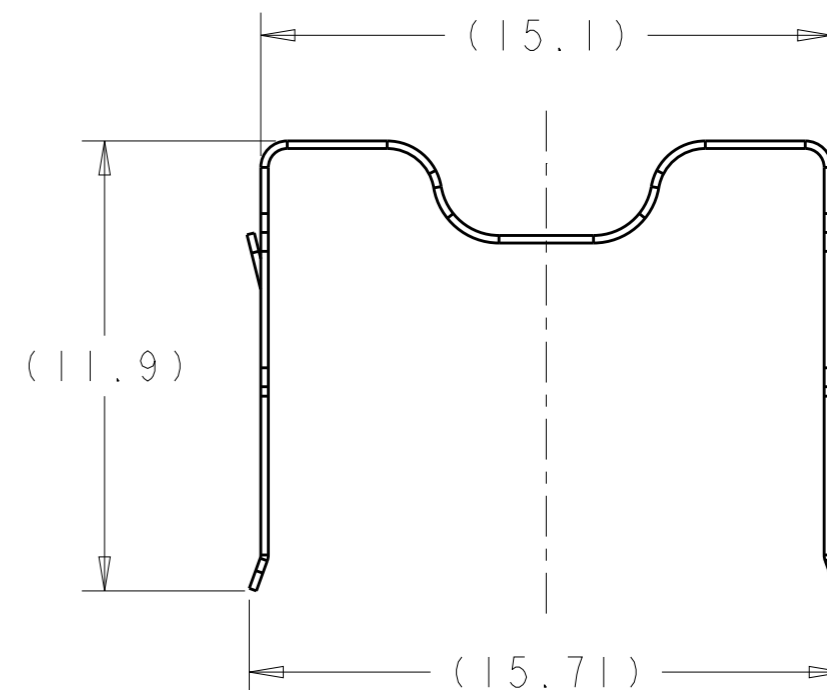
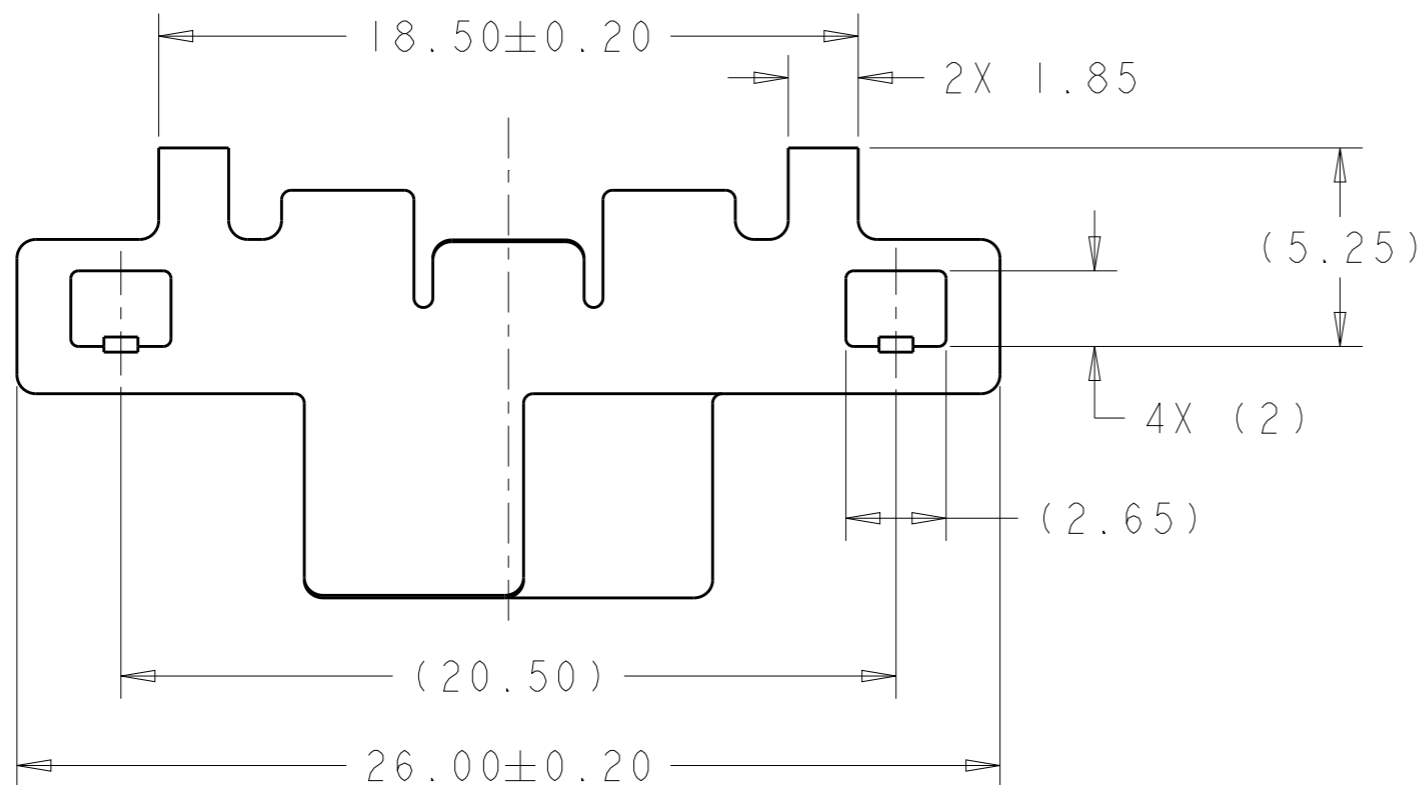
© COPYRIGHT 20 BY -

ALL RIGHTS RESERVED.

LOC GP DIST 00

REVISIONS

P	LTR	DESCRIPTION	DATE	DWN	APVD



TRAY	1367646-8
PACKAGE	PART NUMBER

THIS DRAWING IS A CONTROLLED DOCUMENT.

DIMENSIONS:  
mm



TOLERANCES UNLESS OTHERWISE SPECIFIED:

- 0 PLC ± -
- 1 PLC ± -
- 2 PLC ± 0.10
- 3 PLC ± -
- 4 PLC ± -
- ANGLES ± -

MATERIAL -

FINISH -

DWN P. KERLIN 11MAY2006

CHK E. BRIGHT 11MAY2006

APVD F. BRIGHT 11MAY2006

PRODUCT SPEC -

APPLICATION SPEC 114-13178

WEIGHT -

Customer Drawing

NAME HEAT SINK CLIP, DWDM SFP

SIZE A3 CAGE CODE 00779 DRAWING NO 1367646 RESTRICTED TO -

SCALE 2:1 SHEET 2 OF 3 REV C2

4

3

2

1

THIS DRAWING IS UNPUBLISHED.

RELEASED FOR PUBLICATION

20

© COPYRIGHT 20 BY -

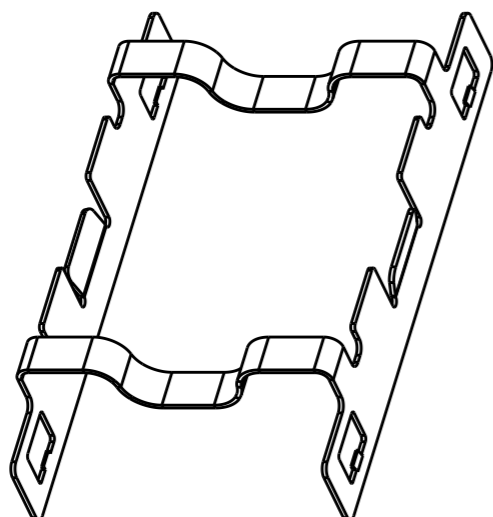
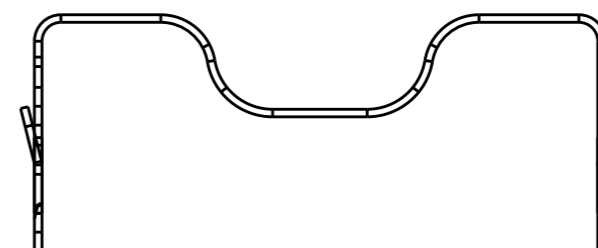
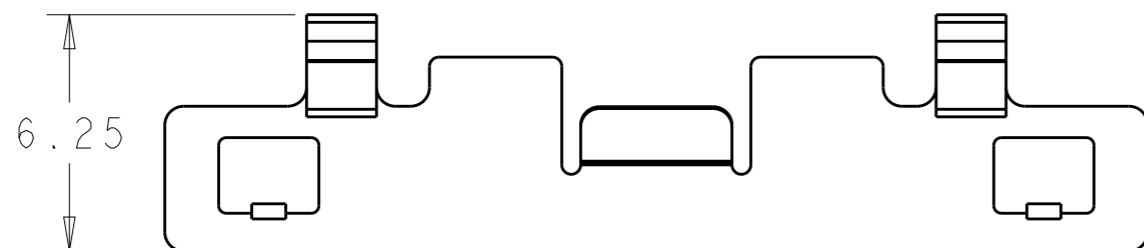
ALL RIGHTS RESERVED.

LOC  
GP DIST  
00

REVISIONS

P	LTR	DESCRIPTION	DATE	DWN	APVD
-		SEE SHEET 1	-	-	-

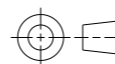
PART NUMBER: 1-1367646-0  
UNSPECIFIED DIMENSIONS REFER TO PN 1367646-8



TRAY	1-1367646-0
PACKAGE	PART NUMBER

THIS DRAWING IS A CONTROLLED DOCUMENT.

DIMENSIONS:  
mm



TOLERANCES UNLESS OTHERWISE SPECIFIED:

- 0 PLC ±-
- 1 PLC ±-
- 2 PLC ±0.10
- 3 PLC ±-
- 4 PLC ±-
- ANGLES ±-

MATERIAL -

FINISH -

DWN P. KERLIN 11MAY2006

CHK E. BRIGHT 11MAY2006

APVD E. BRIGHT 11MAY2006

PRODUCT SPEC -

APPLICATION SPEC 114-13178

WEIGHT -

Customer Drawing

**STE** TE Connectivity

NAME HEAT SINK CLIP, DWDM SFP

SIZE	CAGE CODE	DRAWING NO	RESTRICTED TO
------	-----------	------------	---------------

A3 00779 C-1367646

SCALE	SHEET	OF	REV
5:1	3	3	C2