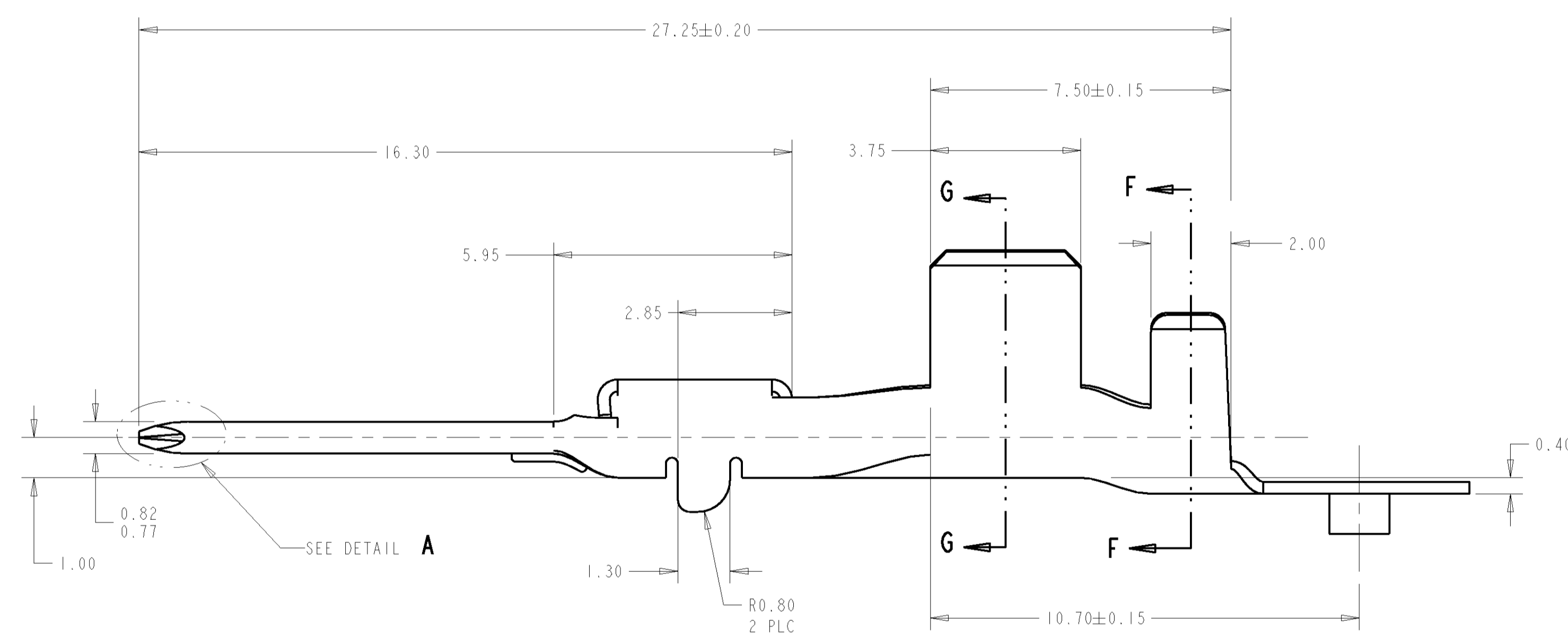
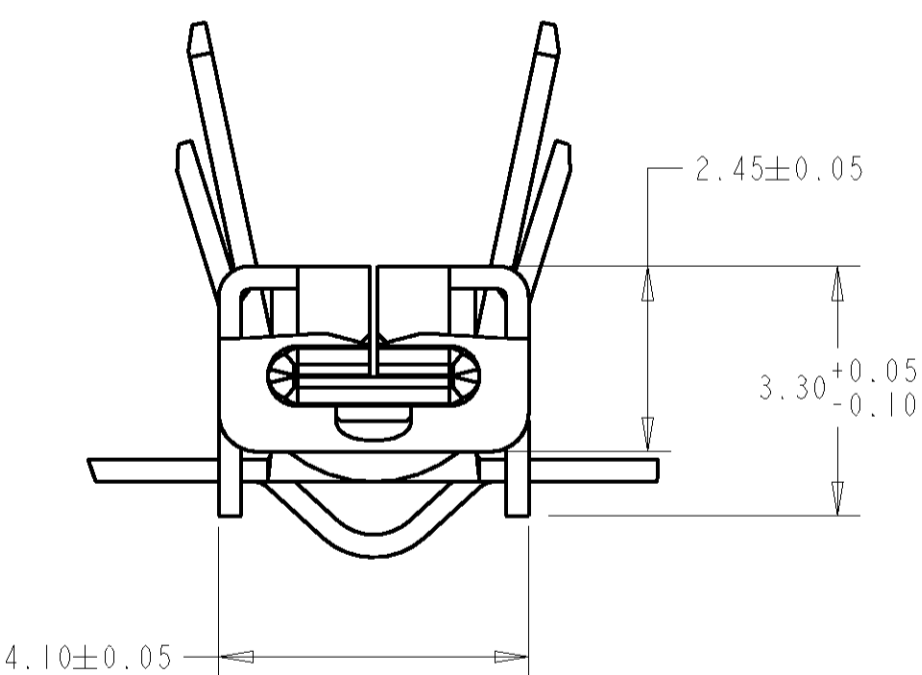
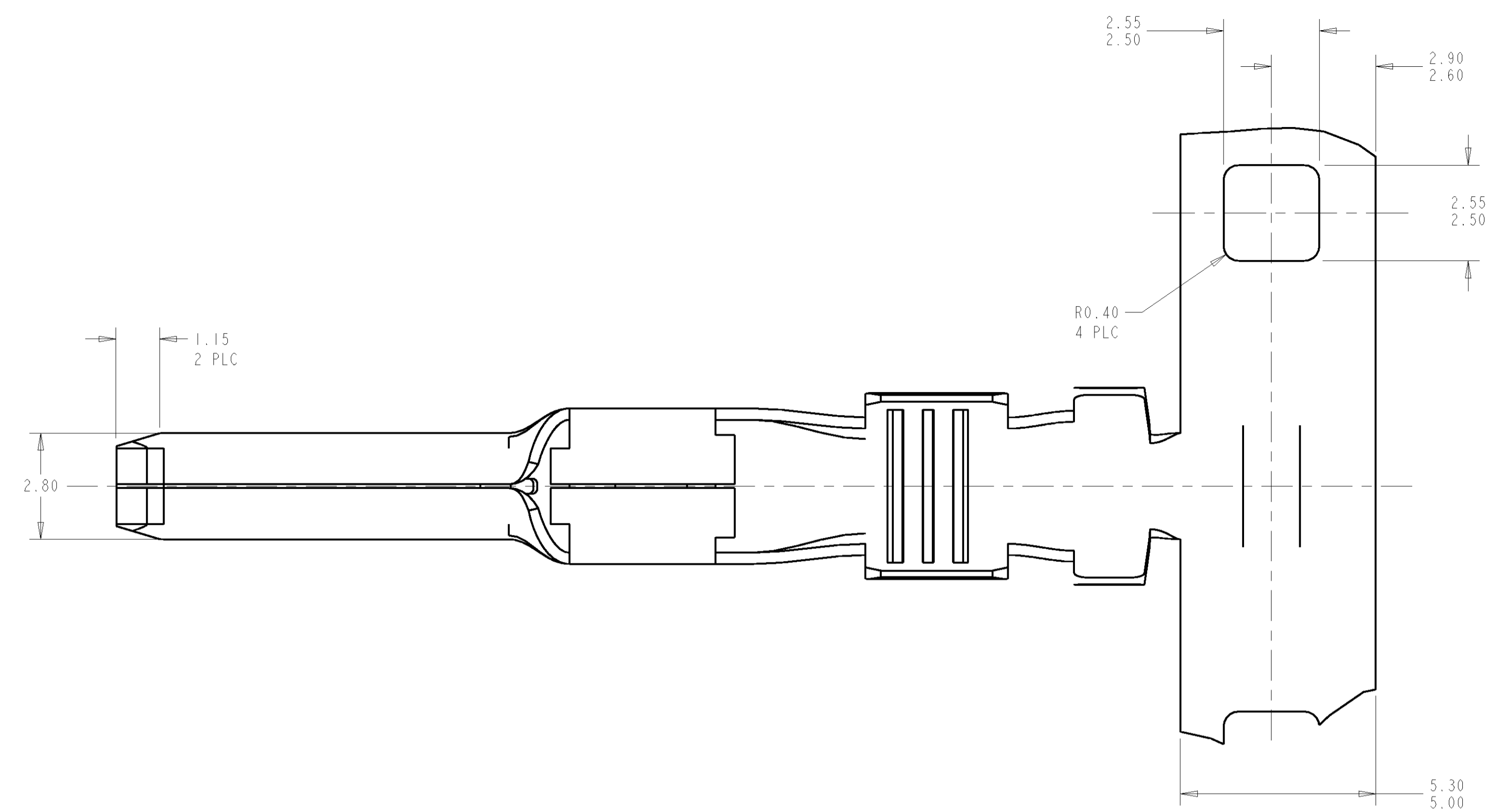
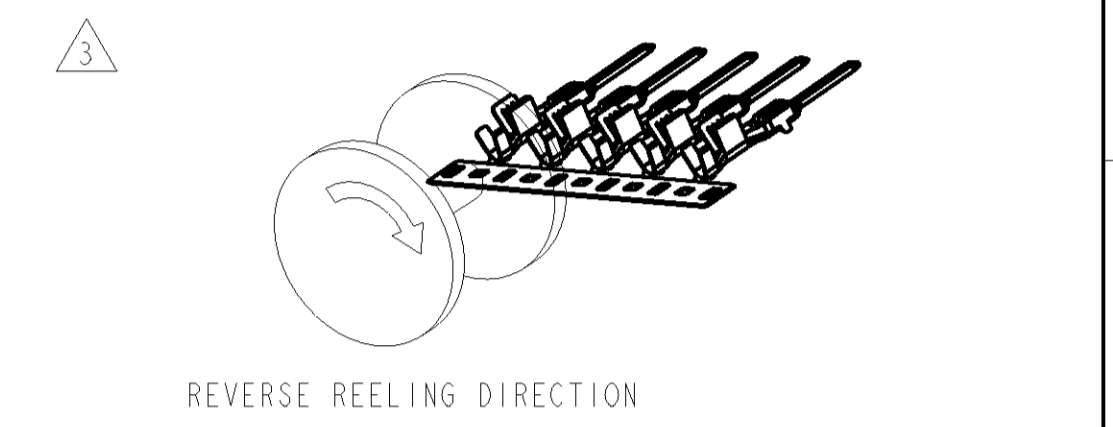
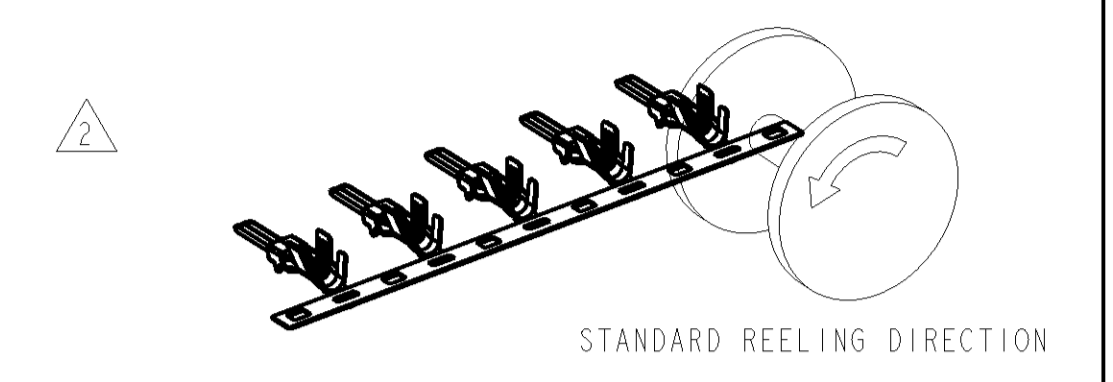


DUAL CRIMP TABLE	
PART NO	WIRE SIZE
1326029-9 AND 1-1326029-1	0.35+0.35
	0.35+0.5
	0.35+0.75
	0.35+1.0
	0.5+0.5
1-1326029-0 AND 1-1326029-2	0.5+0.75
	0.35+1.5
	0.5+1.0
	0.5+1.5
	0.75+0.75
0.75+1.0	
0.75+1.5	
1.0+1.0	
1.0+1.5	

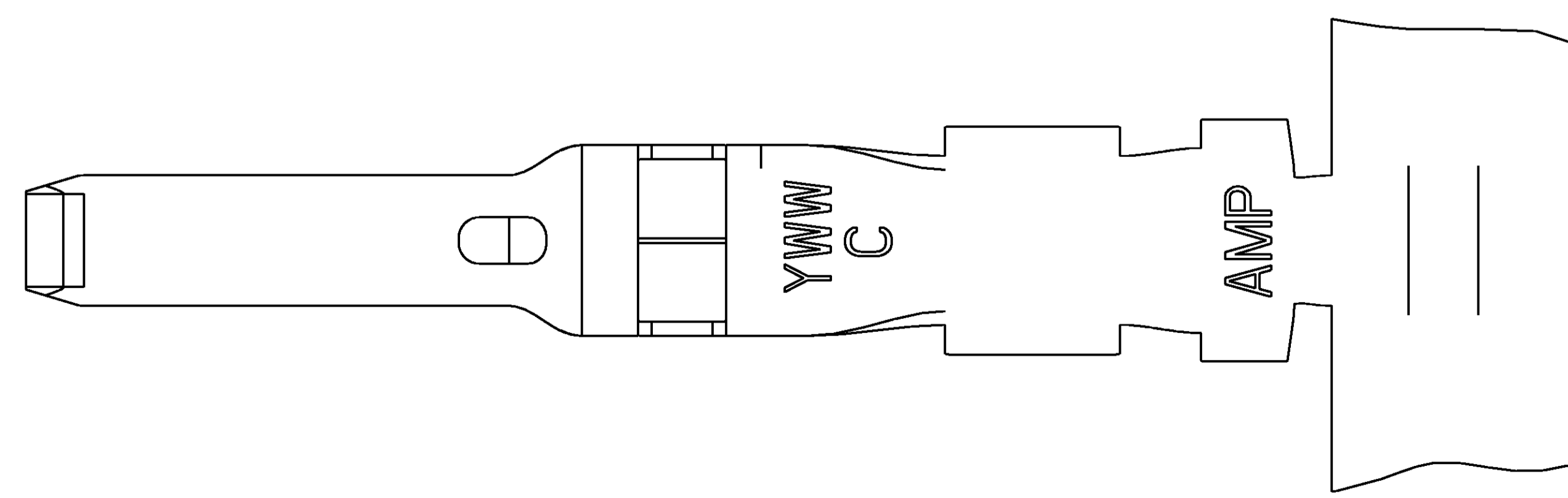
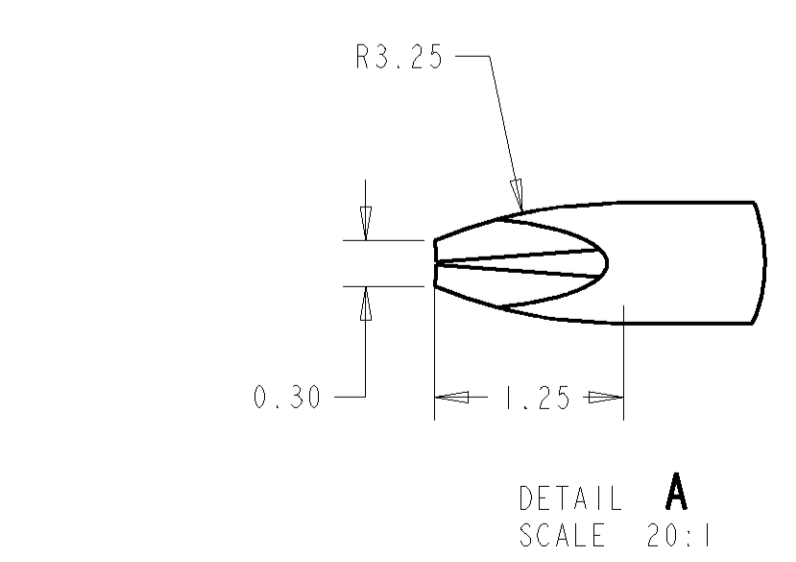
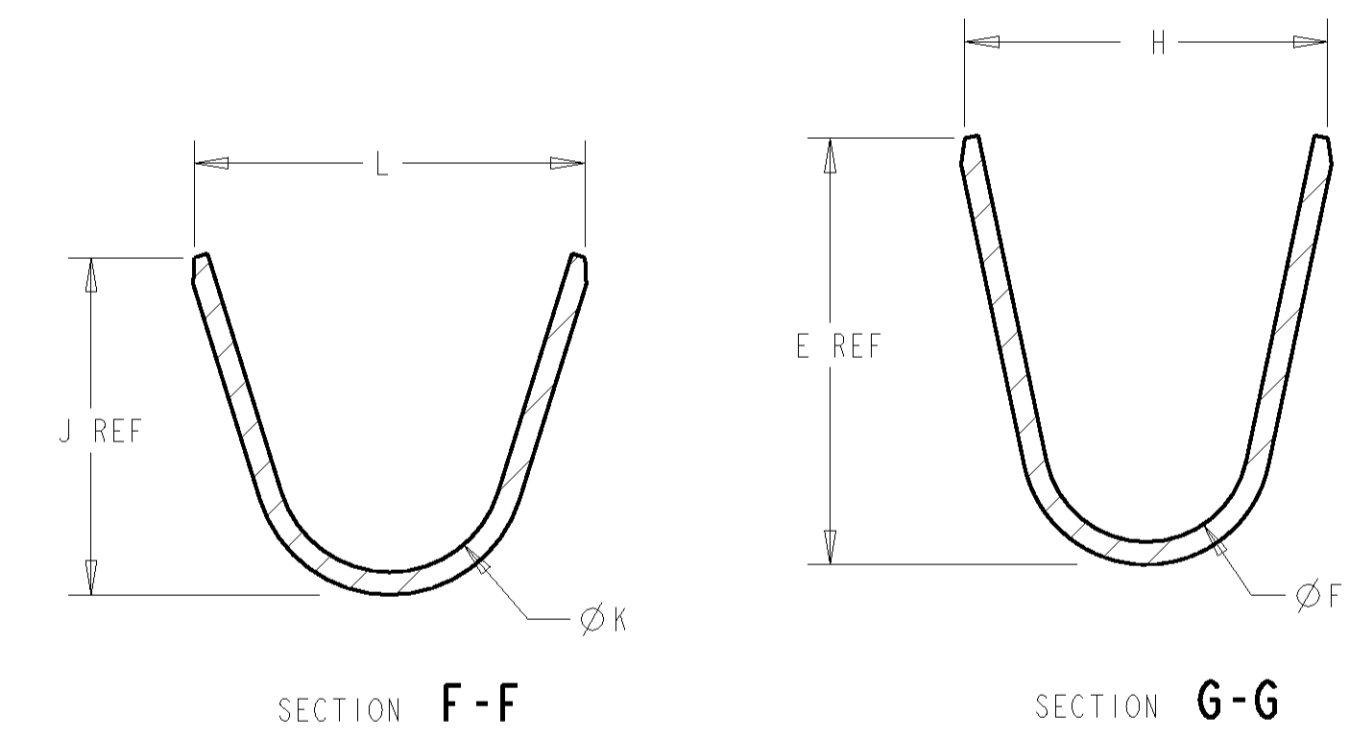


LOC	DISC	REV	DESCRIPTION	DATE	OWN	APVD
GE	00	G	REVISED PER ECR 05-003800	17NOV2005	DLD	JLT
		G1	REVISED PER ECR 05-017194	23DEC2005	DLD	JLT

△ MATERIAL: 0.30 THICK COPPER ALLOY, PREPLATED WITH 0.0008 MINIMUM THICK MATTE TIN (ELV COMPLIANT).



5. QUALIFICATION OF THE CRIMP APPLICATION TOOLING SHALL BE CONTROLLED BY THE REQUIREMENTS ESTABLISHED UNDER USCAR 21.
 6. LOOSE END SPLICING TO BE USED.



REELING	L	ØK	J	H	ØF	E	WIRE SIZE	PART NO.
△	1-1326029-0 REELED FOR AMP APPLICATOR						REFERENCE DUAL CRIMP TABLE	1-1326029-2
	1326029-9 REELED FOR AMP APPLICATOR						REFERENCE DUAL CRIMP TABLE	1-1326029-1
△	4.6	1.80	5.35	3.9	1.70	3.88	REFERENCE DUAL CRIMP TABLE	1-1326029-0
	3.6	1.40	4.32	3.3	1.30	2.76	REFERENCE DUAL CRIMP TABLE	1326029-9
△	1326029-4 REELED FOR AMP APPLICATORS						12 AWG	1326029-8
	1326029-3 REELED FOR AMP APPLICATORS						14-16 AWG	1326029-7
	1326029-2 REELED FOR AMP APPLICATORS						18-20 AWG	1326029-6
	1326029-1 REELED FOR AMP APPLICATORS						22 AWG	1326029-5
△	5.2	3.20	4.22	4.7	2.70	5.25	12 AWG	1326029-4
	3.8	1.80	3.16	3.9	1.70	3.88	14-16 AWG	1326029-3
	3.1	1.40	2.55	3.3	1.30	2.76	18-20 AWG	1326029-2
	2.6	1.00	2.04	2.5	0.90	2.11	22 AWG	1326029-1

DIMENSIONS:		TOLERANCES UNLESS OTHERWISE SPECIFIED:		DWN D. STRAUSSER 27APR99		AMP Tyco Electronics	
mm	0 PLC ±0.3	1 PLC ±0.10	3 PLC ±0.10	4 PLC ±0.10	ANGLES ±0.5°	Harrisburg, PA 17105-3608	
MATERIAL		FINISH		CHK D. BROWN 27APR99		NAME	
APVD D. BROWN 27APR99		PRODUCT SPEC SAE/USCAR-2 8/97		APPLICATION SPEC		SIZE CAGE CODE DRAWING NO	
114-13013		114-13013		00779		1326029	
CUSTOMER DRAWING		SCALE 10:1		SHEET 1 OF 1		REV G1	

Mouser Electronics

Authorized Distributor

Click to View Pricing, Inventory, Delivery & Lifecycle Information:

[TE Connectivity:](#)

[1326029-8](#)