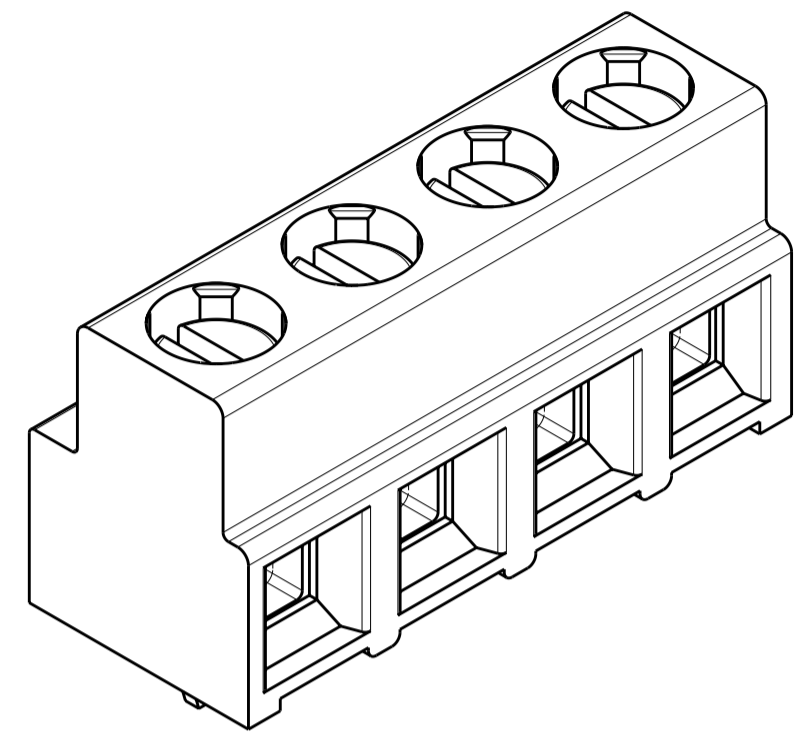
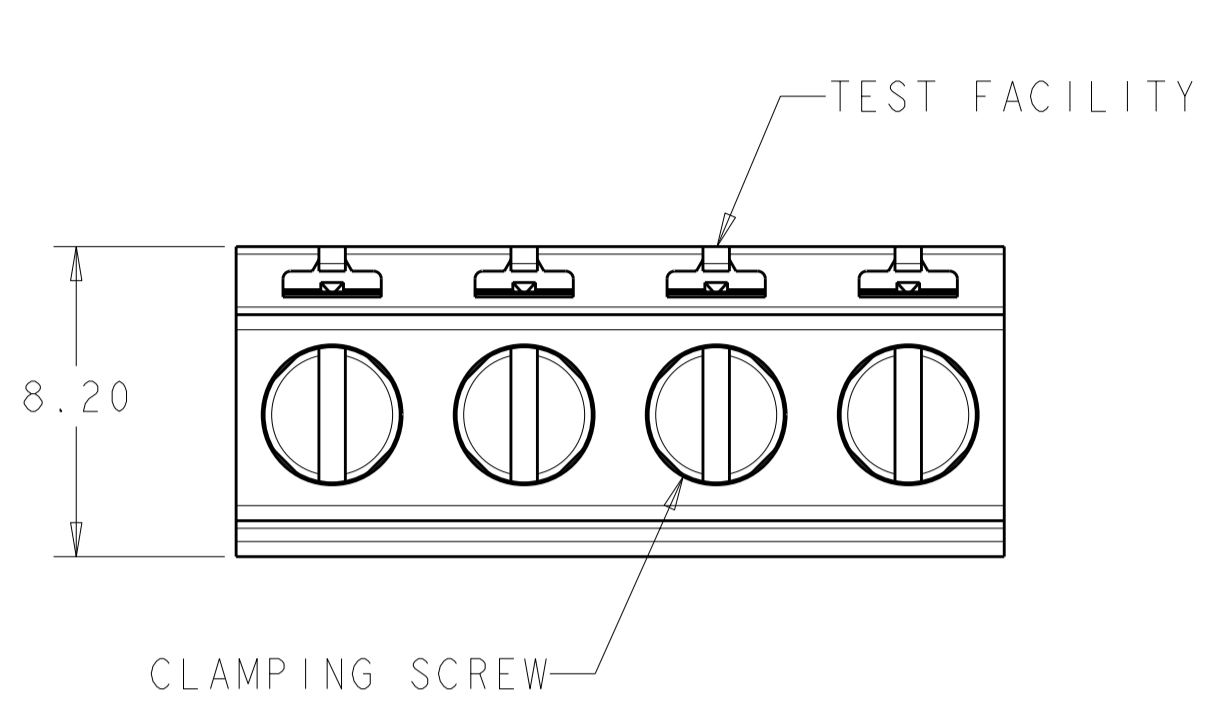
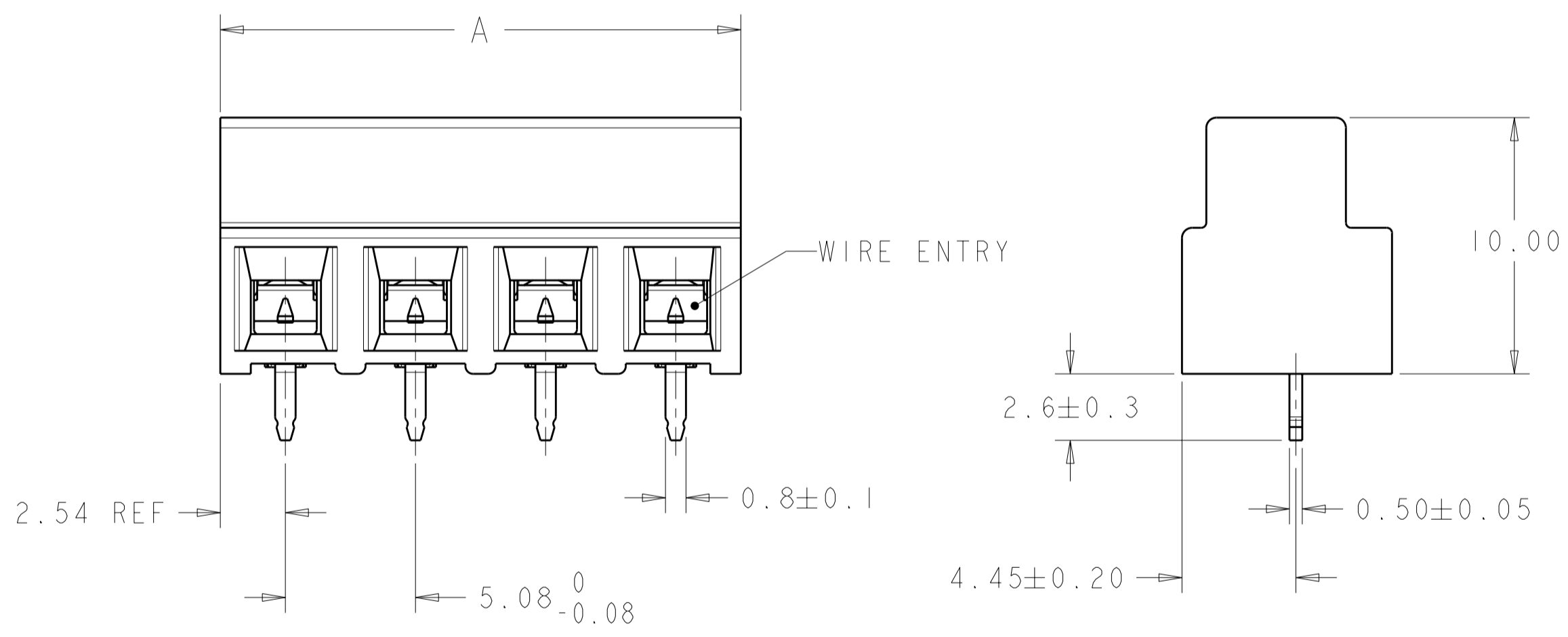


THIS DRAWING IS UNPUBLISHED. RELEASED FOR PUBLICATION 20
 © COPYRIGHT 20 BY - ALL RIGHTS RESERVED.

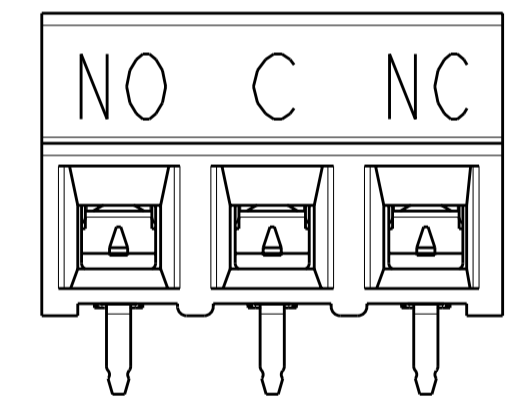
REVISIONS					
P	LTR	DESCRIPTION	DATE	DWN	APVD
B6		REVISED PER ECO-12-009418	17MAY2012	KH	MS



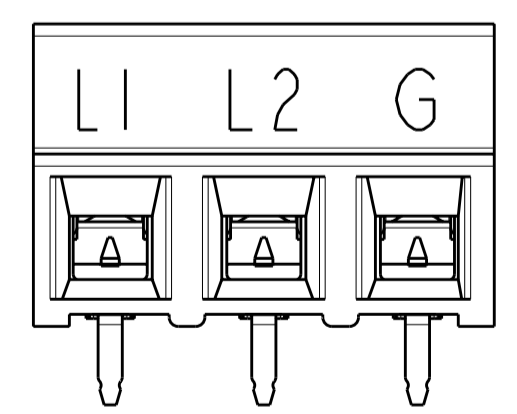
1776119-4 AS SHOWN



- MATERIAL AND FINISH
 HOUSING: HIGH TEMPERATURE POLYAMIDE, UL 94V-0 RATED, COLOR: BLACK
 CLAMP: BRASS, NICKEL PLATED.
 TERMINAL: BRASS, TIN PLATED.
 CLAMPING SCREW: M3, BRASS, NICKEL PLATED.
 - SUITABLE FOR 1.6-2.4mm PC BOARD THICKNESS
 - END-TO-END STACKABLE WITHOUT LOSS OF CENTERLINE SPACING.
 - WIRE SIZE RANGE: 16-30 AWG.
 - RECOGNIZED UNDER THE COMPONENT PROGRAM OF UNDERWRITERS LABORATORIES IN.. FILE NO. E60677.
 - IMQ CERTIFICATE WITH SURVEILLANCE IN CONFORMITY WITH IEC 998-1/998-2-1.
- △ PERMANENT INK MARKING, WHITE.

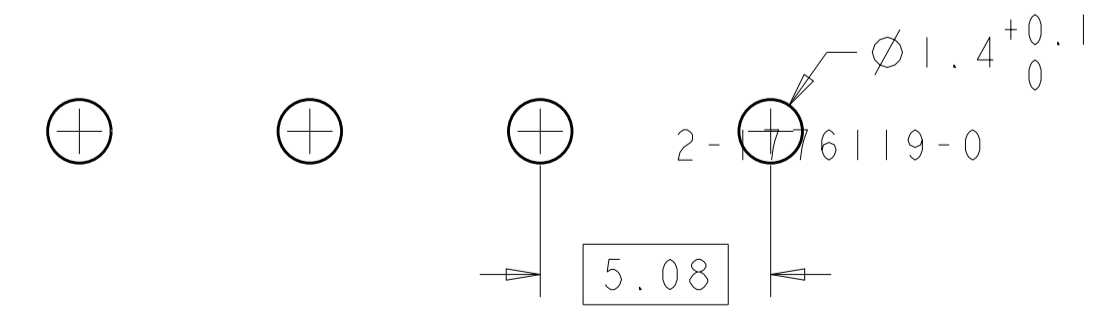


2-1776119-0



2-1776119-1

△	15.24 ⁺⁰ _{-0.22}	3	2-1776119-1
△	15.24 ⁺⁰ _{-0.22}	3	2-1776119-0
	30.48 ⁺⁰ _{-0.45}	6	1776119-6
	25.40 ⁺⁰ _{-0.38}	5	1776119-5
	20.32 ⁺⁰ _{-0.30}	4	1776119-4
	15.24 ⁺⁰ _{-0.22}	3	1776119-3
	10.16 ⁺⁰ _{-0.16}	2	1776119-2
	A	NO OF POSN	PART NUMBER



RECOMMENDED PC BOARD LAYOUT

THIS DRAWING IS A CONTROLLED DOCUMENT.		DWN S. WELDON 19NOV2008	TE Connectivity	
DIMENSIONS: mm		CHK C. RICHARD 19NOV2008		
TOLERANCES UNLESS OTHERWISE SPECIFIED:		APVD C. RICHARD 19NOV2008	NAME	
0 PLC ±-	1 PLC ±.2	PRODUCT SPEC	TERMINAL BLOCK ASSEMBLY, PCB MOUNT, STACKING, SIDE WIRE ENTRY, 5.08mm PITCH	
2 PLC ±.15	3 PLC ±0.000	APPLICATION SPEC	SIZE	CAGE CODE
4 PLC ±0.0000	ANGLES ±2°	FINISH	A2	00779
MATERIAL		WEIGHT	DRAWING NO	RESTRICTED TO
			C-1776119	-
		CUSTOMER DRAWING	SCALE 4:1	SHEET 1 OF 1
			REV B6	

Mouser Electronics

Authorized Distributor

Click to View Pricing, Inventory, Delivery & Lifecycle Information:

[TE Connectivity:](#)

[1776119-6](#)